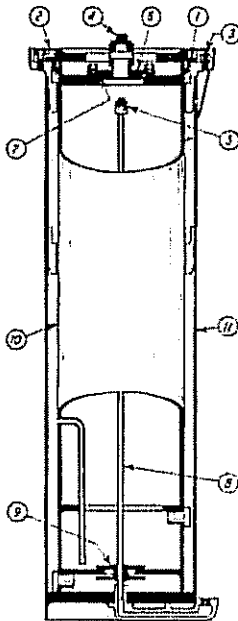


# FP46A MK II

## SWINGING ARM FRAME PICK-UP LIFT Jack Parts

Lift Models: FP46A & H and FP46A & H Mark II, Mark III, Mark V Jack Serial Numbers Ending in JK187 and Up

ITEM NO.	PART	PART NO.	FOR JACK MODEL	PRICE LIST INDEX
1	Hydra Seal	*J134	JK187 thru JK1107 Jack	2.1
		JK227	JK1113 & up	
2	Seal Gland	*N/A	JK187 thru JK1107 Jack	2.1
		JK622	JK1113 & up	
3	Manual Air Bleeder	JX192	All	2.10
4	Fill Plug Assembly (Includes Oil Gauge)	JX110	All Airdraulic	
5	Airline Baffle	JX60	All Airdraulic	
6	Flange Bushing	JK438-3	All Airdraulic	
7	Flange Bushing "O" Ring	JK438-3-1	All Airdraulic	
8	Replacement Airline†	JX160	All Airdraulic	
9	Replacement Check Disc†	JX108	All Single Stop Airdraulic	
		JX189	All Two Stop Airdraulic	
10	Replacement Plunger	JK448	Airdraulic (Two Stop)	
		JK449	Hydraulic (Two Stop)	
11	Replacement Casing	JK760	Airdraulic (Two Stop)	
		JK761	Hydraulic (Two Stop)	
Number Not Shown	Complete Replacement Jack	J109	Airdraulic (Single Stop)	2.7
		J111	Hydraulic (Single Stop)	
		J118	Airdraulic (Two Stop)	
		J119	Hydraulic (Two Stop)	
	Low Oil Control	JX179	Airdraulic (Ref. File Index 13.1)	2.2
	Plunger Water Shield	JX81	Hydraulic (Ref. File Index 17.1)	2.10



\*The JK225 Seal and JK612 Gland are obsolete—Order J134 Seal & Gland Assy. Consists of 1 JK227 Seal, 1 JK622 Gland and 1 JX192 Bleeder Valve.

### IMPORTANT

The plunger on the single-stop jack is not removable. The two-stop jack is constructed for 60" or 66" rise and the plunger is removable. See File Index 20.2—Instructions for removing plunger.

When ordering parts always give exact model and jack serial number. Model number is shown on nameplate attached to superstructure, head or yoke. Jack serial number is located on side of plunger at the point of attachment to superstructure.

Identified by the 8 1/4" internal bolt circle, fixed type non-adjustable seal and gland assembly. Manufacture of Series JK187 and JK188 began in 1958. Manufacture of Series JK189 and JK190 began in 1958.

Manufacture of Series JK1113, JK1114, JK1115 and JK1116 began in August of 1966.

†Special tools required for installing these items. We recommend parts depot for installation.



Rotary parts are stocked by Rotary Parts Depots throughout the United States

**Use Genuine Rotary Parts for Safety—Low Cost**

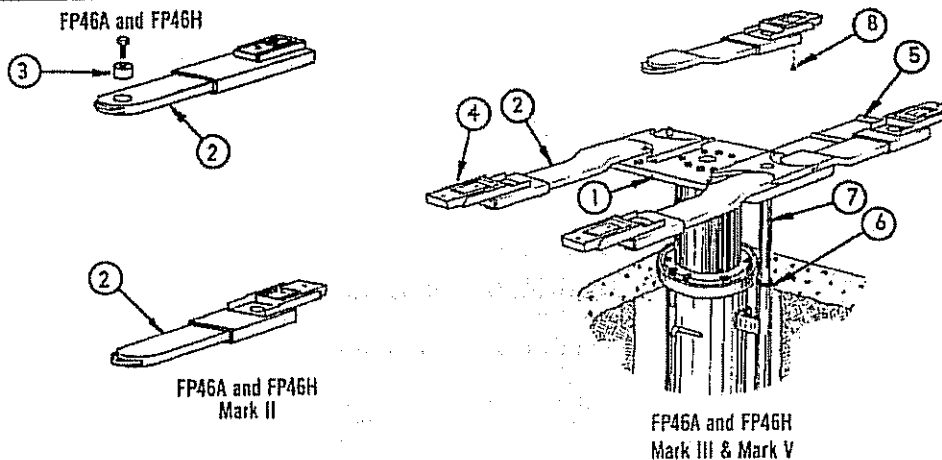
**DOVER CORPORATION / ROTARY LIFT DIVISION**  
MEMPHIS, TENNESSEE 38130

FILE INDEX 5.6.2

# SWINGING ARM FRAME PICK-UP LIFT Superstructure Parts

Lift Models: FP46A and FP46H; FP46A and FP46H Mark II; FP46A and FP46H Mark III; and FP46A & H Mark V

ITEM NO.	PART	PART NO.	MODEL	PRICE LIST INDEX
1	Yoke	FJ220-1	FP46A & H	2.8
		FJ227-1	FP46A & H Mark II & III	
		FJ298	FP46A & H Mark V	
2	Arm	FJ220-2	FP46A & H	2.6
		FJ227-2	FP46A & H Mark II	
		FJ235-2	FP46A & H Mark III	
		FJ280	FP46A & H Mark V	
3	Pipe Spacer Bushing	FJ220-3	FP46A & H	2.10
4	Adapter	FJ642	All Models except FP46A & H Mk. V	2.3
		FJ654	FP46A & H Mark V	
5	Wheel Spotting Dish	FF714	ALL MODELS	2.10
6	Auto. Comb. N/R & S/L Outer Pipe	FA218		2.4
7	Auto. Comb. N/R & S/L Inner Pipe	FA239		2.4
8	3/8" x 1 1/2" Hex Head Cap Screws		FP46A & FP46H, Mark III	



## CONTROL VALVES, MUFFLERS AND TANKS

See File Index 11.0 for complete valves and parts

Airdraulic Model \_\_\_\_\_ Deadman type air valve

Full Hydraulic Model \_\_\_\_\_ Locking type air valve and 1-1/4" oil gate valve

Mufflers \_\_\_\_\_ See file index 11.1

Full Hydraulic Tanks \_\_\_\_\_ See file index 13.0



Rotary parts are stocked by Rotary Parts Depots throughout the United States

**Use Genuine Rotary Parts for Safety—Low Cost**

**DOVER CORPORATION / ROTARY LIFT DIVISION**  
MEMPHIS, TENNESSEE 38130

FILE INDEX 5.6.2