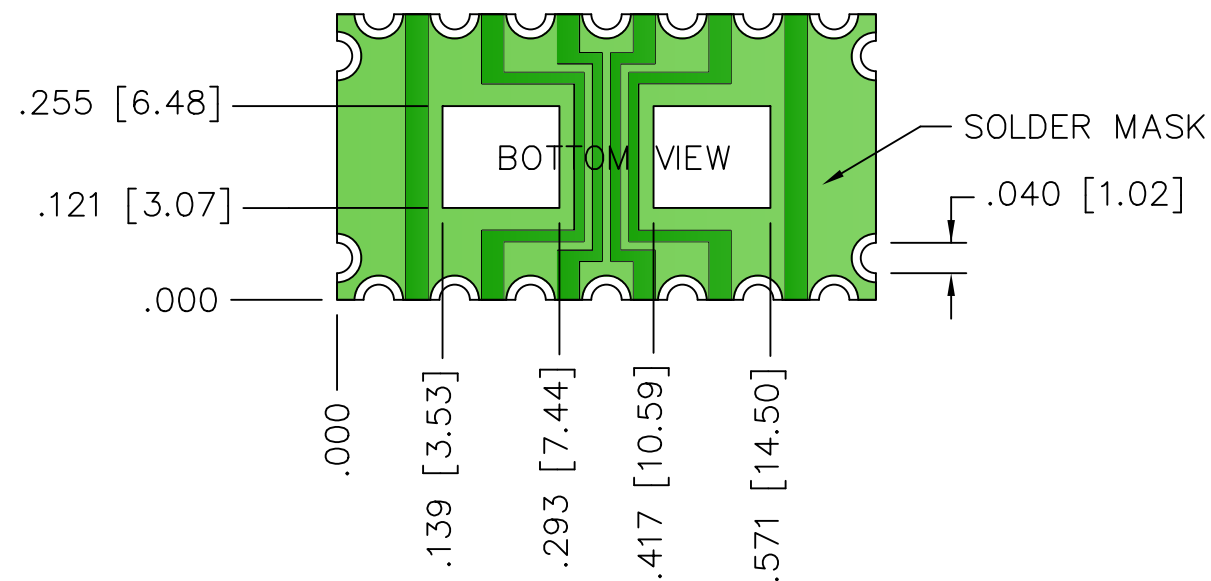
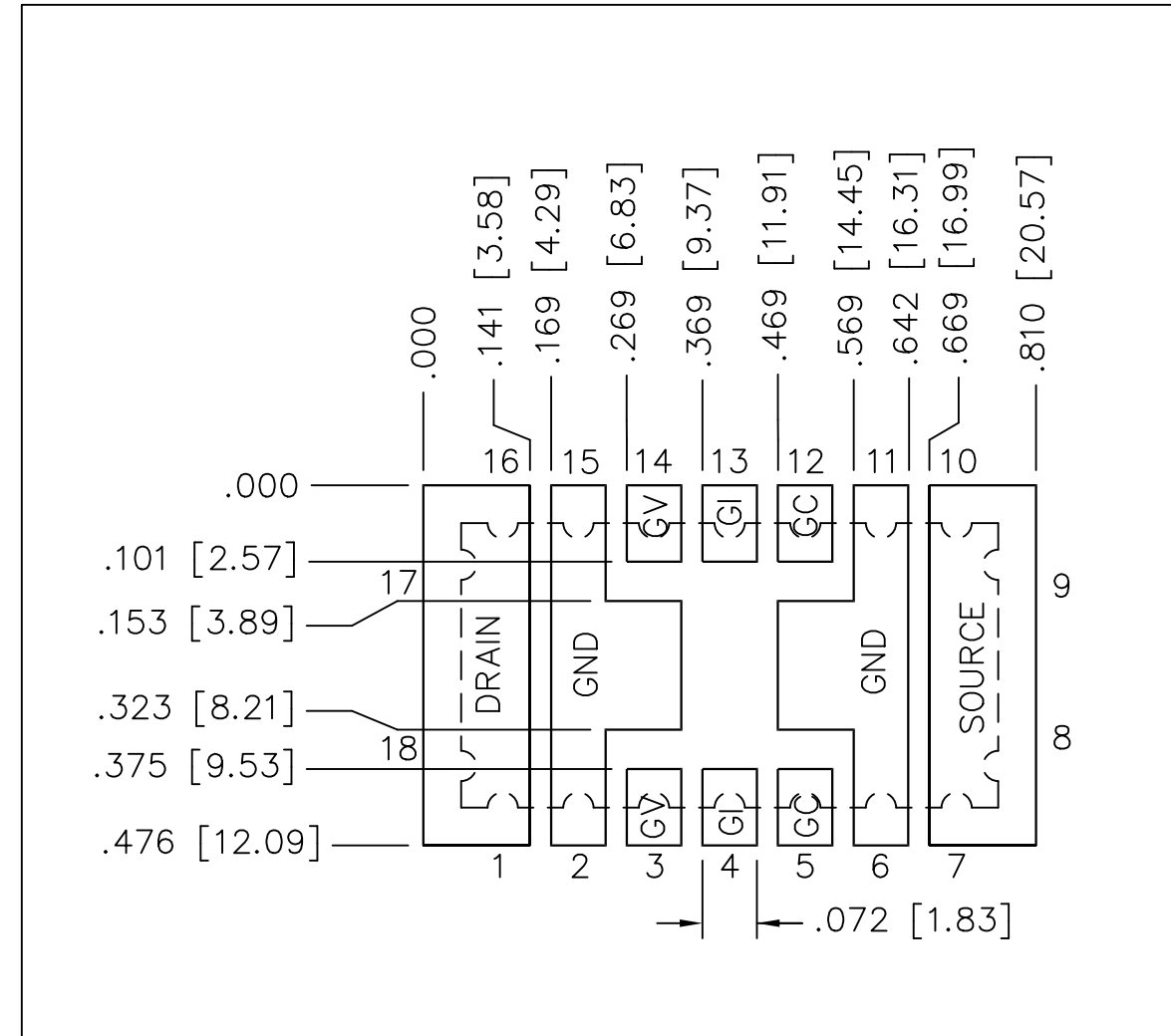
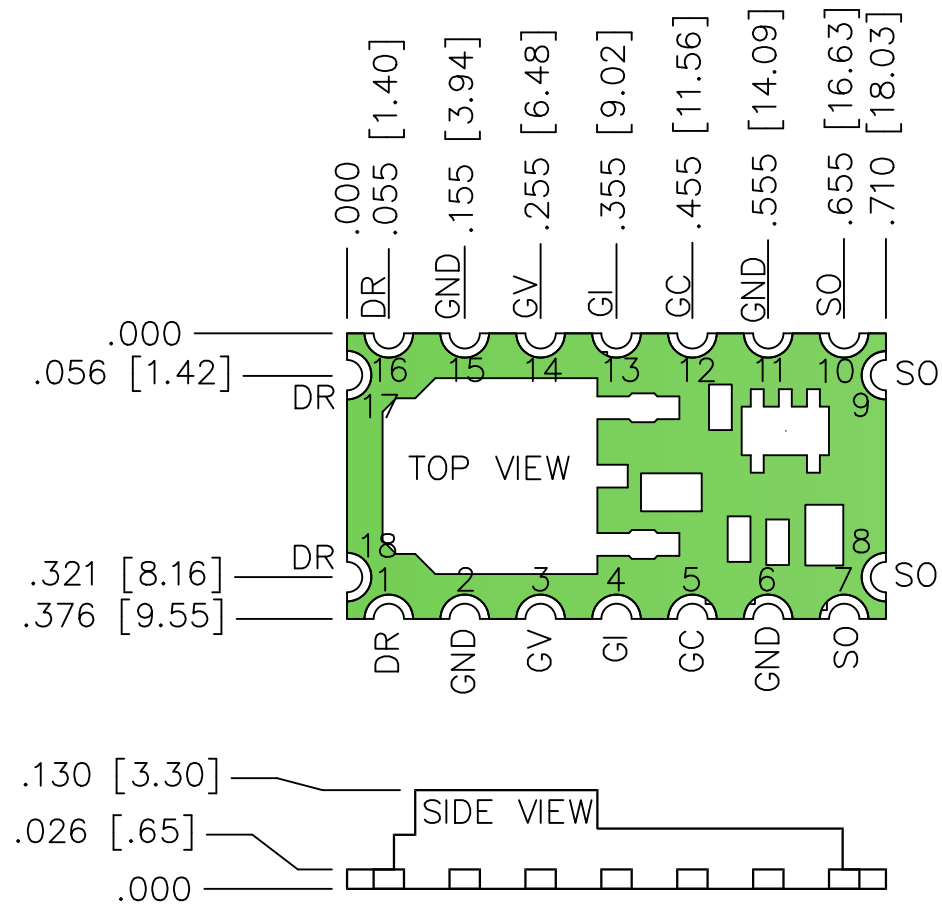


OUTLINE & LAND PATTERN, 332P, 332N



TOLERANCE IS +/- .005" [.13mm]
UNLESS OTHERWISE SPECIFIED



REF: E420028