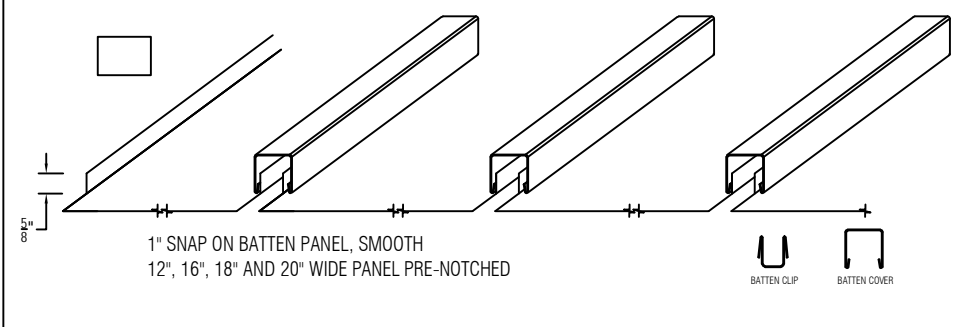
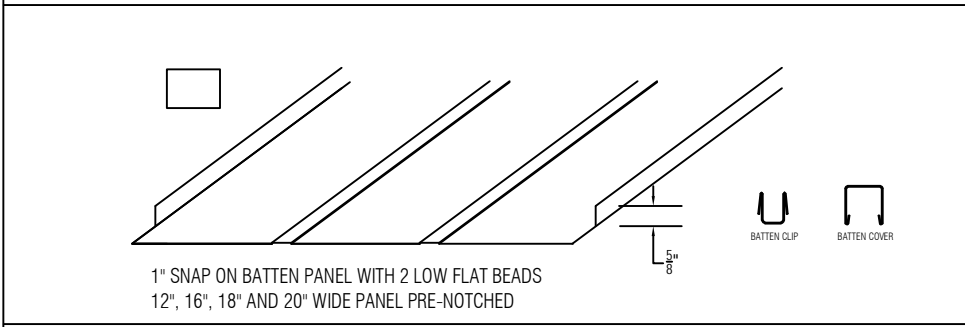
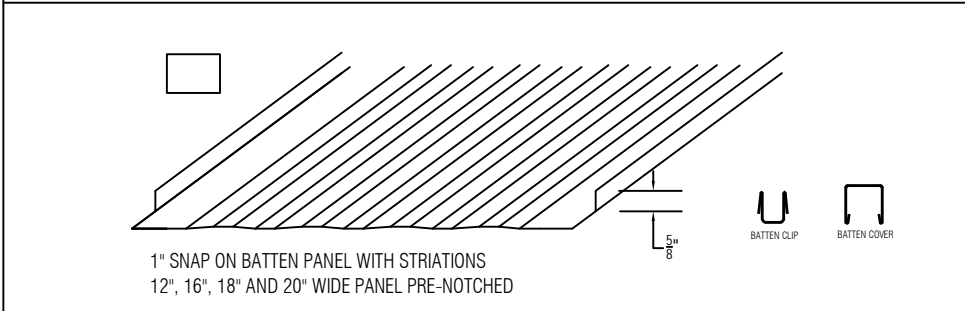


1" SNAP ON BATTEN ROOF PANELS



TOTAL SQRF: _____

LONGEST PANEL: _____

PANEL WIDTH: _____

ROOF SLOPE: _____

DECK TYPE: _____

PANEL CLIPS: _____

FASTENERS: _____

RIVETS: _____

SEALANT: _____

BUTYL TAPE: _____

TOUCH-UP PAINT: _____

UNDERLAYMENT: _____

DEKTITE #3: _____

IN SEAM SEALANT: _____

ATTACHED DRWAINGS: _____

SPECIAL REQUEST: _____

MATERIAL (please choose one):

<input type="checkbox"/> 24 GA Steel <input type="checkbox"/> 22 GA Steel	<input type="checkbox"/> .032 Aluminum <input type="checkbox"/> .040 Aluminum
--	--

Color: _____

Finish: _____

PANEL CUT LIST:

@ _____ "	@ _____ "
@ _____ "	@ _____ "
@ _____ "	@ _____ "
@ _____ "	@ _____ "
@ _____ "	@ _____ "
@ _____ "	@ _____ "
@ _____ "	@ _____ "
@ _____ "	@ _____ "
@ _____ "	@ _____ "
@ _____ "	@ _____ "
@ _____ "	@ _____ "
@ _____ "	@ _____ "
@ _____ "	@ _____ "
@ _____ "	@ _____ "
@ _____ "	@ _____ "
@ _____ "	@ _____ "
@ _____ "	@ _____ "
@ _____ "	@ _____ "
@ _____ "	@ _____ "
@ _____ "	@ _____ "
@ _____ "	@ _____ "
@ _____ "	@ _____ "
@ _____ "	@ _____ "

Sheet _____ of _____ .

DWG# 720-042

Notes:

- 1) *Accessory Welding is only available in 040 aluminum or heavier
- 2) Written approval is required prior to fabrication, contractor is responsible for all dimensions and quantities. Fabricated items are not returnable.

Project Name: _____

Installing Contractor: _____

Contact Name: _____

Contact number: _____

Signed Approval: _____

Temple Architectural Products
1111 Lowell St.
Elyria, OH 44035

Phone: (440) 323-9393

Fax: (440) 412-7559