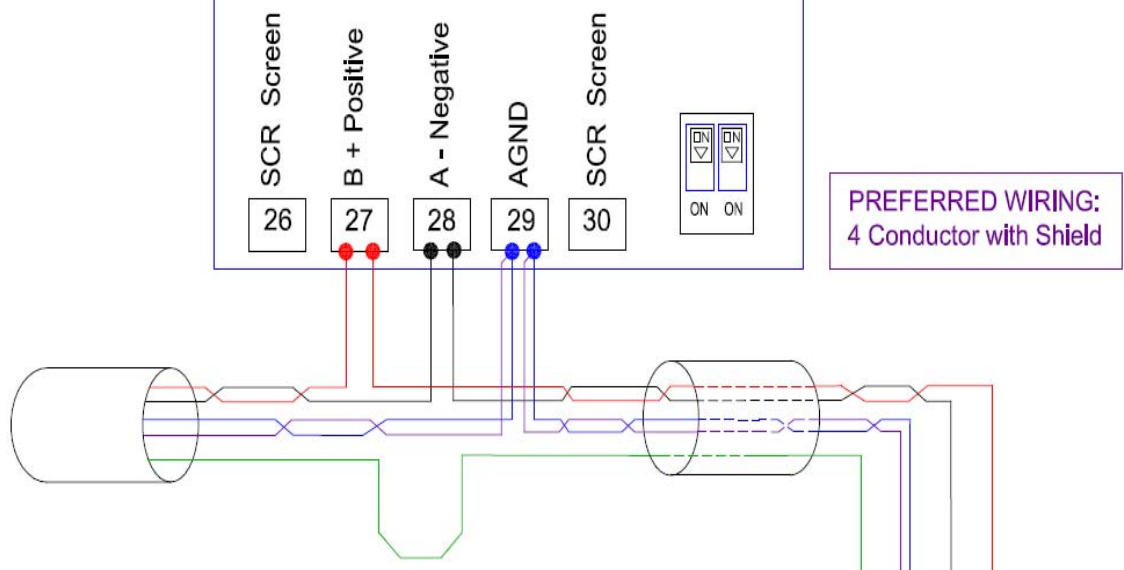


**ABB E-CLIPSE BYPASS RS485:
Terminal Block: X2**



**PREFERRED WIRING:
4 Conductor with Shield**

NOTES:

1. Use 4 Conductor Cable - 2 twisted pair.
Tie 3rd & 4th wire (2nd pair) to AGND: X2-29.
2. Tie shield wires together at Drive
- Do Not terminate at SCRI
3. Terminate shield ONLY at "Ground" terminal
In the Building Automation Controller!
4. Terminate AGND wire at "Reference" terminal
In the Building Automation Controller!

