

CF Fittings

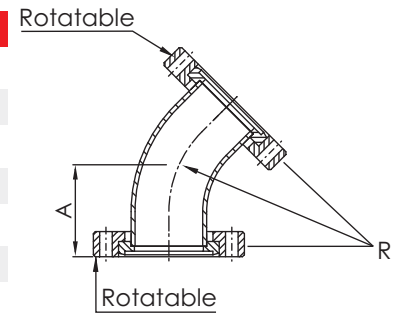
CF 45° ELBOWS

*Material: SS 304L

*Tube Finish: Bead Blast



Part Number	Flange Size	A	R
CF-45EL-133	CF1.33"(DN16)	23.80	25.40
CF-45EL-212	CF2.12"(DN25)	28.90	38.10
CF-45EL-275	CF2.75"(DN40)	44.20	57.20
CF-45EL-338	CF3.38"(DN50)	52.50	76.20
CF-45EL-450	CF4.50"(DN63)	85.60	95.30
CF-45EL-462	CF4.62"(DN80)	100.60	114.30
CF-45EL-600	CF6.00"(DN100)	132.50	152.40



CF

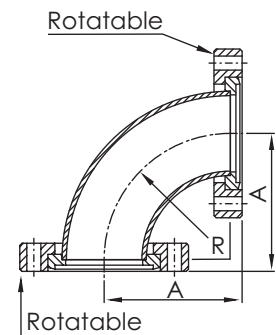
CF 90° ELBOWS

*Material: SS 304L

*Tube Finish: Bead Blast



Part Number	Flange Size	A	R
CF-90EL-133	CF1.33"(DN16)	38.10	28.60
CF-90EL-212	CF2.12"(DN25)	42.40	38.10
CF-90EL-275	CF2.75"(DN40)	62.50	57.15
CF-90EL-338	CF3.38"(DN50)	81.80	76.20
CF-90EL-450	CF4.50"(DN63)	104.60	95.25
CF-90EL-462	CF4.62"(DN80)	121.40	114.30
CF-90EL-600	CF6.00"(DN100)	163.60	152.40



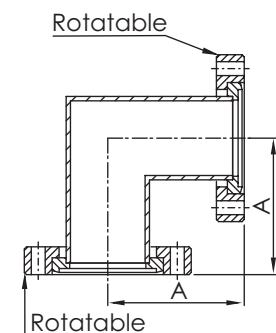
CF 90° MITERED ELBOWS

*Material: SS 304L

*Tube Finish: Bead Blast



Part Number	Flange Size	A
CF-90MEL-133	CF1.33"(DN16)	38.10
CF-90MEL-212	CF2.12"(DN25)	52.00
CF-90MEL-275	CF2.75"(DN40)	62.50
CF-90MEL-338	CF3.38"(DN50)	81.80
CF-90MEL-450	CF4.50"(DN63)	85.90
CF-90MEL-462	CF4.62"(DN80)	89.70
CF-90MEL-600	CF6.00"(DN100)	109.70



*Note: SS 316LN (SS 316L Tube+ SS 316LN Flange) Material Available on Request.

*Note: Polished and Electro- Polished Tube Finishes Available on Request.