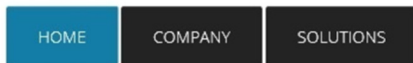


Thank you for taking the time to learn more Passport Technologies Inc. and our access management products and services for cloud-based software environments. It would be our pleasure to discuss your specific application and business needs and provide you with the ideal solution.

This document provides an overview of the various products, features and services available from Passport Technologies Inc.



● ● ● DELIVERING CUSTOMIZED AND INTEGRATED CLIENT-ACCESS SOLUTIONS

- **Cards and Keytags**
- **Readers**
- **Software Interface and Control Modules**
- **Barriers and Turnstiles**

- **Firmware Feature Development**
- **Technical Solutions Approach**
- **Integration and Support Services**
- **Twenty+ years of experience in Automatic ID and Controls**

Passport Technologies Inc. is a Canadian Manufacturer and Distributor of membership management hardware products catering to the North American and Global Health and Fitness industries.

We provide all the products and services required to ensure the successful and powerful integration of your cloud-based software and your facilities operations such as door access, turnstile control, gate control, etc.

All our products and solutions are made with pride in North America.

A standard Passport Technologies system includes:

- **One CloudBerry Software Interface and Control Module.** This is the core of our access integration solutions and can be configured to accept one reader input as well as provide whatever output is required to control your access point (maglock, electric strike, turnstile, etc.)
- The selected member **ID product** (keytags, keyfobs, cards, biometrics, etc.)
- Access point **Reader** to detect and send the member ID data to the CloudBerry controller; USB Desktop reader for new member registration and checkins during staffed hours
- **Optional:** We also offer turnstile and gating solutions for traffic and direction control
- **Note:** Passport Technologies does not provide electronic door operators (maglocks, electric strikes, etc.) and this should be purchased by the client locally from a locksmith or other qualified provider.



Actual unit may differ from image.

Passport Technologies Features and Options

Our **integrations are comprehensive** and there is no additional programming or configuration required. All software data and functionality is provided by your cloud-based membership management platform. When a member presents their ID at an access point, the system communicates with your membership management software via their API (Application Programming Interface) to determine member validity, grant or deny access, and register the checkin—all in real time.

The CloudBerry is a network-based device, connected via network router or switch, and does not require PC connection for normal operation of the access point. Any changes to your membership management platform will automatically and immediately be reflected at the access point, regardless of where in the world the change was made (the facility, your home or office, the cottage, etc.).

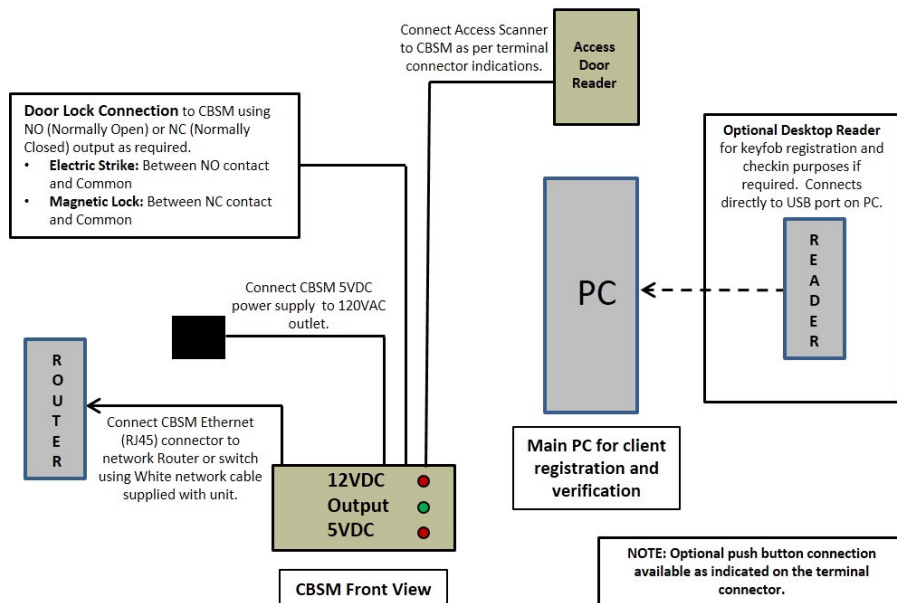
Though our integrations are comprehensive, your software partner may limit the information we can retrieve via their API. The **CloudBerry User Interface** allows Passport Technologies to offer optional features beyond software capabilities to enhance your access point operations and your member experience. **Please consult** with Passport Technologies for further details if you are unsure of your application requirements or if your application requires additional features.

System installation is simple and typically consists of the following elements:

- Simple 2-wire connection from the CloudBerry used to operate the access point/lock, as indicated on the wiring diagram below
- All cabling for connection to the router/network and PC communication (if required) is provided by Passport Technologies Inc.
- The reader is pre-wired to the CloudBerry controller and may be easily removed from the screw terminals if it needs to be extended. Please follow instructions or consult with Passport Technologies Inc. for cable extension information.
- It is recommended that a local installation service be used to install any Passport Technologies system. Either a computer technician, locksmith or other low-voltage service.

Note: Initial system configuration is done remotely via the TeamViewer remote desktop software application (www.teamviewer.com).

CBSM Block Wiring Diagram



CloudBerry Options

The CloudBerry offers a wide range of options for use with your cloud-based software. Some options (listed here or not) may be provided at additional cost to the base unit:

Local Database — Though it may not be required every day, this standard feature allows the system to maintain operation at the access point in the event that internet communication is disrupted for whatever reason. A system requirement in any cloud-based software environment, the Local Database feature comes standard on all Passport Technologies SICMs.

Passport Remote Check-in Screen — This standard option allows staff to view check-in information on any computer on the same network as the access system and eliminates the need for the sign-in screen to be visible on the reception PC. This is a convenient way to use the main registration and sign-in PC without having to worry about losing sign-in information in real time if the employee is performing other tasks on the PC.

Remote Door Unlock — This function allows you to unlock an access point device from anywhere in the world, access to the internet required of course. It is useful in the event you would like to grant after-hour access to a member who may not have a valid key fob or to open the door remotely for whatever reason.

Hours of Operation at Access Point — This is a real time clock function that allows you to manage the hours of operation for the access point, used in non-24-hour applications.

Anti-Tailgating Surveillance — This optional feature, for door access operation only, helps reduce fraud by detecting when more than one person enters the facility per valid access. In the event of a tailgate, the CloudBerry automatically sends an email alerting the gym owner/manager that more than one person has entered the facility per valid access.

Multiple Door Access Points — With multiple readers, the CloudBerry can operate several doors with one reader per door. This option can include access points such as: Multiple entrances to the facilities; Access to tanning bed rooms; Access to VIP areas; etc.

Universal Access Keyfob/Keytag — This option allows unlimited access with or without internet communication. Up to 10 keyfobs or keytags can be entered into the CloudBerry database as universal access devices. Access will be granted immediately under any circumstance, regardless of software status. In fact these devices do not even have to be added to the software database. For use by owners, managers and personnel for emergency access under any circumstance as long as power is applied to the CloudBerry.

More Options. The list of available options is long and Passport Technologies is constantly developing additional options based on feedback from our valued clients and partners.

Thank you once again and please don't hesitate to contact us should you have any questions regarding Passport Technologies or our products!