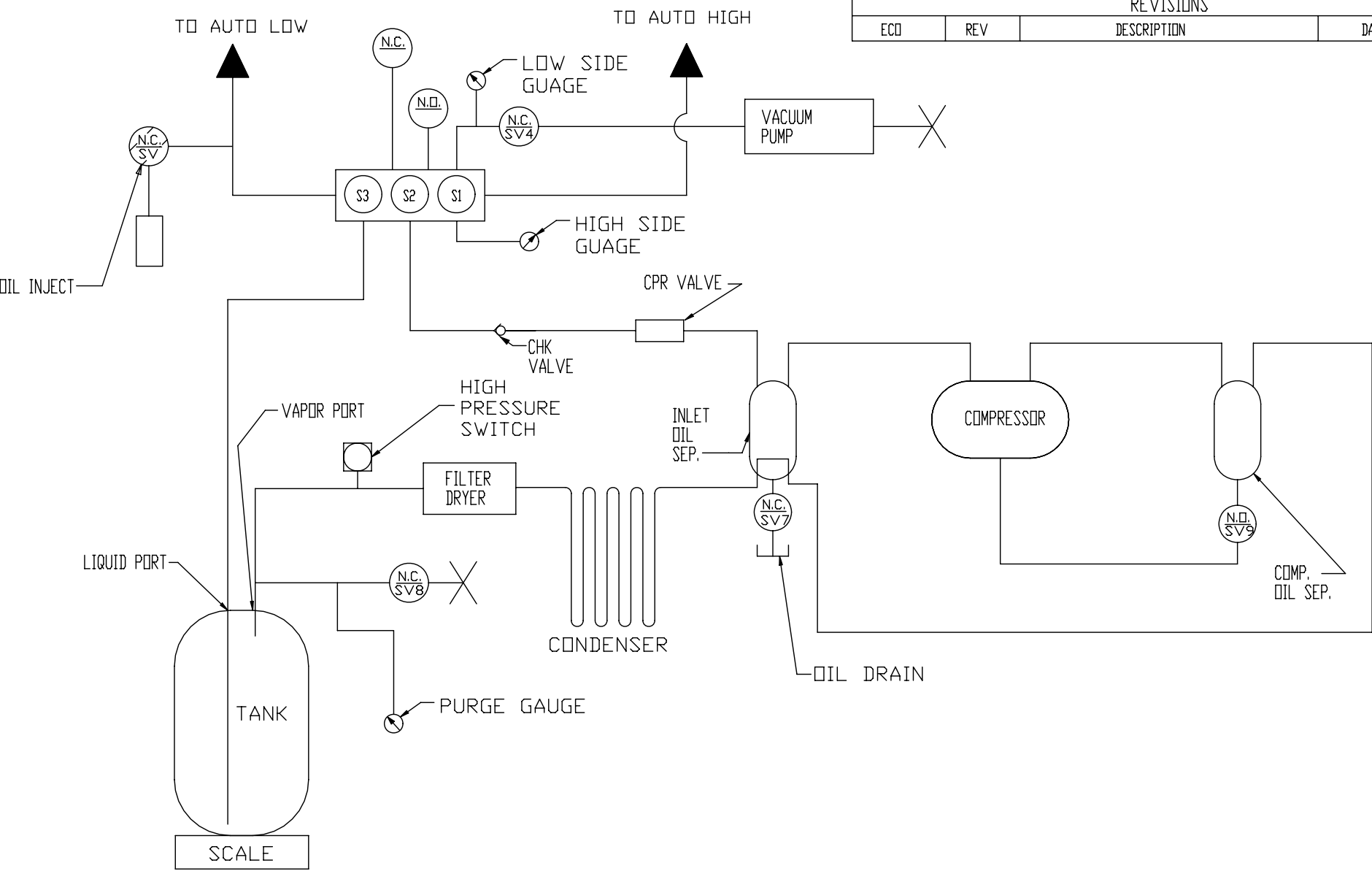


REVISIONS				
ECD	REV	DESCRIPTION	DATE	APP.



RITCHIE
ENGINEERING CO., INC.
10950 Hampshire Ave S
Bloomington, MN 55438
Phone: 952-943-1300
Fax: 952-943-1140

THE INFORMATION CONTAINED IN THIS DRAWING IS THE SOLE PROPERTY OF RITCHIE ENGINEERING CO., INC. ANY REPRODUCTION IN PART OR WHOLE WITHOUT THE WRITTEN PERMISSION OF RITCHIE ENGINEERING CO., INC. IS STRICTLY PROHIBITED.

UNLESS OTHERWISE SPECIFIED DIMENSIONS ARE IN INCHES

DECIMALS: .X: ± 0.020 .XX: ± 0.010 .XXX: ± 0.005 XXXX: ± 0.0010	RMS: 63 ANGLES: ± 1/2° FRACTIONS: ± 1/32
---	---

3RD ANGLE PROJECTION

DO NOT SCALE DRAWING

MATERIAL: (MUST BE RoHS COMPLIANT)

TREATMENT: (MUST BE RoHS COMPLIANT)

DESCRIPTION: 39730/39820 FLOW DIAGRAM

ENGINEERING P/N: rvergara

RESP-ENGR: rvergara

STAGE: PRELIMINARY

CREATED BY: RWB

CREATED DATE: 12-03-2007

PART NUMBER: N/A

REVISION: 1

SCALE: 1:2

SHEET 1 OF 1