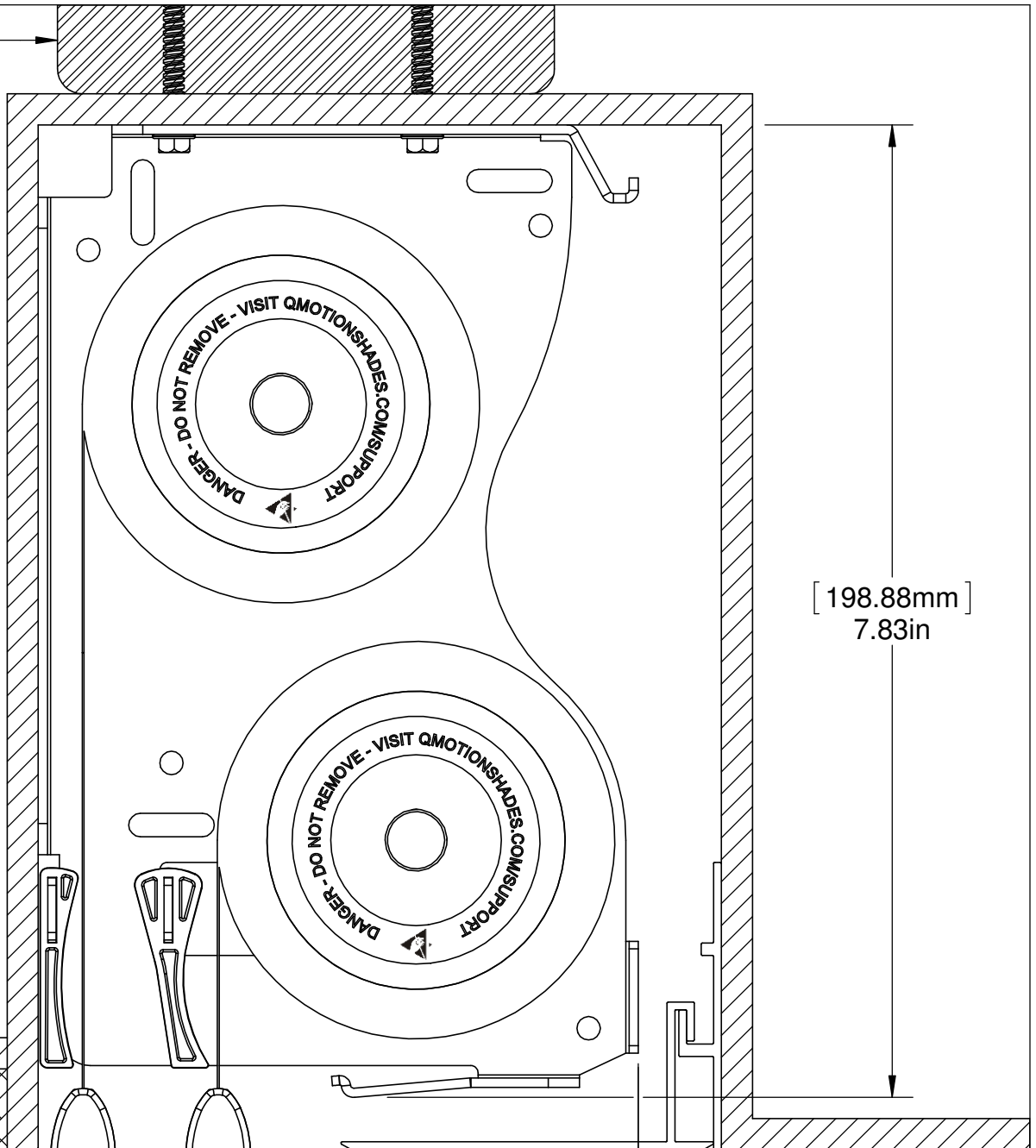


WOOD BLOCK
PROVIDED BY
OTHERS



[198.88mm]
7.83in

HEMIBAR
(VARIES)

[76.2mm]
3.00in
POCKET
CLOSURE

[122.73mm]
4.83in

[16.97mm]
.67in

CLEARANCE GAP REQUIRED FOR POCKET CLOSURE INSTALLATION
MINIMUM POCKET HEIGHT - $8 \frac{1}{4}$ " MINIMUM POCKET WIDTH - $5 \frac{1}{2}$ "