



Sealing Solutions

Provide security and protection for your piping systems by incorporating **RAMCO COATED UBOLTS** from RAMCO® Sealing Solutions.



INDUSTRIES

Oil & Gas
Pulp & Paper
Petro Chemical
Refining
Water/ Waste Water
Food & Beverage
Marine
Aerospace
Off Shore Drilling Rigs
Chemical
LNG

Available in: Galvanized Steel, Stainless Steel or Teflon Coated and comes standard with an EPDM pad and 4nuts.

Available with a ½ round thermoplastic support pad.

Metal to metal contact between piping and pipe supports can cause premature corrosion on piping systems; ultimately this leads to leaks and the costly unscheduled replacement of piping.

The **RAMCO COATED UBOLT** is a non-conductive, low friction thermoplastic barrier that provides the security and insurability that your piping system will stay in place while preventing corrosive contact.

Ramco® Sealing Solutions
info@ramcosealing.glacoxmail.com
337-706-8711 p 337-706-8713 f

Division of RAMCO® Manufacturing Company Inc.

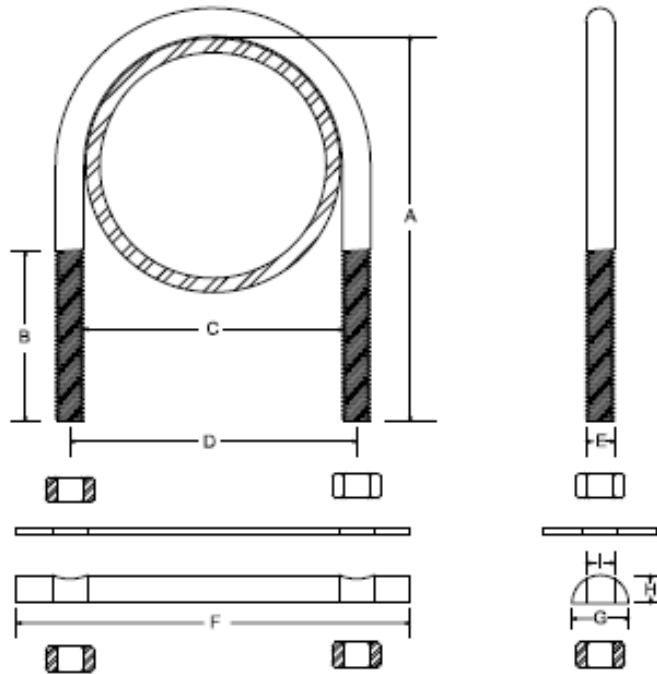


Flange Insulation Gasket Kits

RAMCO COATED UBOLTS



Stainless Steel



Teflon Coated

SIZE	Internal Length	Thread Length	Internal Width	Center	Dia.	Half Round Pad Dimensions			
	A	B	C	D	E	F	G	H	I
1/4 x 1/2	3 5/16"	2 3/8"	15/16"	1 3/16"	1/4"	2 1/4"	3/4"	3/8"	3/8"
1/4 x 3/4	3 7/16"	2 3/8"	1 1/8"	1 3/8"	1/4"	2 1/2"	3/4"	3/8"	3/8"
1/4 x 1	3 1/2"	2 3/8"	1 3/8"	1 5/8"	1/4"	2 3/4"	3/4"	3/8"	3/8"
3/8 x 3/4	3 7/16"	2 3/8"	1 1/8"	1 1/2"	3/8"	3"	3/4"	3/8"	1/2"
3/8 x 1	3 9/16"	2 3/8"	1 3/8"	1 3/4"	3/8"	3 1/4"	3/4"	3/8"	1/2"
3/8 x 1 1/4	3 3/4"	2 1/2"	1 3/4"	2 1/8"	3/8"	3 5/8"	1"	1/2"	1/2"
3/8 x 1 1/2	4"	2 1/2"	2"	2 3/8"	3/8"	3 7/8"	1"	1/2"	1/2"
3/8 x 2	4 9/16"	2 1/2"	2 7/16"	2 13/16"	3/8"	4 5/16"	1"	1/2"	1/2"
1/2 x 2	4 5/8"	2 1/2"	2 7/16"	2 15/16"	1/2"	4 7/8"	1"	1/2"	5/8"
1/2 x 2 1/2	5 3/16"	3"	3"	3 1/2"	1/2"	5 1/8"	1"	1/2"	5/8"
1/2 x 3	5 3/4"	3"	3 5/8"	4 1/16"	1/2"	5 7/8"	1"	1/2"	5/8"
1/2 x 3 1/2	6 3/8"	3"	4"	4 1/2"	1/2"	6 3/8"	1"	1/2"	5/8"
1/2 x 4	6 3/4"	3"	4 5/8"	5 1/16"	1/2"	6 15/16"	1"	1/2"	5/8"
1/2 x 5	8"	3"	5 5/8"	6 1/8"	1/2"	8 1/2"	1"	1/2"	5/8"
5/8 x 6	9 7/16"	3 3/4"	6 3/4"	7 3/8"	5/8"	9 5/8"	1 1/2"	3/4"	3/4"
5/8 x 8	11 7/16"	3 3/4"	8 3/4"	9 3/8"	5/8"	11 5/8"	1 1/2"	3/4"	3/4"
3/4 x 10	13 3/4"	4"	10 7/8"	11 5/8"	3/4"	14 1/4"	1 1/2"	3/4"	7/8"
7/8 x 12	16"	4 1/2"	12 7/8"	13 3/4"	7/8"	16 3/4"	1 1/2"	3/4"	1"
7/8 x 14	17 1/4"	4 1/2"	14 1/4"	15"	7/8"	18"	1 1/2"	3/4"	1"
7/8 x 16	19 1/4"	4 1/2"	16 1/4"	17"	7/8"	20"	1 1/2"	3/4"	1"
1 x 18	21 5/8"	6"	18 1/4"	19 1/8"	1"	22 1/2"	1 1/2"	3/4"	1 1/8"
1 x 20	24 5/8"	6"	20 1/4"	21 1/8"	1"	23 1/2"	1 1/2"	3/4"	1 1/8"
1 x 24	27 5/8"	6"	24 1/4"	25 1/8"	1"	28 1/8"	1 1/2"	3/4"	1 1/8"
1 x 30	35"	6"	30 1/4"	31 1/8"	1"	34 1/8"	1 1/2"	3/4"	1 1/8"
1 x 36	40 1/4"	6"	36 1/4"	37 1/8"	1"	40 1/8"	1 1/2"	3/4"	1 1/8"

NOTE RAM-COTE UBOLTS come standard with EPDM support pad and 4 Nuts

SUPPORT PADS



NEOPRENE PROPERTIES

PHYSICAL PROPERTIES	TEST METHOD	TYPICAL RESULT
DENSITY-DUROMETER	ASTM D1056 ASTM 2240	7-11 PCF 60+/-5, SHORE CO
TENSILE STRENGTH	ASTM D412	100 PSI
ELONGATION	ASTM D412	125%
TEAR RESISTANCE	ASTM D624	15LB/IN
COMPRESSION SET	ASTM D395 METHOD B/ ASTM D1056	<30%
COMPRESSION DEFLECTION	ASTM D575/ ASTM D1056	9-13 PSI
ACCELERATED HEAT AGING	ASTM D573 / ASTM D1056	./- 30%
WATER ABSORPTION	ASTM D1056	< 5%
OIL RESISTANCE	ASTM D471	N/A
LOW TEMPERATURE	ASTM D1056 / ASTM D1237 METHOD A	N/A

TEMPERATURE RANGE -40 TO 200F



TYPICAL PROPERTIES of ACETALS

ASTM or UL test	Property	Acetal Copolymer	Delrin [®] Homopolymer	Delrin [®] AF PTFE-filled
PHYSICAL				
D792	Density (lb/in ³)	0.051	0.051	0.054
	(g/cm ³)	1.41	1.41	1.50
D570	Water Absorption, 24 hrs (%)	0.2	0.2	0.2
MECHANICAL				
D638	Tensile Strength (psi)	9,500	11,000	8,000
D638	Tensile Modulus (psi)	400,000	450,000	435,000
D638	Tensile Elongation at Break (%)	30	30	15
D790	Flexural Strength (psi)	12,000	13,000	12,000
D790	Flexural Modulus (psi)	400,000	450,000	435,000
D695	Compressive Strength (psi)	15,000	16,000	16,000
D695	Compressive Modulus (psi)	400,000	450,000	350,000
D785	Hardness, Rockwell	M88 / R120	M89 / R122	M85 / R115
D256	IZOD Impact Notched (ft-lb/in)	1.0	1.0	0.7
THERMAL				
D696	Coefficient of Linear Thermal Expansion (x 10 ⁻⁵ in./in./°F)	5.40	4.70	5.00
D648	Heat Deflection Temp (°F / °C) at 264 psi	220 / 104	250 / 121	244 / 118
D3418	Melting Point Temp (°F / °C)	335 / 168	347 / 175	347 / 175
-	Max Operating Temp (°F / °C)	180 / 82	180 / 82	180 / 82
C177	Thermal Conductivity (BTU-in/ft ² -hr-°F)	1.6	2.5	-
	(x 10 ⁻⁴ cal/cm-sec-°C)	5.5	8.6	-
UL94	Flammability Rating	HB	HB	HB
ELECTRICAL				
D149	Dielectric Strength (V/mil) short time, 1/8" thick	420	450	400
D150	Dielectric Constant at 1 MHz	3.8	3.7	3.1
D150	Dissipation Factor at 1 MHz	0.005	0.005	0.010
D257	Volume Resistivity (ohm-cm) at 50% RH	10 ¹⁵	10 ¹⁵	3.0 x 10 ¹⁶



NOTE: The information contained herein are typical values intended for reference and comparison purposes only. They should NOT be used as a basis for design specifications or quality control. Contact us for manufacturers' complete material property datasheets.

All values at 73°F (23°C) unless otherwise noted.
DELIRIN is a registered trademark of DuPont