

26"

Available in:

- Black
- Bronze
- Ham. Bronze
- Clay
- Rust
- Green
- White

26" Round 10 Pk Aluminum Balusters

Sold in packs of 10. 10/case

26" x 3/4" Smooth satin round baluster designed for 36" rail height. Each baluster is individually poly bagged for added protection.

- Item # DP200 - Black
- Item # DP202 - Bronze
- Item # DP207 - Hammered Bronze
- Item # DP204 - Clay
- Item # DP208 - Rust
- Item # DP206 - Green
- Item # DP210 - White

Please use 2.67 balusters per lineal foot for estimating purposes



26"

Available in:

- Text. Black
- Text. Bronze
- Text. Brown
- Text. White

26" Textured Round 10 Pk Aluminum Balusters

Sold in packs of 10. 10/case

26" x 3/4" Textured round baluster designed for a 36" rail height. Each baluster is individually poly bagged for added protection.

- Item # DP200T - Textured Black
- Item # DP202T - Textured Bronze
- Item # DP205T - Textured Brown
- Item # DP210T - Textured White

Please use 2.67 balusters per lineal foot for estimating purposes



26"

Available in:

- Black
- Text. Black
- Bronze
- Ham. Bronze
- Clay
- White

PRO PACK

26" Round 100 Pack Aluminum Balusters

Sold in packs of 100.

26" x 3/4" Round baluster designed for 36" rail height. Balusters are packaged in 100 count contractor packs (No retail box). Each baluster is individually poly bagged for added protection.

Smooth Finish:

- Item # DP390 - Black
- Item # DP392 - Bronze
- Item # DP393 - Hammered Bronze
- Item # DP394 - Clay
- Item # DP400 - White

Textured Finish:

- Item # DP390T - Textured Black

Please use 2.67 balusters per lineal foot for estimating purposes



29"

Available in:

- Black
- Ham. Bronze

PRO PACK

29" Round 100 Pack Aluminum Balusters

Sold in packs of 100.

29" x 3/4" Smooth satin round baluster designed for use in many composite rail systems. Balusters are packaged in 100 count contractor packs (No retail box). Each baluster is individually poly bagged for added protection.

- Item # DP244 - Black
- Item # DP245 - Hammered Bronze

Only available in 100 packs.



Please use 2.67 balusters per lineal foot for estimating purposes



32"

Available in:

- Black
- Bronze
- Ham. Bronze
- Clay
- Rust
- Green
- White

32" Round 10 Pk Aluminum Balusters

Sold in packs of 10. 10/case

32" x 3/4" Smooth satin round baluster designed for 42" rail height. Each baluster is individually poly bagged for added protection.

- Item # DP248 - Black
- Item # DP250 - Bronze
- Item # DP255 - Hammered Bronze
- Item # DP252 - Clay
- Item # DP256 - Rust
- Item # DP254 - Green
- Item # DP258 - White

Please use 2.67 balusters per lineal foot for estimating purposes



32"

Available in:

- Text. Black
- Text. Bronze
- Text. Brown
- Text. White

32" Textured Round 10 Pk Aluminum Balusters

Sold in packs of 10. 10/case

32" x 3/4" Textured round baluster designed for a 42" rail height. Each baluster is individually poly bagged for added protection.

- Item # DP248T - Textured Black
- Item # DP250T - Textured Bronze
- Item # DP249T - Textured Brown
- Item # DP258T - Textured White

Please use 2.67 balusters per lineal foot for estimating purposes



32"

Available in:

- Black
- Text. Black
- Bronze
- Ham. Bronze
- White

32" Round 100 Pack Aluminum Balusters

Sold in packs of 100.

32" x 3/4" Round baluster designed for 42" rail height. Balusters are packaged in 100 count contractor packs (No retail box). Each baluster is individually poly bagged for added protection.

Smooth Finish:

- Item # DP416 - Black
- Item # DP418 - Bronze
- Item # DP427 - Hammered Bronze
- Item # DP426 - White

Textured Finish:

- Item # DP416T - Textured Black

PRO PACK

Please use 2.67 balusters per lineal foot for estimating purposes



AAMA 2604 Powder coated balusters. Painted ends eliminate the need for a washered connector. Colors shown are an approximate representation only, please see actual product sample when selecting color

36"



Available in:

- Black
- Bronze
- Ham. Bronze
- Clay
- Rust
- Green
- White

36" Round 10 Pk Aluminum Balusters

Sold in packs of 10. 10/case

36" x 3/4" Smooth satin round baluster. Each baluster is individually poly bagged for added protection.

- Item # DP296 - Black
- Item # DP298 - Bronze
- Item # DP299 - Hammered Bronze
- Item # DP300 - Clay
- Item # DP304 - Rust
- Item # DP302 - Green
- Item # DP306 - White

Please use 2.67 balusters per lineal foot for estimating purposes

36"



Available in:

- Text. Black
- Text. Bronze
- Text. White

36" Textured Round 10 Pk Aluminum Balusters

Sold in packs of 10. 10/case

36" x 3/4" Textured round baluster. Each baluster is individually poly bagged for added protection.

- Item # DP296T - Textured Black
- Item # DP298T - Textured Bronze
- Item # DP306T - Textured White

Please use 2.67 balusters per lineal foot for estimating purposes



Available in:

- Black

Baluster Connector for Round or Square

Sold in poly bag of 20. 50/case

For 3/4" round or square balusters. Features a tall hidden connector that assures positive engagement for a secure connection. Includes 1-1/2" stainless steel screws.

- Item # DP374 - Hidden Connector



See next page for contractor pro packs, see page 12 for baluster connector layout template



Available in:

- Black
- Bronze
- Ham. Bronze
- Clay
- Rust
- Green
- White

Round Baluster Stair Connector

Sold in poly bag of 20. 40/case

For 3/4" round balusters being used on stairs with 33-37 degree angle. Features a tall hidden connector that assures positive engagement for a secure connection. Includes 1-1/2" stainless steel screws.

- Item # DP380 - Black
- Item # DP380BZ - Bronze
- Item # DP380HB - Hammered Bronze
- Item # DP380CL - Clay
- Item # DP380RU - Rust
- Item # DP380GR - Green
- Item # DP380WH - White





Available in:

Black

Bronze

White



Architectural Round Baluster Connector

Sold in poly bag of 20. 30/case

Level connector for 3/4" round balusters. Features a decorative architectural design. Measures 1-3/8" in diameter. Includes 1-1/2" stainless steel screws.

Item # DP140 - Black
Item # DP144 - Bronze
Item # DP142 - White



Available in:

Black

Bronze

White

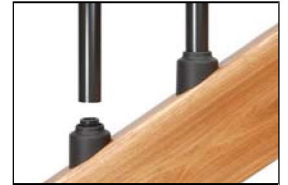


Architectural Stair Round Baluster Connector

Sold in poly bag of 20. 10/case

One piece stair connector for 3/4" round balusters being used on stairs with 33-37 degree angle. Features a decorative architectural design. Measures 1-5/8"L x 1-3/8"W. Includes 1-1/2" stainless steel screws.

Item # DP146 - Black
Item # DP150 - Bronze
Item # DP148 - White



Available in:

Black

Bronze

White



5° Round Baluster Connector for Ramps

Sold in poly bag of 20. 40/case

Five degree connector for 3/4" round balusters in a ramp application. Features a tall connector that assures positive engagement for a secure connection. Includes 1-1/2" stainless steel screws.

Item # DP770 - Black
Item # DP772 - Bronze
Item # DP771 - White



Universal Baluster Connector Pro Pack - 500 ct.

Sold in Pails.

Fits most 3/4" diameter balusters in the market today. Contractor pail contains 500 connectors and 1-1/2" #2 square drive stainless steel screws. Eliminates packaging hassles for the professional deck builder and enables them to do two - three average decks per pail. Screws bagged separately for convenience.

Item # ADIPROPACK500BP

Item # ADIPROPACK500 - Same as round baluster connector above, but with attached washer. For use with balusters when ends are not powder coated.





Available in:

Black

Bronze

Cedar

Gray



2" x 4" Railing Connector

Sold in packs of 2. 25/case

2" x 4" Straight rail connector for attaching upper and lower rail to post. 1" deep saddle provides great strength and holding power. Includes color matched stainless steel screws.

- Item # DP375 - Black
- Item # DP375BZ - Bronze
- Item # DP375C - Cedar
- Item # DP375G - Gray



Available in:

Black

Bronze

Cedar

Gray



2" x 4" 45° Railing Connector

Sold in packs of 2. 25/case

2" x 4" 45° Rail connector with design, style and flair for attaching upper and lower rail to post at a typical 45° angle. 1" deep saddle provides great strength and holding power. Includes color matched stainless steel screws. (Requires slight trimming of 2" x 4" lined)

- Item # DP389 - Black
- Item # DP389BZ - Bronze
- Item # DP389C - Cedar
- Item # DP389G - Gray



Available in:

Black

Bronze

Cedar

Gray



2" x 4" Stair Railing Connector

Sold in packs of 2. 20/case

2" x 4" Stair rail connector with design, style and flair for attaching upper and lower rail to post at a typical stair angle. 1" deep saddle provides great strength and holding power. Includes color matched stainless steel screws.

- Item # DP388 - Black
- Item # DP388BZ - Bronze
- Item # DP388C - Cedar
- Item # DP388G - Gray



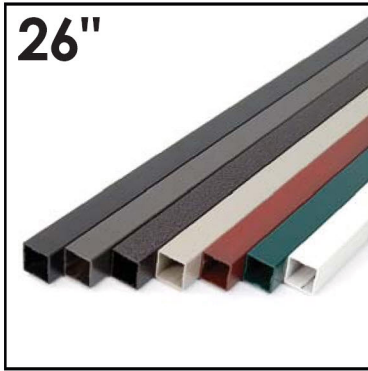
Universal Baluster Spacing Template

Sold in any quantity.

Spaces balusters at 4-5/8" **on center** to meet railing code. Allows for even spacing of round, square and facemount balusters.

Item # BALUSTERTEMP - 24" Length PVC Template





- Available in:
- Black
 - Bronze
 - Ham. Bronze
 - Clay
 - Rust
 - Green
 - White

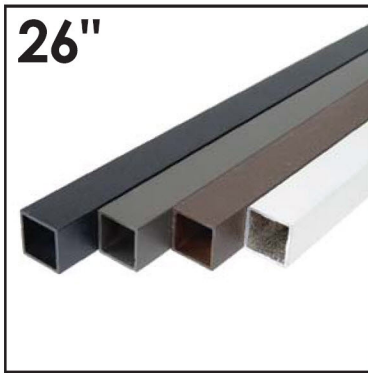
26" Square 10 Pk Aluminum Balusters

Sold in packs of 10. 10/case

26" x 3/4" Smooth satin square baluster designed for 36" rail height. Each baluster is individually poly bagged for added protection.

- Item # DP212 - Black
- Item # DP214 - Bronze
- Item # DP219 - Hammered Bronze
- Item # DP216 - Clay
- Item # DP220 - Rust
- Item # DP218 - Green
- Item # DP222 - White

Please use 2.67 balusters per lineal foot for estimating purposes



- Available in:
- Text. Black
 - Text. Bronze
 - Text. Brown
 - Text. White

26" Textured Square 10 Pk Aluminum Balusters

Sold in packs of 10. 10/case

26" x 3/4" Textured square baluster designed for a 36" rail height. Each baluster is individually poly bagged for added protection.

- Item # DP212T - Textured Black
- Item # DP214T - Textured Bronze
- Item # DP213T - Textured Brown
- Item # DP222T - Textured White

Please use 2.67 balusters per lineal foot for estimating purposes



- Available in:
- Black
 - Bronze
 - Ham. Bronze

26" Square 100 Pack Aluminum Balusters

Sold in packs of 100.

26" x 3/4" Smooth satin square baluster designed for 36" rail height. Balusters are packaged in 100 count contractor packs (No retail box). Each baluster is individually poly bagged for added protection.

- Item # DP402 - Black
- Item # DP404 - Bronze
- Item # DP403 - Hammered Bronze

Please use 2.67 balusters per lineal foot for estimating purposes



- Available in:
- Black
 - Ham. Bronze

29" Square 100 Pack Aluminum Balusters

Sold in packs of 100.

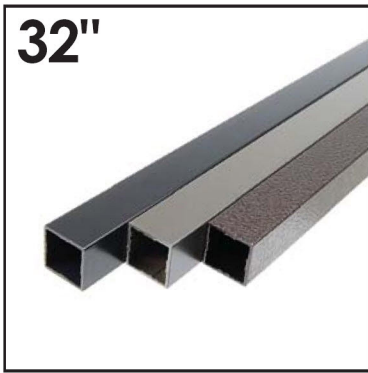
29" x 3/4" Smooth satin square baluster designed for use in many composite rail systems. Balusters are packaged in 100 count contractor packs (No retail box). Each baluster is individually poly bagged for added protection.

- Item # DP246 - Black
- Item # DP247 - Hammered Bronze

Only available in 100 packs.

Please use 2.67 balusters per lineal foot for estimating purposes





32"

Available in:

- Black
- Bronze
- Ham. Bronze

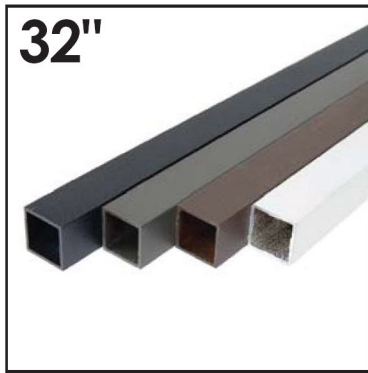
32" Square 10 Pk Aluminum Balusters

Sold in packs of 10. 10/case

32" x 3/4" Smooth satin square baluster designed for 42" rail height. Each baluster is individually poly bagged for added protection.

- Item # DP260 - Black
- Item # DP262 - Bronze
- Item # DP267 - Hammered Bronze

Please use 2.67 balusters per lineal foot for estimating purposes



32"

Available in:

- Text. Black
- Text. Bronze
- Text. Brown
- Text. White

32" Textured Square 10 Pk Aluminum Balusters

Sold in packs of 10. 10/case

32" x 3/4" Textured square baluster designed for a 42" rail height. Each baluster is individually poly bagged for added protection.

- Item # DP260T - Textured Black
- Item # DP262T - Textured Bronze
- Item # DP263T - Textured Brown
- Item # DP261T - Textured White

Please use 2.67 balusters per lineal foot for estimating purposes



32"

Available in:

- Black
- Bronze
- Ham. Bronze

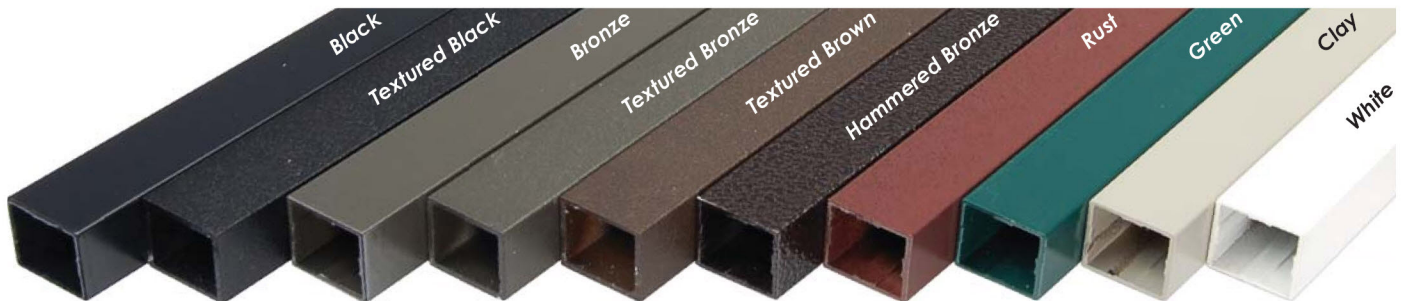
32" Square 100 Pack Aluminum Balusters

Sold in packs of 100.

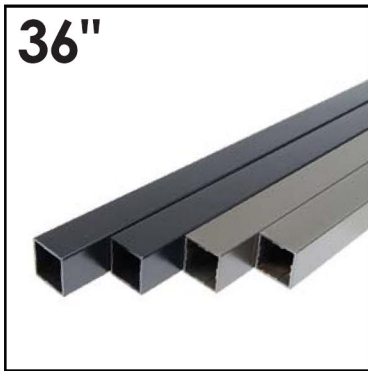
32" x 3/4" Smooth satin square baluster designed for 42" rail height. Balusters are packaged in 100 count contractor packs (No retail box). Each baluster is individually poly bagged for added protection.



- Item # DP428 - Black
- Item # DP430 - Bronze
- Item # DP432 - Hammered Bronze

Please use 2.67 balusters per lineal foot for estimating purposes



AAMA 2604 Powder coated balusters. Painted ends eliminate the need for a washered connector. Colors shown are an approximate representation only, please see actual product sample when selecting color



Available in:

 Black

 Bronze

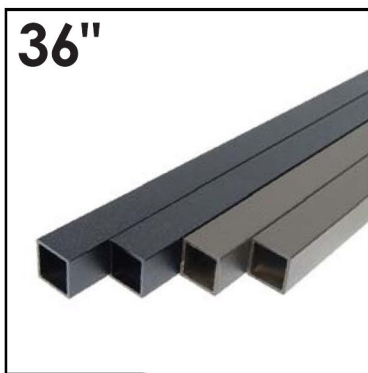
36" Square 10 Pk Aluminum Balusters


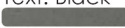
Sold in packs of 10. 10/case

36" x 3/4" Smooth satin square baluster. Each baluster is individually poly bagged for added protection.

Item # DP308 - Black
 Item # DP310 - Bronze

Please use 2.67 balusters per lineal foot for estimating purposes



Available in:

 Text. Black

 Text. Bronze

36" Textured Square 10 Pk Aluminum Balusters

Sold in packs of 10. 10/case

36" x 3/4" Textured square baluster. Each baluster is individually poly bagged for added protection.

Item # DP308T - Textured Black
 Item # DP310T - Textured Bronze

Please use 2.67 balusters per lineal foot for estimating purposes



Available in:

 Black

Baluster Connector for Square or Round

Sold in poly bag of 20. 50/case

For 3/4" square or round balusters. Features a tall hidden connector that assures positive engagement for a secure connection. Includes 1-1/2" stainless steel screws.

Item # DP374 - Hidden Connector



See page 11 for contractor pro packs, see page 17 for baluster connector layout template



Available in:

 Black

Square Baluster Connector

Sold in poly bag of 20. 50/case

For 3/4" square balusters. Features a tall connector that assures positive engagement for a secure connection. Also has anti-rotation spike on bottom of connector. Includes 1-1/2" stainless steel screws.

Item # DP376 - Black



See page 17 for connector layout template for connector layout





Available in:

- Black
- Bronze
- Ham. Bronze
- Clay
- Rust
- Green
- White



Square Baluster Stair Connector

Sold in poly bag of 20. 35/case

For 3/4" square balusters being used on stairs with 33-37 degree angle. Features a tall connector that assures positive engagement for a secure connection. Includes 1-1/2" stainless steel screws.

- Item # DP377 - Black
- Item # DP377BZ - Bronze
- Item # DP377HB - Hammered Bronze
- Item # DP377CL - Clay
- Item # DP377RU - Rust
- Item # DP377GR - Green
- Item # DP377WH - White



Available in:

- Black
- Bronze
- White



Architectural Square Baluster Connector

Sold in poly bag of 20. 20/case

Level connector for 3/4" square balusters. Features a decorative architectural design. Also has anti-rotation spike on bottom of connector. Measures 1-3/8"W. Includes 1-1/2" stainless steel screws.

- Item # DP152 - Black
- Item # DP156 - Bronze
- Item # DP154 - White



Available in:

- Black
- Bronze
- White



Architectural Stair Square Baluster Connector

Sold in poly bag of 20. 10/case

One piece stair connector for 3/4" square balusters being used on stairs with 33-37 degree angle. Features a decorative architectural design. Measures 1-5/8"L x 1-3/8"W. Includes 1-1/2" stainless steel screws.

- Item # DP158 - Black
- Item # DP162 - Bronze
- Item # DP160 - White



Available in:

- Black
- Bronze
- White



5° Square Baluster Connector for Ramps

Sold in poly bag of 20. 40/case

Five degree connector for 3/4" square balusters in a ramp application. Features a tall connector that assures positive engagement for a secure connection. Includes 1-1/2" stainless steel screws.

- Item # DP773 - Black
- Item # DP775 - Bronze
- Item # DP774 - White



Available in:

Black

Bronze

Cedar

Gray

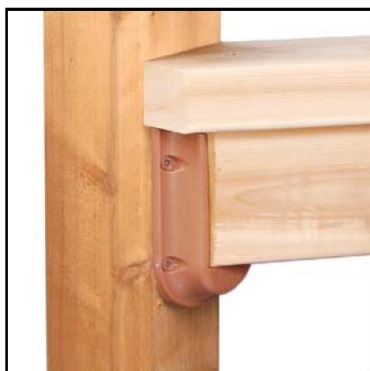


2" x 4" Railing Connector

Sold in packs of 2. 25/case

2" x 4" Straight rail connector for attaching upper and lower rail to post. 1" deep saddle provides great strength and holding power. Includes color matched stainless steel screws.

Item # DP375 - Black
Item # DP375BZ - Bronze
Item # DP375C - Cedar
Item # DP375G - Gray



Available in:

Black

Bronze

Cedar

Gray



2" x 4" 45° Railing Connector

Sold in packs of 2. 25/case

2" x 4" 45° Rail connector with design, style and flair for attaching upper and lower rail to post at a typical 45° angle. 1" deep saddle provides great strength and holding power. Includes color matched stainless steel screws. (Requires slight trimming of 2" x 4" lined)

Item # DP389 - Black
Item # DP389BZ - Bronze
Item # DP389C - Cedar
Item # DP389G - Gray



Available in:

Black

Bronze

Cedar

Gray



2" x 4" Stair Railing Connector

Sold in packs of 2. 20/case

2" x 4" Stair rail connector with design, style and flair for attaching upper and lower rail to post at a typical stair angle. 1" deep saddle provides great strength and holding power. Includes color matched stainless steel screws.

Item # DP388 - Black
Item # DP388BZ - Bronze
Item # DP388C - Cedar
Item # DP388G - Gray



Universal Baluster Spacing Template

Sold in any quantity.

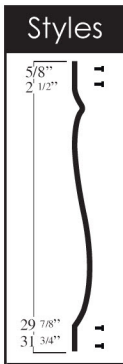
Spaces balusters at 4-5/8" **on center** to meet railing code. Allows for even spacing of round, square and facemount balusters.

Item # BALUSTERTEMP - 24" Length PVC Template





Available in:
 Black
 Textured Black
 Bronze
 Textured Bronze
 Ham. Bronze



32" Belly (Baroque) Style Baluster 5 Pack

Sold in packs of 5. 10/case

32" Belly style baluster measures 3/16" x 1" x 32-1/4." Each package contains color matched stainless steel screws.

Smooth Finish:

- Item # DP346 - Black
- Item # DP348 - Bronze
- Item # DP350 - Hammered Bronze

Textured Finish:

- Item # DP346T - Text. Black
- Item # DP348T - Text. Bronze

Please use 2.5 balusters per lineal foot for estimating purposes



Available in:
 Black
 Textured Black
 Bronze
 Textured Bronze
 Ham. Bronze



32" Belly (Baroque) Style Baluster 50 Pack

Sold in packs of 50.

32" Belly style baluster measures 3/16" x 1" x 32-1/4." Balusters are packaged in 50 count contractor packs (No retail box). Each package contains color matched stainless steel screws.

Smooth Finish:

- Item # DP347 - Black
- Item # DP349 - Bronze
- Item # DP351 - Hammered Bronze

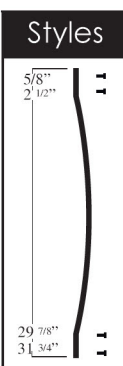
Textured Finish:

- Item # DP347T - Text. Black
- Item # DP349T - Text. Bronze

Please use 2.5 balusters per lineal foot for estimating purposes



Available in:
 Black
 Textured Black
 Bronze
 Textured Bronze
 Ham. Bronze



32" Bow (Arc) Style Baluster 5 Pack

Sold in packs of 5. 10/case

32" Bow style baluster measures 3/16" x 1" x 32-1/4." Each package contains color matched stainless steel screws.

Smooth Finish:

- Item # DP358 - Black
- Item # DP360 - Bronze
- Item # DP362 - Hammered Bronze

Textured Finish:

- Item # DP358T - Text. Black
- Item # DP360T - Text. Bronze

Please use 2.5 balusters per lineal foot for estimating purposes



Available in:
 Black
 Textured Black
 Bronze
 Textured Bronze
 Ham. Bronze



32" Bow (Arc) Style Baluster 50 Pack

Sold in packs of 50.

32" Bow style baluster measures 3/16" x 1" x 32-1/4." Balusters are packaged in 50 count contractor packs (No retail box). Each package contains color matched stainless steel screws.

Smooth Finish:

- Item # DP359 - Black
- Item # DP361 - Bronze
- Item # DP363 - Hammered Bronze

Textured Finish:

- Item # DP359T - Text. Black
- Item # DP361T - Text. Bronze

Please use 2.5 balusters per lineal foot for estimating purposes



Available in:

- Black
- Textured Black
- Bronze
- Textured Bronze
- Ham. Bronze



32" Face Mount Baluster 10 Pack (Traditional)

Sold in packs of 10. 10/case

Face mount rectangular baluster measures 1/2" x 1" x 32-1/4". Each package contains color matched stainless steel screws and plastic end caps.

Smooth Finish:

- Item # DP464 - Black
- Item # DP466 - Bronze
- Item # DP468 - Hammered Bronze

Textured Finish:

- Item # DP464T - Text. Black
- Item # DP466T - Text. Bronze

Please use 2.5 balusters per lineal foot for estimating purposes



Available in:

- Black
- Textured Black
- Bronze
- Textured Bronze
- Ham. Bronze



32" Face Mount Baluster - 100 Pack (Traditional)

Sold in packs of 100.

Face mount balusters are packaged in 100 count contractor packs (No retail box). Each package contains color matched stainless steel screws and plastic end caps.

Smooth Finish:

- Item # DP465 - Black
- Item # DP467 - Bronze
- Item # DP469 - Hammered Bronze

Textured Finish:

- Item # DP465T - Text. Black
- Item # DP467T - Text. Bronze

Please use 2.5 balusters per lineal foot for estimating purposes



Available in:

- Black
- Bronze
- Ham. Bronze



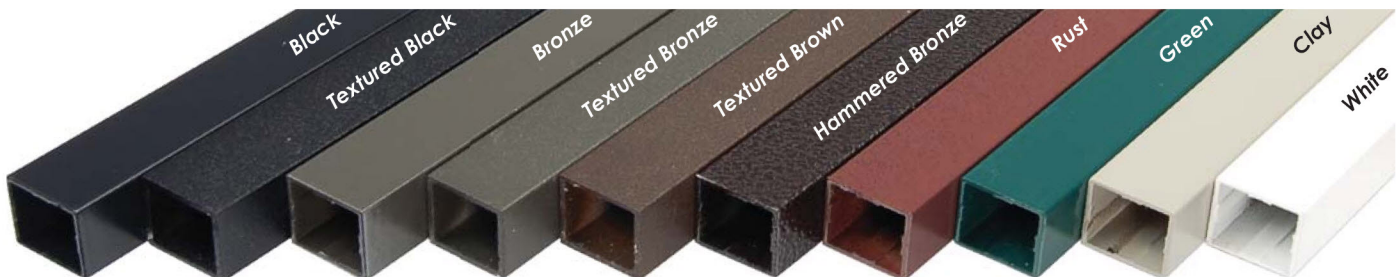
38" Face Mount Baluster 10 Pack (Traditional)

Sold in packs of 10. 10/case

Face mount rectangular baluster measures 1/2" x 1" x 38-1/4". Each package contains color matched stainless steel screws and plastic end caps.

- Item # DP332 - Black
- Item # DP334 - Bronze
- Item # DP336 - Hammered Bronze

Please use 2.5 balusters per lineal foot for estimating purposes

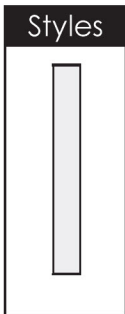


AAMA 2604 Powder coated balusters. Painted ends eliminate the need for a washered connector. Colors shown are an approximate representation only, please see actual product sample when selecting color



Available in:

Clear



26" & 32" Glass Balusters 5 Pack

Sold in packs of 5. 3/case

Tempered glass measures 5/16" thick x 4" wide X 26" or 32" long, will work for many different rail heights. **Requires glass rail connector shown below. Sold separately.**

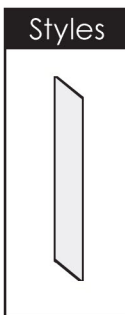
Item # DP370 - 26" length
Item # DP372 - 32" length

Please use 1.5 balusters per lineal foot for estimating purposes



Available in:

Clear



26" & 32" Stair Glass Balusters 5 Pack

Sold in packs of 5. 3/case

Tempered glass for stair measures 5/16" thick x 4" wide x 25-1/2", or 32-1/4" long, will work for stair angles from 34 - 36 degrees. **Requires glass stair rail connector shown below. Sold separately.**

Item # DP382 - 25-1/2" length
Item # DP384 - 32-1/4" length

Please use 1.5 balusters per lineal foot for estimating purposes



Available in:

Black
 Bronze
 White



Straight Glass Baluster Connector

Sold in packs of 2. 50/case

Glass baluster connector featuring hidden internal fasteners. Connectors increase overall baluster height by 3/4". Includes 1-1/2" stainless steel screws.

Item # DP381 - Black
Item # DP381BZ - Bronze
Item # DP381WH - White



Available in:

Black
 Bronze
 White



Stair Glass Baluster Connector

Sold in packs of 2. 50/case

Glass baluster connector featuring hidden internal fasteners. Connectors increase overall baluster height by 3/4" and can be used with glass stair baluster installations. Includes 1-1/2" stainless steel screws. Compatible with common stair angles from 34-36 degrees.

Item # DP387 - Black
Item # DP387BZ - Bronze
Item # DP387WH - White





Available in:

Black

Bronze

Cedar

Gray



2" x 4" Railing Connector

Sold in packs of 2. 25/case

2" x 4" Straight rail connector for attaching upper and lower rail to post. 1" deep saddle provides great strength and holding power. Includes color matched stainless steel screws.

Item # DP375 - Black
Item # DP375BZ - Bronze
Item # DP375C - Cedar
Item # DP375G - Gray



Available in:

Black

Bronze

Cedar

Gray



2" x 4" 45° Railing Connector

Sold in packs of 2. 25/case

2" x 4" 45° Rail connector with design, style and flair for attaching upper and lower rail to post at a typical 45° angle. 1" deep saddle provides great strength and holding power. Includes color matched stainless steel screws. (Requires slight trimming of 2" x 4" lined)

Item # DP389 - Black
Item # DP389BZ - Bronze
Item # DP389C - Cedar
Item # DP389G - Gray



Available in:

Black

Bronze

Cedar

Gray



2" x 4" Stair Railing Connector

Sold in packs of 2. 20/case

2" x 4" Stair rail connector with design, style and flair for attaching upper and lower rail to post at a typical stair angle. 1" deep saddle provides great strength and holding power. Includes color matched stainless steel screws.

Item # DP388 - Black
Item # DP388BZ - Bronze
Item # DP388C - Cedar
Item # DP388G - Gray



Universal Baluster Spacing Template

Sold in any quantity.

Spaces balusters at 4-5/8" **on center** to meet railing code. Allows for even spacing of round, square and face mount balusters.

Item # BALUSTERTEMP - 24" Length PVC Template





Available in:

 Black

Aluminum Round Basket

Sold in any quantity. 24/case

Baskets designed to slide over round balusters and lock in place with allen set screws (Included). Measures 2-1/2"W X 4-1/2"H.

Item # DP500 - Black



Available in:

 Black

Solid Aluminum Round Collar

Sold in any quantity. 25/case

Collars designed to slide over round balusters and lock in place with allen set screws (Included). Measures 1-5/8"W X 1-7/8"H.

Item # DP528 - Black



Available in:

 Black

Aluminum Square Basket

Sold in any quantity. 24/case

Baskets designed to slide over square balusters and lock in place with allen set screw (Included). Measures 2-3/4"W X 4-5/8"H.

Item # DP514 - Black



Available in:

 Black

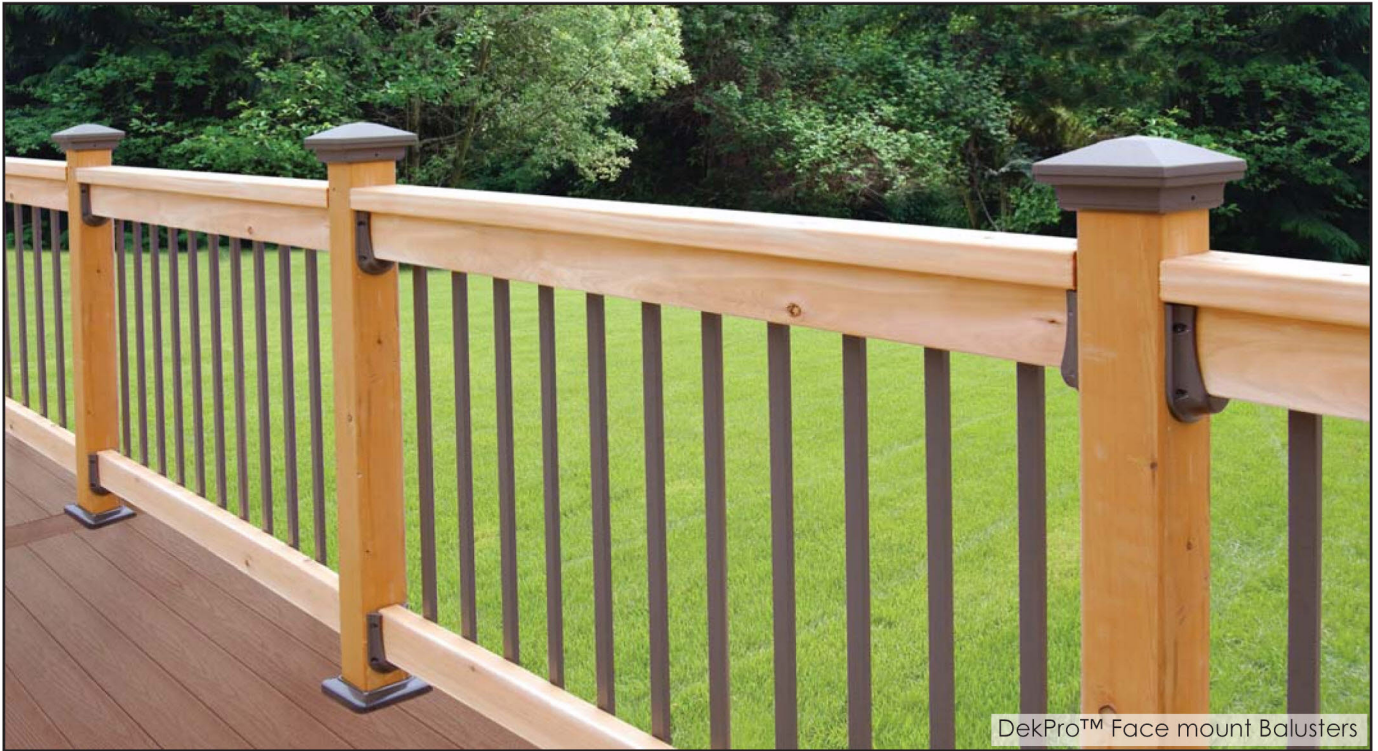
Solid Aluminum Square Collar

Sold in any quantity. 25/case

Collars designed to slide over square balusters and lock in place with allen set screw (Included). Measures 1-5/8"W X 1-7/8"H.

Item # DP556 - Black

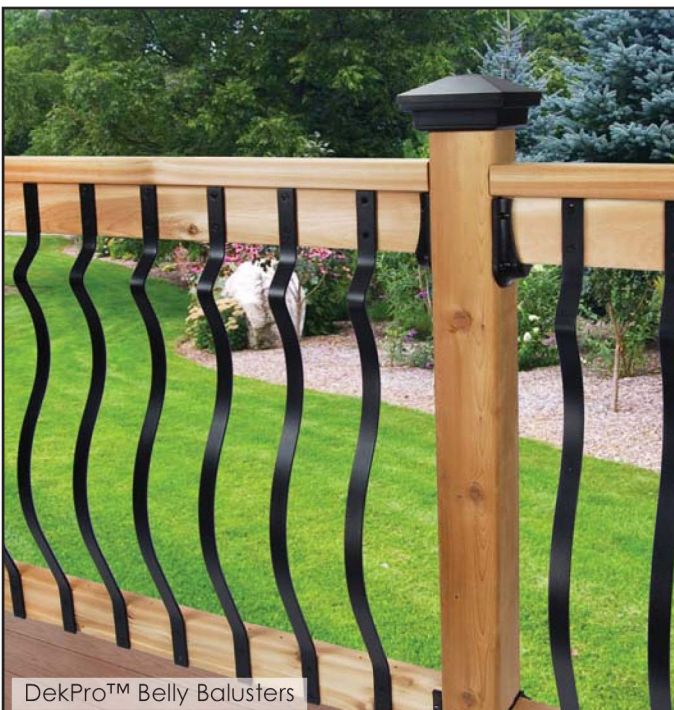




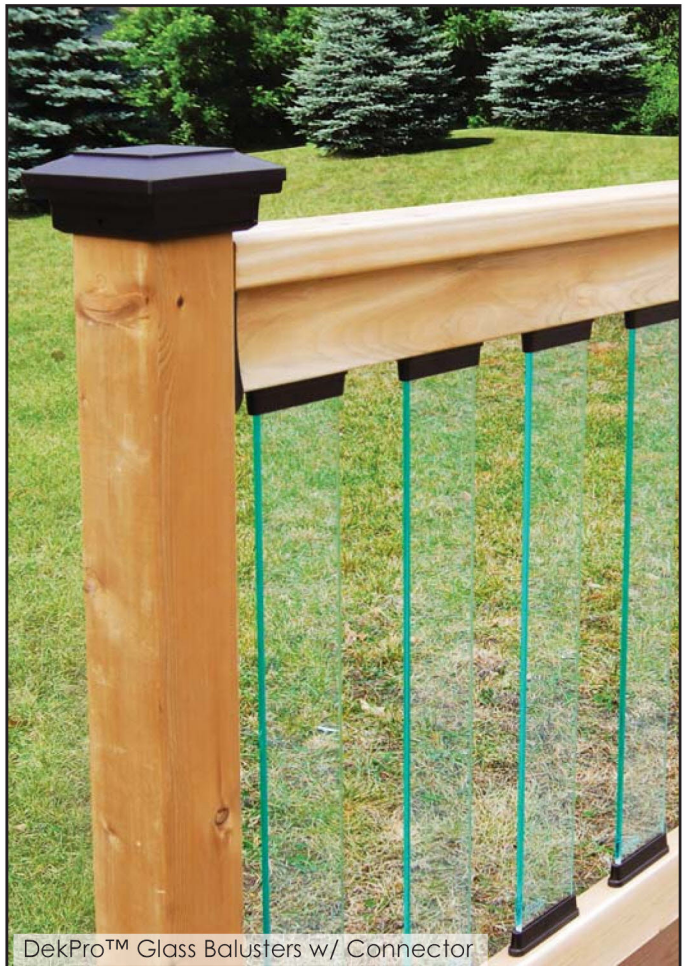
DekPro™ Face mount Balusters



DekPro™ Square Balusters w/ Architectural Connectors



DekPro™ Belly Balusters



DekPro™ Glass Balusters w/ Connector