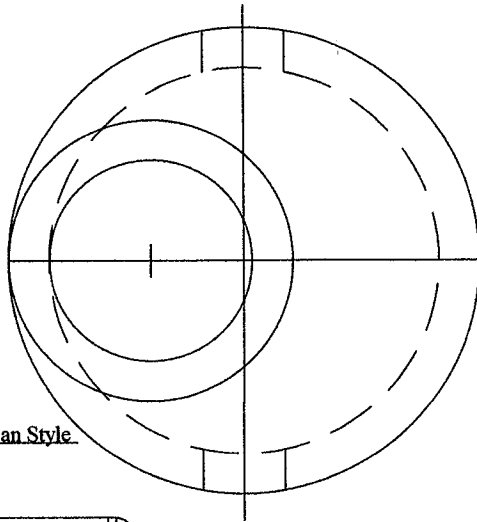
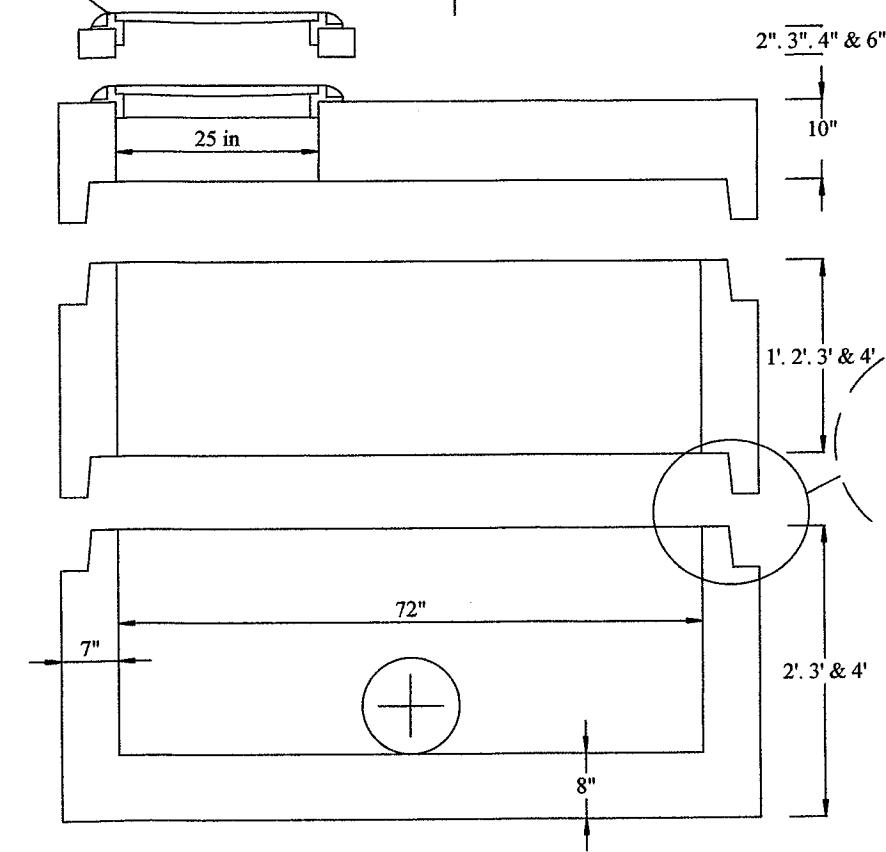


72" Manhole Stackout

Plan View



Cast Iron F&C Suburban Style



Weights;
 Base: 2' - 7,790 lbs
 3' - 9,600 lbs
 4' - 11,410 lbs

Section: 1' - 1,800 lbs
 2' - 3,600 lbs
 3' - 5,410 lbs
 4' - 7,220 lbs

Flat Top: 4,940 lbs

Mastic Seal or Grout