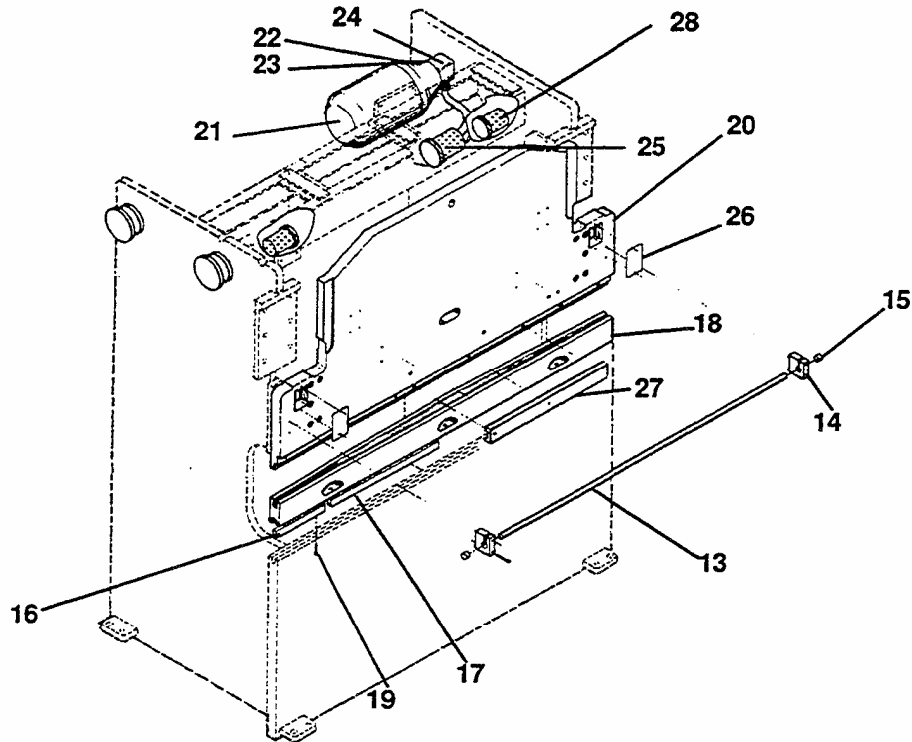


MTH SERIES PRESS BRAKES FRAME ASSEMBLY

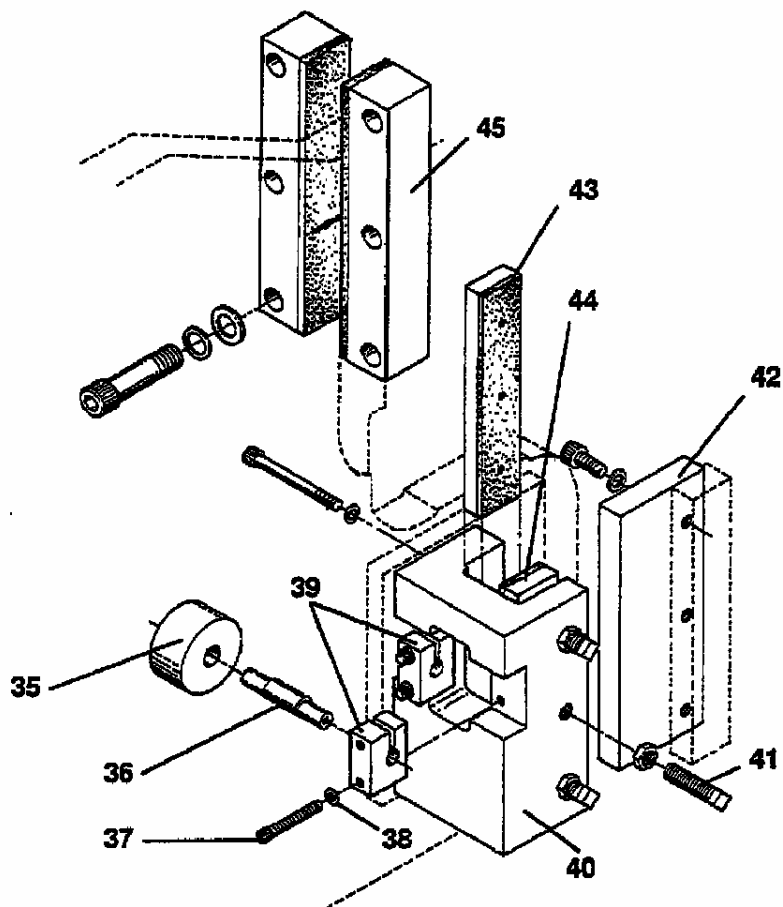


PARTS NO.	DESCRIPTION	MTH	MTH	MTH	MTH	MTH	MTH	MTH	MTH
		60-72	60-96	100-120	100-144	100-168	140-120	140-144	140-168
13	Handrail	3859-206	3859-208	3859-210	3859-212	3859-214	3859-210	3859-212	3859-214
14	Bracket, Handrail Mtg.	7486-315	7486-315	7486-315	7486-315	7486-315	7486-315	7486-315	7486-315
15	Cap, Plastic	4510-100	4510-100	4510-100	4510-100	4510-100	4510-100	4510-100	4510-100
16	Key, Die Holder	7485-083	7485-083	7485-083	7485-083	7485-083	7485-083	7485-083	7485-083
17	Key, Die Holder	7485-084	7485-084	7485-084	7485-084	7485-084	7485-084	7485-084	7485-084
18	Holder, Die	7435-905	7435-906	7485-078	7485-079	7485-080	7485-078	7485-079	7485-080
19	Screw, Soc. Hd. Cap	3303-082	3303-082	3303-082	3303-082	3303-082	3303-082	3303-082	3303-082
20	Ram, Press Brake	7437-643	7437-644	7237-348	7237-344	7237-339	7237-335	7237-354	
21	Motor	4422-013	4422-013	4424-013	4424-013	4424-013	4426-053	4426-053	4426-053
22	Flange, Pump	3257-061	3257-061	3257-061	3257-061	3257-061	3257-062	3257-062	3257-062
23	Coupling	3428-211	3428-211	3428-211	3428-211	3428-211	3428-218	3428-218	3428-218
24	Pump	3257-128	3257-128	3257-208	3257-208	3257-208	3257-208	3257-208	3257-208
25	Filter, Pump	3764-307	3764-307	3764-304	3764-304	3764-304	3764-304	3764-304	3764-304
26	Cover, Cyl. Rod Nut	7437-014	7437-014	7437-200	7437-200	7437-200	7437-200	7437-200	7437-200
27	Bar, Clamp	7437-160	7437-160	7437-160	7437-160	7437-160	7437-160	7437-160	7437-160
28	Filter, Cylinder	3764-302	3764-302	3764-308	3764-308	3764-308	3764-308	3764-308	3764-308

PARTS NO.	DESCRIPTION	MTH	MTH	MTH	MTH	MTH
		175-120	175-144	175-168	250-168	350-168
13	Handrail	3859-210	3859-212	3859-214	3859-214	3859-214
14	Bracket, Handrail Mtg.	7486-315	7486-315	7486-315	7486-315	7486-315
15	Cap, Plastic	4510-100	4510-100	4510-100	4510-100	4510-100
16	Key, Die Holder	7485-083	7485-083	7485-083	7485-083	7485-083
17	Key, Die Holder	7485-084	7485-084	7485-084	7485-084	7485-084
18	Holder, Die	7485-078	7485-079	7485-080	7485-080	7485-080
19	Screw, Soc. Hd. Cap	3303-082	3303-082	3303-082	3303-082	3303-082
20	Ram, Press Brake		7237-346	7237-363	7437-549	7437-639
21	Motor	4426-053	4426-053	4426-053	4428-014	4428-014
22	Flange, Pump	3257-062	3257-062	3257-062	3257-073	3257-073
23	Coupling	3428-218	3428-218	3428-218	3428-218	3428-218
24	Pump	3257-209	3257-209	3257-209	3257-169	3257-169
25	Filter, Pump	3764-313	3764-313	3764-313	3764-304	3764-304
26	Cover, Cyl. Rod Nut	7437-200	7437-200	7437-200	7437-200	7489-017
27	Bar, Clamp	7437-160	7437-160	7437-160	7488-282	7488-282
28	Filter, Cylinder	3764-308	3764-308	3764-308	3764-308	3764-308

MTH SERIES PRESS BRAKES

GIBBING CONFIGURATION



PARTS NO.	DESCRIPTION	MTH	MTH	MTH	MTH	MTH	MTH	MTH	MTH
		60-72	60-96	100-120	100-144	100-168	140-120	140-144	140-168
35	Bearing, Roller	3107-214	3107-214	3107-214	3107-214	3107-214	3107-214	3107-214	3107-214
36	Shaft, Cam Follower	7437-006	7437-006	7437-006	7437-006	7437-006	7437-006	7437-006	7437-006
37	Screw, Soc. Hd. Cap	3303-115	3303-115	3303-115	3303-115	3303-115	3303-115	3303-115	3303-115
38	Washer, Lock	3327-007	3327-007	3327-007	3327-007	3327-007	3327-007	3327-007	3327-007
39	Block, Roller Mtg.	7437-007	7437-007	7437-007	7437-007	7437-007	7437-007	7437-007	7437-007
40	Bracket, Ram	7037-034	7037-034	7037-029	7037-029	7037-029	7037-029	7037-029	7037-029
41	Screw, Sq. Hd. Set	3310-036	3310-036	3310-036	3310-036	3310-036	3310-036	3310-036	3310-036
42	Way, Ram	7437-004	7437-004	7437-158	7437-158	7437-158	7437-158	7437-158	7437-158
43	Gib, Ram Front	7437-017	7437-017	7437-155	7437-155	7437-155	7437-155	7437-155	7437-155
44	Gib, Ram Rear	7437-018	7437-018	7437-156	7437-156	7437-156	7437-156	7437-156	7437-156
45	Block, Upper Gib	7437-444	7437-444	7437-460	7437-460	7437-460	7437-460	7437-460	7437-460

PARTS NO.	DESCRIPTION	MTH	MTH	MTH	MTH	MTH
		175-120	175-144	175-168	250-168	350-168
35	Bearing, Roller	3107-214	3107-214	3107-214	3107-214	3107-220
36	Shaft, Cam Follower	7437-006	7437-006	7437-006	7437-006	7489-010
37	Screw, Soc. Hd. Cap	3303-115	3303-115	3303-115	3303-115	3303-136
38	Washer, Lock	3327-007	3327-007	3327-007	3327-007	3327-009
39	Block, Roller Mtg.	7437-007	7437-007	7437-007	7437-007	7489-011
40	Bracket, Ram	7037-029	7037-029	7037-029	7037-029	7089-001
41	Screw, Sq. Hd. Set	3310-036	3310-036	3310-036	3310-036	3310-056
42	Way, Ram	7437-158	7437-158	7437-158	7437-158	7489-009
43	Gib, Ram Front	7437-155	7437-155	7437-155	7437-155	7489-005
44	Gib, Ram Rear	7437-156	7437-156	7437-156	7437-156	7489-008
45	Block, Upper Gib	7437-460	7437-190	7437-190	7437-460	7437-460

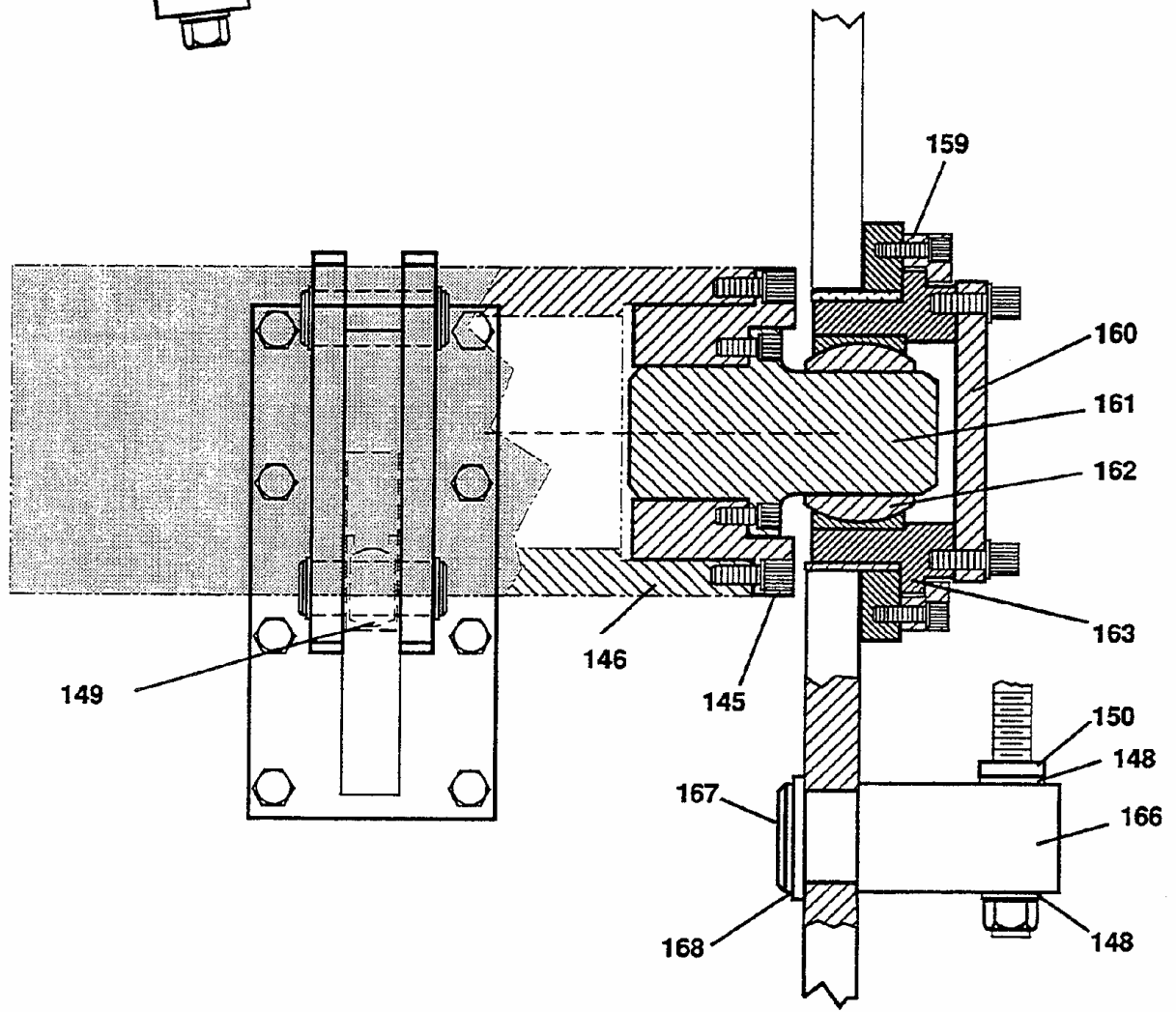
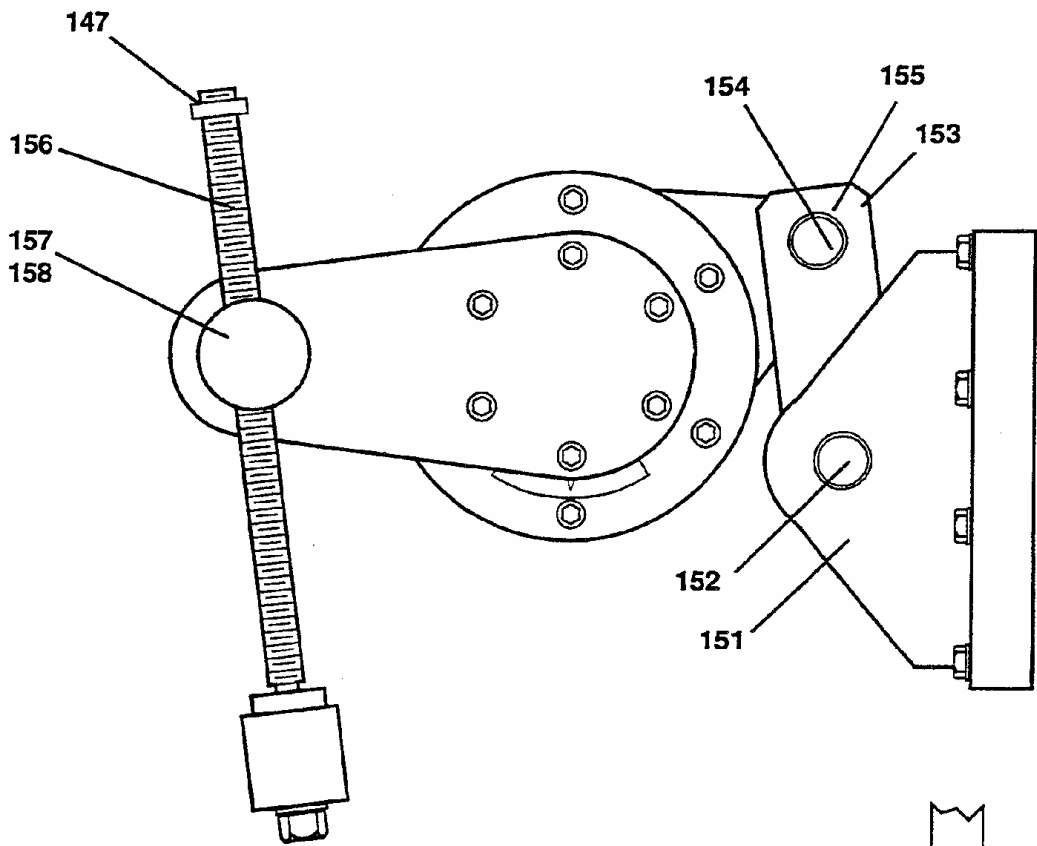
CYLINDER ASSEMBLY

ITEM NO.	DESCRIPTION	MTH	MTH	MTH	MTH	MTH	MTH	MTH	MTH
		60-72	60-96	100-120	100-144	100-168	140-120	140-144	140-168
77	O-Ring	3255-199	3255-199	3255-248	3255-248	3255-248	3255-248	3255-248	3255-248
78	Back-Up, O-Ring	3255-418	3255-418	3255-442	3255-442	3255-442	3255-442	3255-442	3255-442
79	O-Ring	3255-177	3255-177	3255-182	3255-182	3255-182	3255-182	3255-182	3255-182
80	O-Ring	3255-201	3255-201	3255-246	3255-246	3255-246	3255-246	3255-246	3255-246
81	Cap, Cylinder Top	7437-422	7437-422	7437-666	7437-666	7437-666	7437-666	7437-666	7437-666
82	Screw	3303-630	3303-630	3303-633	3303-633	3303-633	3303-633	3303-633	3303-63
83	Back-Up, O-Ring	3255-420	3255-420	3255-322	3255-322	3255-322	3255-322	3255-322	3255-322
84	O-Ring	3255-112	3255-112	3255-121	3255-121	3255-121	3255-121	3255-121	3255-12
85	Screw			3303-130	3303-130	3303-130	3303-130	3303-130	3303-130
86	Cap, Fill Valve	7437-427	7437-427	7437-432	7437-432	7437-432	7437-432	7437-432	7437-432
88	Fitting			3822-183	3822-183	3822-183	3822-183	3822-183	3822-183
89	Spring, Valve	3510-500	3510-500	3510-510	3510-510	3510-510	3510-510	3510-510	3510-510
90	Retainer, Fill Valve Spring	7437-433	7437-433	7437-437	7437-437	7437-437	7437-437	7437-437	7437-437
91	Valve	3760-040	3760-040	3760-017	3760-017	3760-017	3760-017	3760-017	3760-017
92	Fitting			3822-185	3822-185	3822-185	3822-185	3822-185	3822-185
93	Screw			3303-127	3303-127	3303-127	3303-127	3303-127	3303-127
94	O-Ring			3255-104	3255-104	3255-104	3255-104	3255-104	3255-104
95	Ell, 90 Deg.			3822-212	3822-212	3822-212	3822-212	3822-212	3822-212
96	Plug			3838-033	3838-033	3838-033	3838-033	3838-033	3838-033
97	Screw			3303-151	3303-151	3303-151	3303-151	3303-151	3303-151

ITEM NO.	DESCRIPTION	MTH	MTH	MTH	MTH	MTH
		175-120	175-144	175-168	250-168	350-168
65	Housing, Cylinder	7437-664	7437-664	7437-664	7437-470	7437-535
66	O-Ring	3255-252	3255-252	3255-252	3255-255	3255-259
67	O-Ring, Backup	3255-446	3255-446	3255-446	3255-448	3255-455
68	Seal, Step - Rod	3211-830	3211-830	3211-830	3211-841	3211-839
69	Bearing, Rod	3188-027	3188-027	3188-027	3188-028	3188-029
70	Seal, Step - Rod	3211-829	3211-829	3211-829	3211-837	3211-838
71	Wiper	3211-830	3211-830	3211-830	3211-721	3211-724
72	Rod, Piston	7437-384	7437-384	7437-384	7437-479	7437-534
73	Cap, Cylinder Rod	7437-782	7437-782	7437-782	7437-466	7437-533
74	Screw	3303-111	3303-111	3303-111	3303-129	3303-145
75	Bearing, Piston	3188-025	3188-025	3188-025	3188-032	3188-034
76	Seal, Piston	3211-840	3211-840	3211-840	3211-844	3211-846
77	O-Ring	3255-250	3255-250	3255-250	3255-254	3255-257
78	Back-Up, O-Ring	3255-444	3255-444	3255-444	3255-447	3255-454
79	O-Ring	3255-118	3255-118	3255-118	3255-182	3255-184
80	O-Ring				3255-252	3255-256
81	Cap, Cylinder Top	7437-661	7437-661	7437-661	7437-465	7437-532
82	Screw	3303-633	3303-633	3303-633	3303-633	3303-633
83	Back-Up, O-Ring	3255-322	3255-322	3255-322	3255-322	3255-322
84	O-Ring	3255-121	3255-121	3255-121	3255-121	3255-121
85	Screw				3303-130	3303-130
86	Cap, Fill Valve	7437-351	7437-351	7437-351	7437-432	7437-432
87	Plug, Orifice	7437-341	7437-341	7437-341	7437-298	7437-298
88	Fitting	3822-185	3822-185	3822-185	3822-183	3822-210
89	Spring, Valve	3510-510	3510-510	3510-510	3510-510	3510-510
90	Retainer, Fill Valve Spring	7437-181	7437-181	7437-181	7437-468	7437-536
91	Valve	3760-017	3760-017	3760-017	3760-017	3760-017
92	Fitting	3822-185	3822-185	3822-185	3822-188	3822-188
93	Screw				3303-144	3303-167
94	O-Ring				3255-110	3255-114
95	Ell, 90 Deg.	3822-212	3822-212	3822-212	3822-215	3822-215
96	Plug	3838-018	3838-018	3838-018	3838-034	3838-034
97	Screw				3303-186	3303-218

MTH PRESS BRAKES

TORQUE SHAFT ASSEMBLY



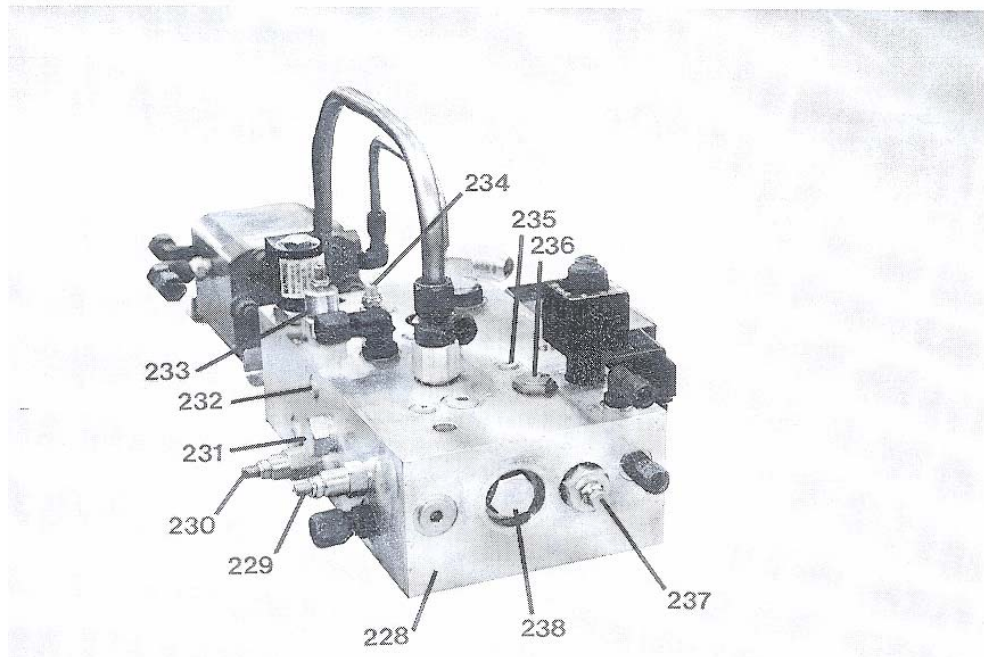
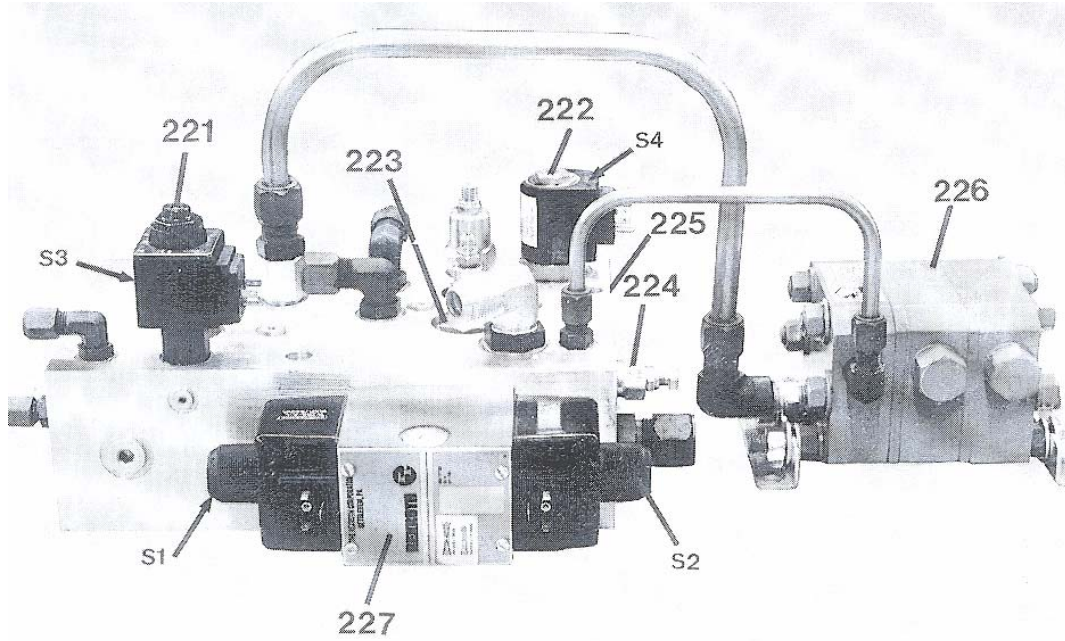
TORQUE SHAFT ASSEMBLY

ITEM NO.	DESCRIPTION	MTH	MTH	MTH	MTH	MTH	MTH	MTH	MTH
		60-72	60-96	100-120	100-144	100-168	140-120	140-144	140-168
145	Sleeve, Torque Shaft Bearing	7437-625	7437-625	7437-601	7437-601	7437-601	7437-601	7437-601	7437-601
146	Shaft, Torque	7237-372	7237-373	7237-342	7237-341	7237-340	7237-342	7237-341	7237-340
147	Collar, Locking	3302-119	3302-119	3302-119	3302-119	3302-119	3302-119	3302-119	3302-119
148	Washer, Thrust	3105-123	3105-123	3105-123	3105-123	3105-123	3105-123	3105-123	3105-123
149	Bearing, Self Align	3130-010	3130-010	3130-017	3130-017	3130-017	3130-017	3130-017	3130-017
150	Collar, Locking	3302-117	3302-117	3302-117	3302-117	3302-117	3302-117	3302-117	3302-117
151	Bracket, Conn. Link	7237-370	7237-370	7237-336	7237-336	7237-336	7237-336	7237-336	7237-336
152	Pin, Lower Pivot	7437-633	7437-633	7437-412	7437-412	7437-412	7437-412	7437-412	7437-412
153	Link, Torque Shaft	7437-635	7437-635	7437-413	7437-413	7437-413	7437-413	7437-413	7437-413
154	Pin, Torque Shaft Link	7437-634	7437-634	7437-237	7437-237	7437-237	7437-237	7437-237	7437-237
155	Ring, Waldes External	3351-032	3351-032	3351-045	3351-045	3351-045	3351-045	3351-045	3351-045
156	Screw, Torque Shaft	3358-315	3358-315	3358-320	3358-320	3358-320	3358-320	3358-320	3358-320
157	Retainer, Tilt Adj. Nut	7437-505	7437-505	7437-505	7437-505	7437-505	7437-505	7437-505	7437-505
158	Nut, Torque Screw	3358-315	3358-315	3358-320	3358-320	3358-320	3358-320	3358-320	3358-320
159	Ring, Bearing Retaining	7437-620	7437-620	7437-596	7437-596	7437-596	7437-596	7437-596	7437-596
160	Arm, Torque Shaft Adj.	7437-626	7437-626	7437-609	7437-609	7437-609	7437-609	7437-609	7437-609
161	Pivot, Torque Shaft, L.H.	7437-619	7437-619	7437-595	7437-595	7437-595	7437-595	7437-595	7437-595
162	Brg. Self Align	3130-144	3130-144	3130-150	3130-150	3130-150	3130-150	3130-150	3130-150
163	Bearing, Tilt Adj. Eccentric	7437-622	7437-622	7437-607	7437-607	7437-607	7437-607	7437-607	7437-607
166	Block, Tilt Screw Mtg.	7437-621	7437-621	7437-599	7437-599	7437-599	7437-610	7437-610	7437-610
167	Ring, Waldes External	3351-065	3351-065	3351-065	3351-065	3351-065	3351-065	3351-065	3351-065
168	Washer, Tilt Screw Mtg. Block	7437-504	7437-504	7437-504	7437-504	7437-504	7437-504	7437-504	7437-504

ITEM NO.	DESCRIPTION	MTH	MTH	MTH	MTH	MTH
		175-120	175-144	175-168	250-168	350-168
145	Sleeve, Torque Shaft Bearing	7437-601	7437-601	7437-601	7437-520	7437-572
146	Shaft, Torque	7237-342	7237-341	7237-340	7237-300	7237-371
147	Collar, Locking	3302-119	3302-119	3302-119	3302-119	3302-119
148	Washer, Thrust	3105-123	3105-123	3105-123	3105-123	3105-123
149	Bearing, Self Align	3130-017	3130-017	3130-017	3130-018	3130-021
150	Collar, Locking	3302-117	3302-117	3302-117	3302-117	3302-117
151	Bracket, Conn. Link	7237-336	7237-336	7237-336	7237-301	7237-325
152	Pin, Lower Pivot	7437-412	7437-412	7437-412	7437-517	7437-583
153	Link, Torque Shaft	7437-413	7437-413	7437-413	7437-516	7437-582
154	Pin, Torque Shaft Link	7437-237	7437-237	7437-237	7437-518	7437-584
155	Ring, Waldes External	3351-045	3351-045	3351-045	3351-050	3351-062
156	Screw, Torque Shaft	3358-320	3358-320	3358-320	3358-325	3358-330
157	Retainer, Tilt Adj. Nut	7437-505	7437-505	7437-505	7437-505	7437-505
158	Nut, Torque Screw	3358-320	3358-320	3358-320	3358-325	3358-330
159	Ring, Bearing Retaining	7437-596	7437-596	7437-596	7437-561	7437-576
160	Arm, Torque Shaft Adj.	7437-609	7437-609	7437-609	7437-558	7437-578
161	Pivot, Torque Shaft, L.H.	7437-595	7437-595	7437-595	7437-553	7437-569
162	Brg. Self Align	3130-150	3130-150	3130-150	3130-191	3130-192
163	Bearing, Tilt Adj. Eccentric	7437-607	7437-607	7437-607	7437-559	7437-574
166	Block, Tilt Screw Mtg.	7437-610	7437-610	7437-610	7437-560	7437-581
167	Ring, Waldes External	3351-065	3351-065	3351-065	3351-065	3351-065
168	Washer, Tilt Screw Mtg. Block	7437-504	7437-504	7437-504	7437-504	7437-504

MTH PRESS BRAKES

CONTROL MANIFOLD



CONTROL MANIFOLD

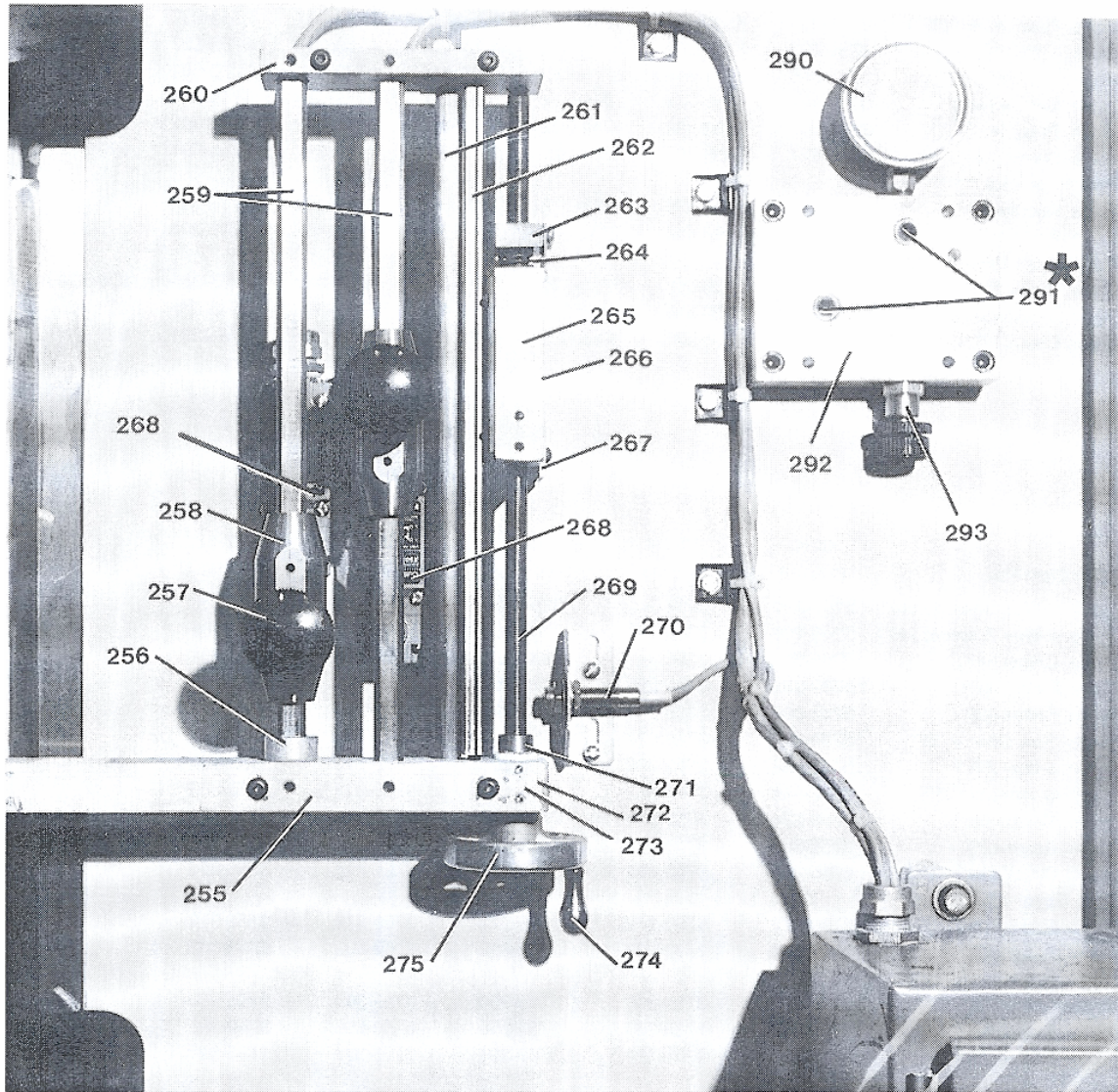
ITEM NO.	DESCRIPTION	MTH 60-72	MTH 60-96	MTH 100-120	MTH 100-144	MTH 100-168	MTH 140-120	MTH 140-144	MTH 140-168
221	Valve, 3-Way Solenoid (50°)	3751-310	3751-310	3751-310	3751-310	3751-310	3751-310	3751-310	3751-310
222	Valve, 2-Way Solenoid (49°)	3749-106	3749-106	3749-106	3749-106	3749-106	3749-106	3749-106	3749-106
223	Valve, Check (40°)	3755-391	3755-391	3755-391	3755-391	3755-391	3755-391	3755-391	3755-391
224	Valve, Relief (42°)	3762-295	3762-295	3762-295	3762-295	3762-295	3762-295	3762-295	3762-295
225	Valve, Check (48°)	3755-394	3755-394	3755-394	3755-394	3755-394	3755-394	3755-394	3755-394
226	Valve, Flow Divider (56°)	3759-038	3759-038	3759-037	3759-037	3759-037	3759-037	3759-037	3759-037
227	Valve, 4-Way (55°)	3759-292	3759-292	3759-292	3759-292	3759-292	3759-292	3759-292	3759-292
228	Manifold, Control (19°)	3773-665	3773-665	3773-665	3773-665	3773-665	3773-665	3773-665	3773-665
229	Valve, Needle (46°)	3759-374	3759-374	3759-374	3759-374	3759-374	3759-374	3759-374	3759-374
230	Valve, Relief (43°)	3762-302	3762-302	3762-302	3762-302	3762-302	3762-302	3762-302	3762-302
231	Valve, Check (38°)	3755-391	3755-391	3755-391	3755-391	3755-391	3755-391	3755-391	3755-391
232	Port, Gage - Up (11°)								
233	Valve, Needle (39°)	3759-372	3759-372	3759-372	3759-372	3759-372	3759-372	3759-372	3759-372
234	Valve, Relief (45°)	3762-302	3762-302	3762-302	3762-302	3762-302	3762-302	3762-302	3762-302
235	Port, Gage - Down (12°)								
236	Valve, Check (53°)	3755-360	3755-360	3755-360	3755-360	3755-360	3755-360	3755-360	3755-360
237	Valve, Sequence (35°)	3759-356	3759-356	3759-356	3759-356	3759-356	3759-356	3759-356	3759-356
238	Valve, Check (37°)	3755-391	3755-391	3755-391	3755-391	3755-391	3755-391	3755-391	3755-391

ITEM NO.	DESCRIPTION	MTH 175-120	MTH 175-144	MTH 175-168	MTH 250-168	MTH 350-168
221	Valve, 3-Way Solenoid (50°)	3751-310	3751-310	3751-310	3751-310	3751-310
222	Valve, 2-Way Solenoid (49°)	3749-106	3749-106	3749-106	3749-106	3749-106
223	Valve, Check (40°)	3755-391	3755-391	3755-391	3755-391	3755-391
224	Valve, Relief (42°)	3762-295	3762-295	3762-295	3762-295	3762-295
225	Valve, Check (48°)	3755-394	3755-394	3755-394	3755-394	3755-394
226	Valve, Flow Divider (56°)	3759-037	3759-037	3759-037	3759-037(58°)	3759-037(58°)
227	Valve, 4-Way (55°)	3759-292	3759-292	3759-292	3759-292	3759-292
228	Manifold, Control (19°)	3773-665	3773-665	3773-665	3773-665	3773-665
229	Valve, Needle (46°)	3759-374	3759-374	3759-374	3759-374	3759-374
230	Valve, Relief 43°)	3762-302	3762-302	3762-302	3762-302	3762-302
231	Valve, Check (38°)	3755-391	3755-391	3755-391	3755-391	3755-391
232	Port, Gage - Up (11°)					
233	Valve, Needle (39°)	3759-372	3759-372	3759-372	3759-372	3759-372
234	Valve, Relief (45°)	3762-302	3762-302	3762-302	3762-302	3762-302
235	Port, Gage - Down (12°)					
236	Valve, Check (53°)	3755-360	3755-360	3755-360	3755-360	3755-360
237	Valve, Sequence (35°)	3759-356	3759-356	3759-356	3759-356	3759-356
238	Valve, Check (37°)	3755-391	3755-391	3755-391	3755-391	3755-391

***REFERENCE NUMBER SHOWN ON PAGE 14—HYDRAULIC SCHEMATIC**

MTH PRESS BRAKES

STROKE CONTROL



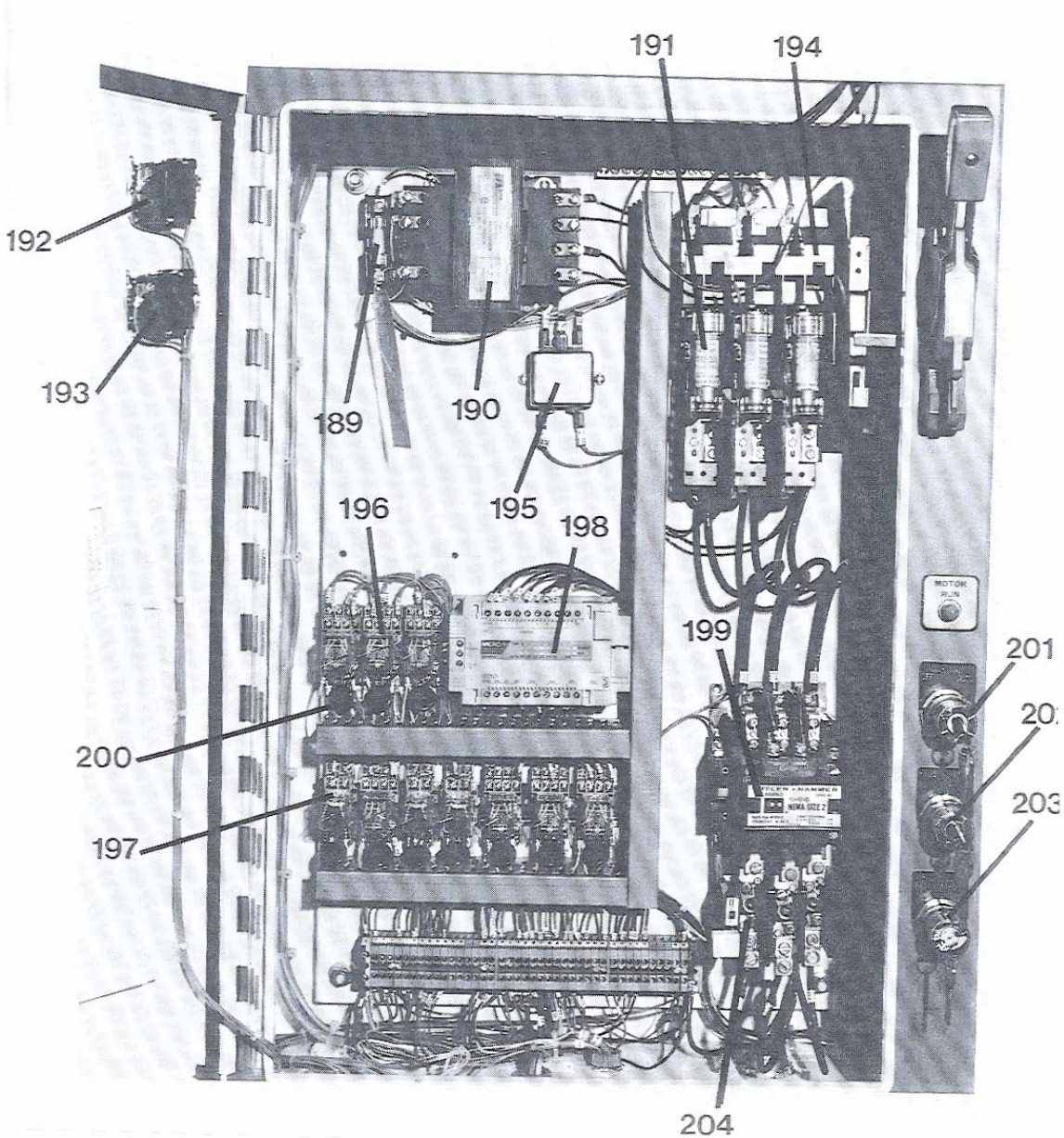
STROKE CONTROL

PARTS NO.	DESCRIPTION	MTH 60-72	MTH 60-96	MTH 100-120	MTH 100-144	MTH 100-168	MTH 140-120	MTH 140-144	MTH 140-168
255	Bracket, Stroke Adj.	7237-180	7237-180	7237-245	7237-245	7237-245	7237-245	7237-245	7237-245
256	Collar, Set	3302-011	3302-011	3302-011	3302-011	3302-011	3302-011	3302-011	3302-011
257	Knob, Plastic	2203-008	2203-008	2203-008	2203-008	2203-008	2203-008	2203-008	2203-008
258	Dog, Low Speed & Top Stop	7437-363	7437-363	7437-363	7437-363	7437-363	7437-363	7437-363	7437-363
259	Rod, Switch Dog	7437-367	7437-367	7437-418	7437-418	7437-418	7437-418	7437-418	7437-418
260	Support, Switch Rod	7437-362	7437-362	7437-362	7437-362	7437-362	7437-362	7437-362	7437-362
261	Rod, Bottom Stop	7437-366	7437-366	7437-417	7437-417	7437-417	7437-417	7437-417	7437-417
262	Bearing, Slide	3162-010	3162-010	3162-015	3162-015	3162-015	3162-015	3162-015	3162-015
263	Nut, Switch Guide	7488-113	7488-113	7488-113	7488-113	7488-113	7488-113	7488-113	7488-113
264	Spring, Compression	3504-078	3504-078	3504-078	3504-078	3504-078	3504-078	3504-078	3504-078
265	Guide, Switch Trip	7437-365	7437-365	7437-365	7437-365	7437-365	7437-365	7437-365	7437-365
266	Nut, Switch Guide	7488-141	7488-141	7488-141	7488-141	7488-141	7488-141	7488-141	7488-141
267	Trip, Prox. Switch	7437-370	7437-370	7437-370	7437-370	7437-370	7437-370	7437-370	7437-370
268	Switch, Limit	4114-105	4114-105	4114-105	4114-105	4114-105	4114-105	4114-105	4114-105
269	Screw, Switch Adj.	7437-364	7437-364	7437-415	7437-415	7437-415	7437-415	7437-415	7437-415
270	Switch, Proximity	4110-630	4110-630	4110-630	4110-630	4110-630	4110-630	4110-630	4110-630
271	Collar, Set	3302-009	3302-009	3302-009	3302-009	3302-009	3302-009	3302-009	3302-009
272	Bearing, Flange	3121-029	3121-029	3121-029	3121-029	3121-029	3121-029	3121-029	3121-029
273	Pointer	7437-376	7437-376	7437-376	7437-376	7437-376	7437-376	7437-376	7437-376
274	Handwheel	2203-761	2203-761	2203-761	2203-761	2203-761	2203-761	2203-761	2203-761
275	Scale, Handwheel	2205-407	2205-407	2205-407	2205-407	2205-407	2205-407	2205-407	2205-407
276	Cover (Not Shown)	7437-482	7437-482	7437-414	7437-414	7437-414	7437-414	7437-414	7437-414
290	Gauge, Pressure	3237-140	3237-140	3237-140	3237-140	3237-140	3237-140	3237-140	3237-140
291	Plug, Pressure	3801-004	3801-004	3801-004	3801-004	3801-004	3801-004	3801-004	3801-004
292	Manifold, Tonnage	3773-625	3773-625	3773-625	3773-625	3773-625	3773-625	3773-625	3773-625
293	Valve, Relief	3762-297	3762-297	3762-297	3762-297	3762-297	3762-297	3762-297	3762-297

PARTS NO.	DESCRIPTION	MTH 175-120	MTH 175-144	MTH 175-168	MTH 250-168	MTH 350-168
255	Bracket, Stroke Adj.	7237-218	7237-218	7237-218	7237-245	7237-245
256	Collar, Set	3302-011	3302-011	3302-011	3302-011	3302-011
257	Knob, Plastic	2203-008	2203-008	2203-008	2203-008	2203-008
258	Dog, Low Speed & Top Stop	7437-363	7437-363	7437-363	7437-363	7437-363
259	Rod, Switch Dog	7437-418	7437-418	7437-418	7437-500	7437-500
260	Support, Switch Rod	7437-362	7437-362	7437-362	7437-362	7437-362
261	Rod, Bottom Stop	7437-417	7437-417	7437-417	7437-499	7437-499
262	Bearing, Slide	3162-015	3162-015	3162-015	3162-016	3162-016
263	Nut, Switch Guide	7488-113	7488-113	7488-113	7488-113	7488-113
264	Spring, Compression	3504-078	3504-078	3504-078	3504-078	3504-078
265	Guide, Switch Trip	7437-365	7437-365	7437-365	7437-365	7437-365
266	Nut, Switch Guide	7488-141	7488-141	7488-141	7488-141	7488-141
267	Trip, Prox. Switch	7437-370	7437-370	7437-370	7437-370	7437-370
268	Switch, Limit	4114-105	4114-105	4114-105	4114-105	4114-105
269	Screw, Switch Adj.	7437-415	7437-415	7437-415	7437-497	7437-497
270	Switch, Proximity	4110-630	4110-630	4110-630	4110-630	4110-630
271	Collar, Set	3302-009	3302-009	3302-009	3302-009	3302-009
272	Bearing, Flange	3121-029	3121-029	3121-029	3121-029	3121-029
273	Pointer	7437-376	7437-376	7437-376	7437-376	7437-376
274	Handwheel	2203-761	2203-761	2203-761	2203-761	2203-761
275	Scale, Handwheel	2205-407	2205-407	2205-407	2205-407	2205-407
276	Cover (Not Shown)	7437-414	7437-414	7437-414	7437-496	7437-496
290	Gauge, Pressure	3237-140	3237-140	3237-140	3237-140	3237-140
291	Plug, Pressure	3801-004	3801-004	3801-004	3801-004	3801-004
292	Manifold, Tonnage	3773-625	3773-625	3773-625	3773-625	3773-625
293	Valve, Relief	3762-297	3762-297	3762-297	3762-297	3762-297

MTH PRESS BRAKES

ELECTRICALS



ELECTRICALS

PARTS NO.	DESCRIPTION	MTH 60-72	MTH 60-96	MTH 100-120	MTH 100-144	MTH 100-168	MTH 140-120	MTH 140-144	MTH 140-168
189	Fuse	4326-024	4326-024	4326-024	4326-024	4326-024	4326-024	4326-024	4326-024
190	Transformer	4177-703	4177-703	4177-703	4177-703	4177-703	4177-703	4177-703	4177-703
191	Fuse @ 230 Volt	4328-730	4328-730	4328-740	4328-740	4328-740	4328-750	4328-750	4328-750
191A	Fuse @ 460 Volt	4328-715	4328-715	4328-725	4328-725	4328-725	4328-730	4328-730	4328-730
192	Push Button - Start	STDE-030	STDE-030	STDE-030	STDE-030	STDE-030	STDE-030	STDE-030	STDE-030
193	Push Button - Stop	STDE-031	STDE-031	STDE-031	STDE-031	STDE-031	STDE-031	STDE-031	STDE-031
194	Disconnect	4171-102	4171-102	4171-107	4171-107	4171-107	4171-107	4171-107	4171-107
195	Filter	4197-175	4197-175	4197-175	4197-175	4197-175	4197-175	4197-175	4197-175
196	Relay	4136-601	4136-601	4136-601	4136-601	4136-601	4136-601	4136-601	4136-601
197	Relay	4136-674	4136-674	4136-674	4136-674	4136-674	4136-674	4136-674	4136-674
198	Prog. Log. Controller	4104-401-01	4104-401-01	4104-401-01	4104-401-01	4104-401-01	4104-401-01	4104-401-01	4104-401-01
199	Starter	4150-822	4150-822	4150-823	4150-823	4150-823	4150-823	4150-823	4150-823
200	Suppressor	3903-010	3903-010	3903-010	3903-010	3903-010	3903-010	3903-010	3903-010
201	Switch - Inch/Man/Auto	STDE-613	STDE-613	STDE-613	STDE-613	STDE-613	STDE-613	STDE-613	STDE-613
202	Switch - High/Low	STDE-453	STDE-453	STDE-453	STDE-453	STDE-453	STDE-453	STDE-453	STDE-453
203	Switch - Palm/Foot	STDE-453	STDE-453	STDE-453	STDE-453	STDE-453	STDE-453	STDE-453	STDE-453
204	Heater, Overload @ 230 V.	4125-512	4125-512	4125-514	4125-514	4125-514	4125-520	4125-520	4125-520
204A	Heater, Overload @ 460 V.	4125-510	4125-510	4125-511	4125-511	4125-511	4125-512	4125-512	4125-512

PARTS NO.	DESCRIPTION	MTH 175-120	MTH 175-144	MTH 175-168	MTH 250-168	MTH 350-168
189	Fuse	4326-024	4326-024	4326-024	4326-024	4326-024
190	Transformer	4177-703	4177-703	4177-703	4177-703	4177-703
191	Fuse @ 230 Volt	4328-750	4328-750	4328-750	4328-770	4328-770
191A	Fuse @ 460 Volt	4328-730	4328-730	4328-730	4328-740	4328-740
192	Push Button - Start	STDE-030	STDE-030	STDE-030	STDE-030	STDE-030
193	Push Button - Stop	STDE-031	STDE-031	STDE-031	STDE-031	STDE-031
194	Disconnect	4171-107	4171-107	4171-107	4171-112	4171-112
195	Filter	4197-175	4197-175	4197-175	4197-175	4197-175
196	Relay	4136-601	4136-601	4136-601	4136-601	4136-601
197	Relay	4136-674	4136-674	4136-674	4136-674	4136-674
198	Prog. Log. Controller	4104-401-01	4104-401-01	4104-401-01	4104-401-01	4104-401-01
199	Starter	4150-823	4150-823	4150-823	4150-824	4150-824
200	Suppressor	3903-010	3903-010	3903-010	3903-010	3903-010
201	Switch - Inch/Man/Auto	STDE-613	STDE-613	STDE-613	STDE-613	STDE-613
202	Switch - High/Low	STDE-453	STDE-453	STDE-453	STDE-453	STDE-453
203	Switch - Palm/Foot	STDE-453	STDE-453	STDE-453	STDE-453	STDE-453
204	Heater, Overload @ 230 V.	4125-520	4125-520	4125-520	4125-521	4125-521
204A	Heater, Overload @ 460 V.	4125-512	4125-512	4125-512	4125-519	4125-519