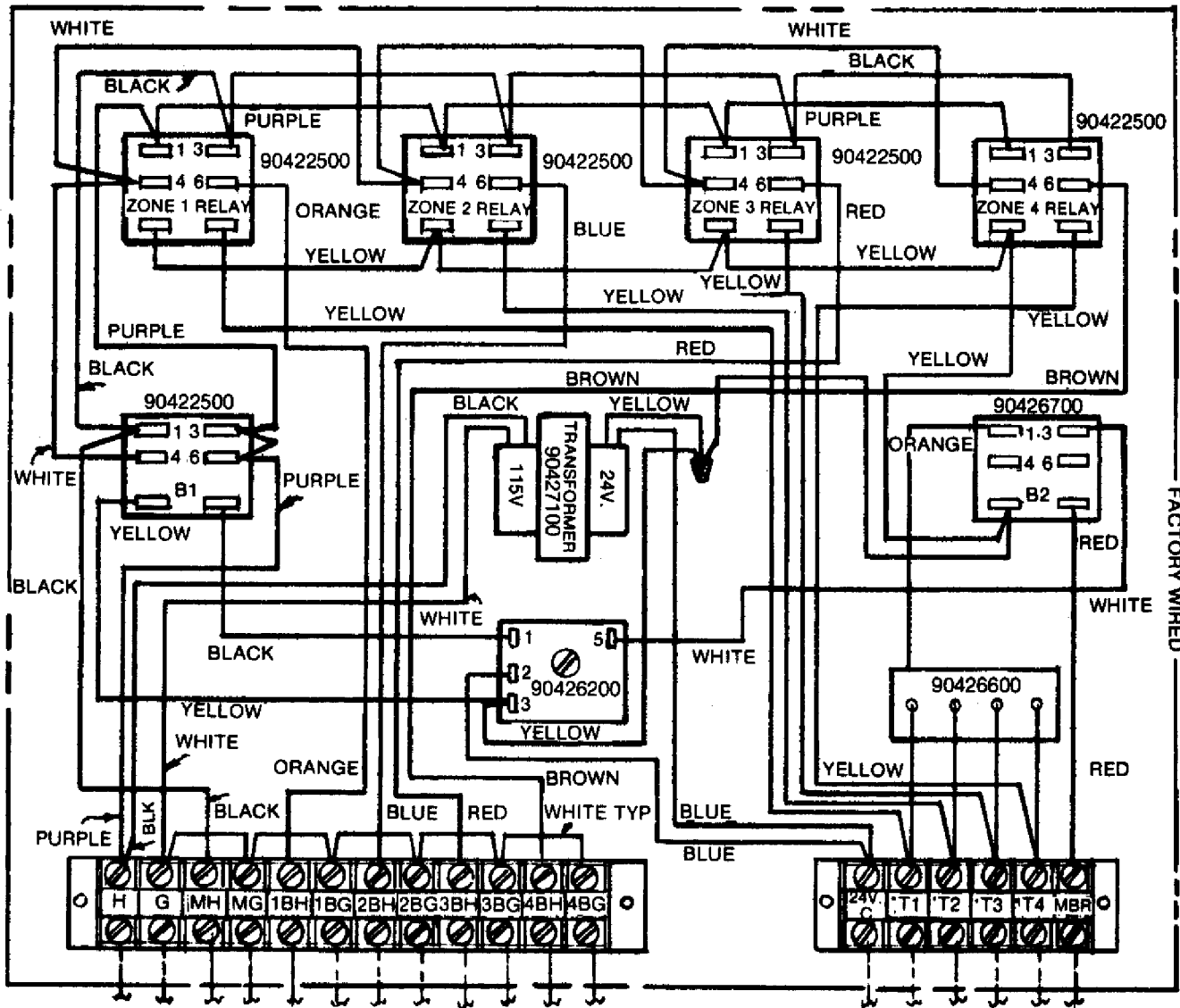


CO-RAY-VAC MODEL CRV "B" CONTROL PANEL P/N 01312302

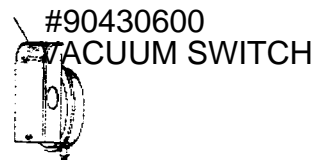
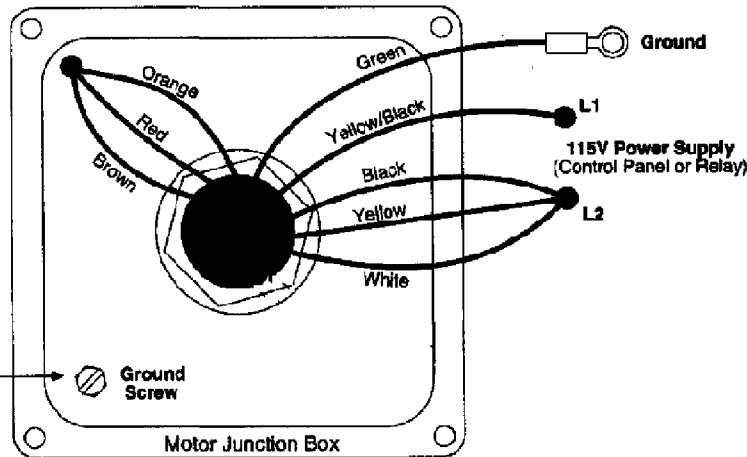
REV. 4-2000



THIS CONTROL PANEL WAS USED ON THE "B" SERIES BURNERS FROM 1981 TO 1992.

Magnetek TENV Motor:
 Clockwise Rotation
 (for counterclockwise rotation, interchange black and red leads)

Note: All motor models have either a green ground wire or a green grounding screw. The location of the screw may vary.



MOTOR INTERLOCK TO CONTROL PANEL IS NOW THROUGH VACUUM SWITCH MOUNTED TO PUMP INLET