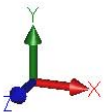
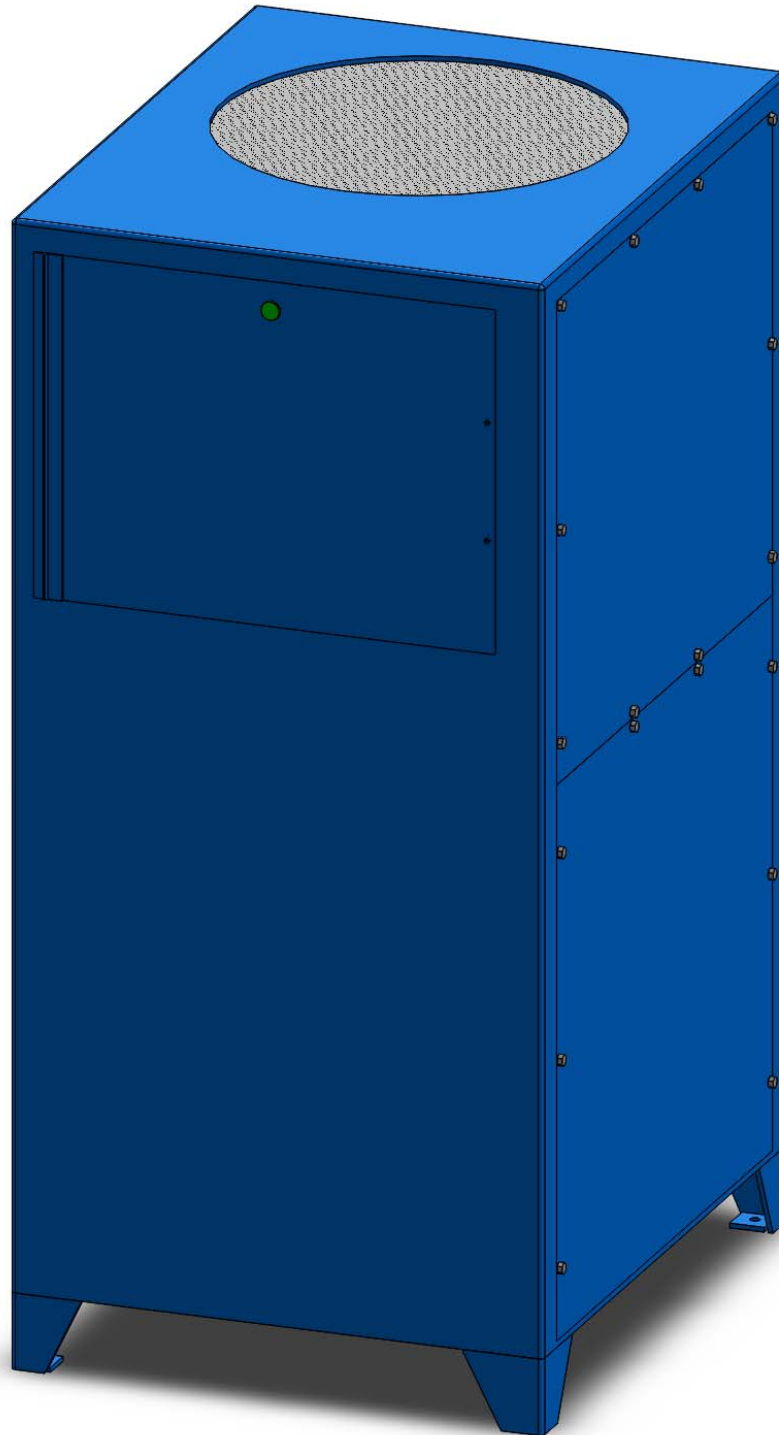
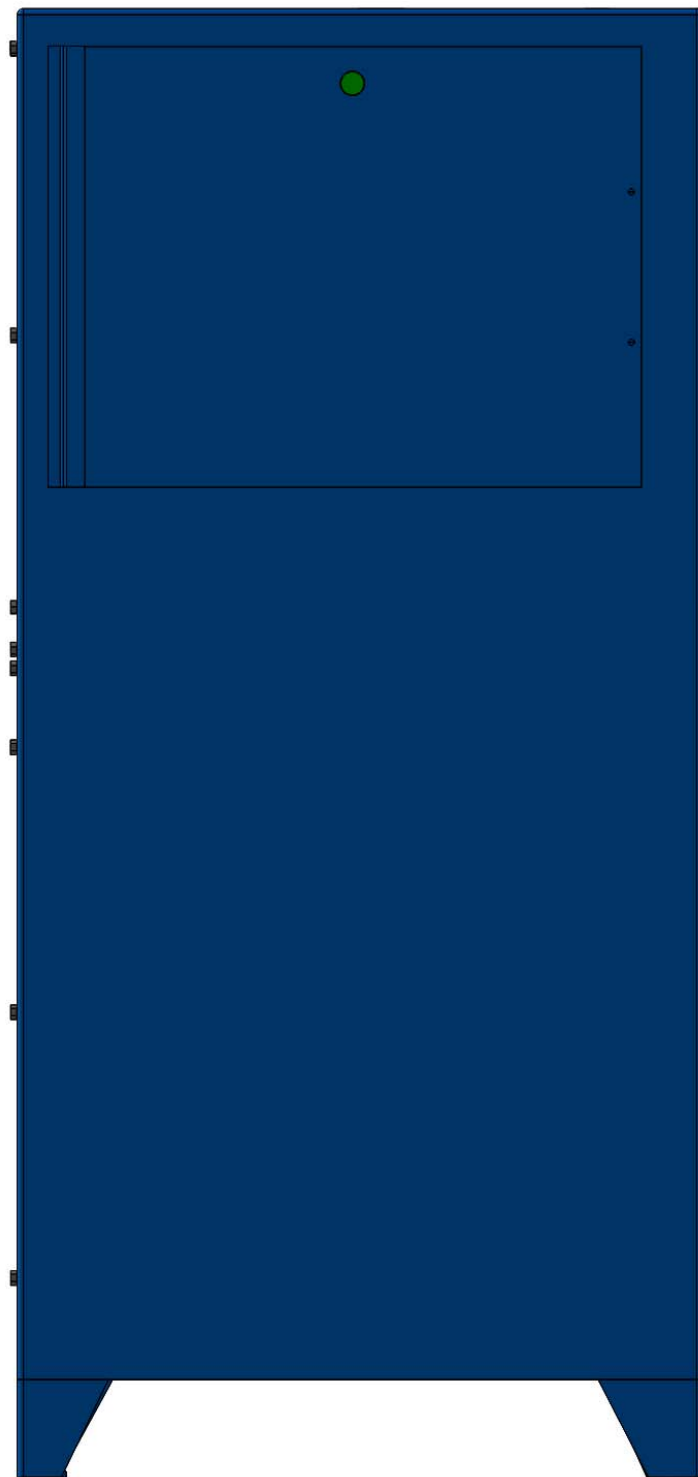


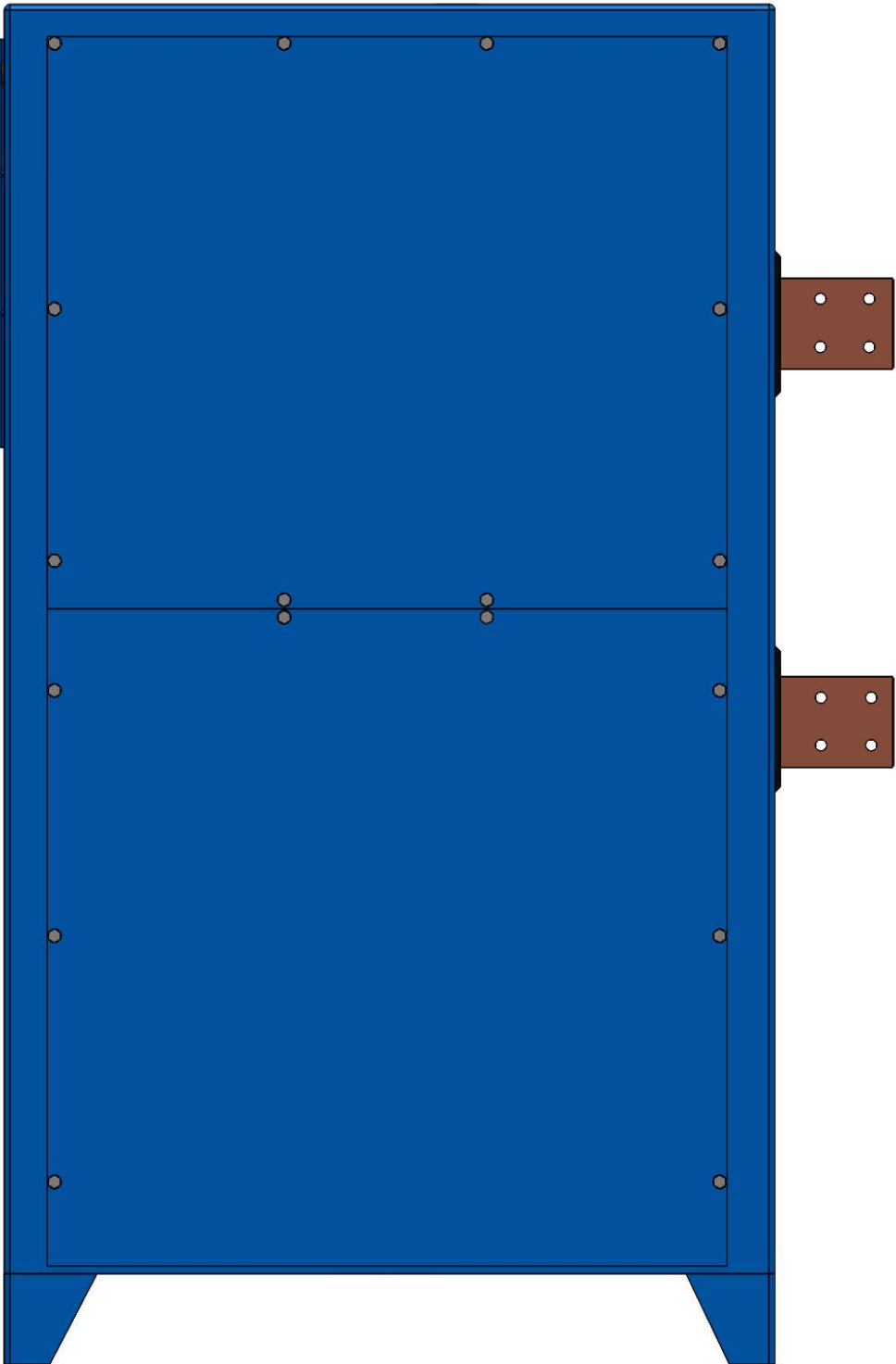
STEEL #2 AIR COOLED CABINET



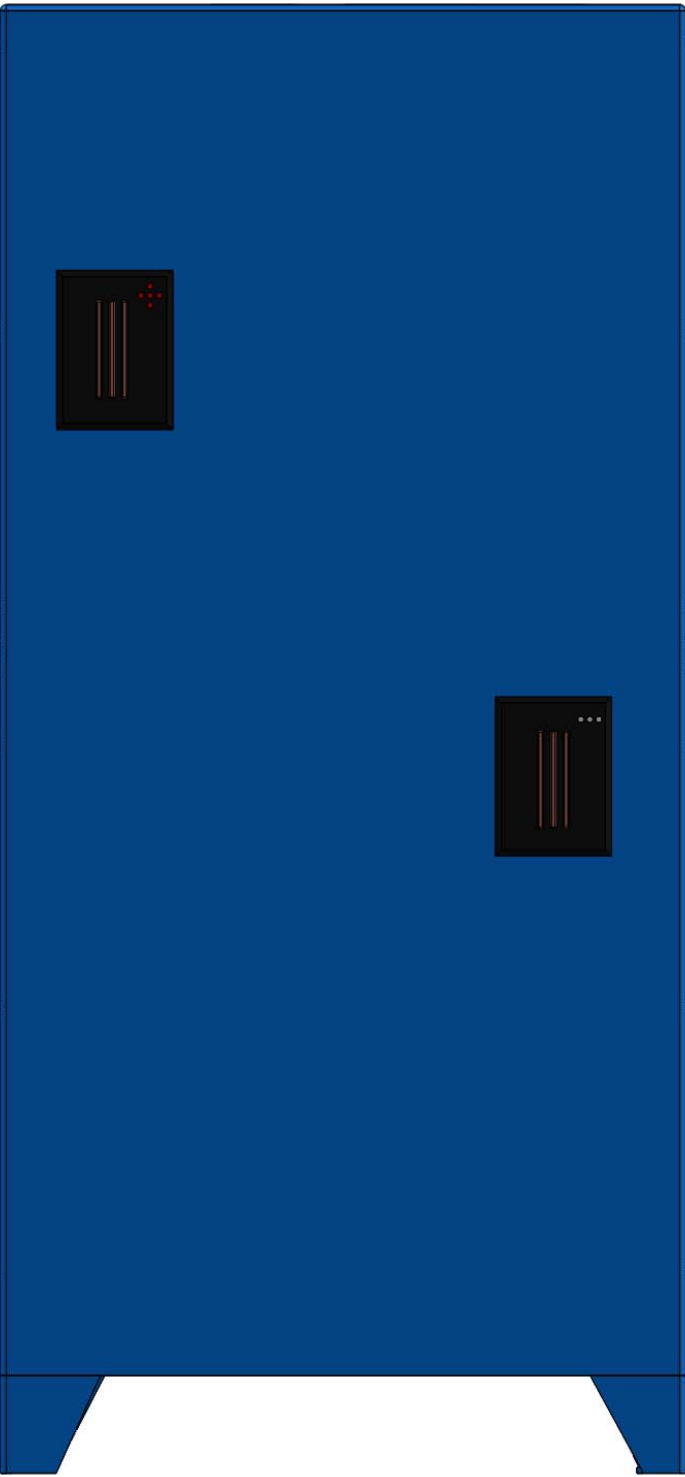
FRONT



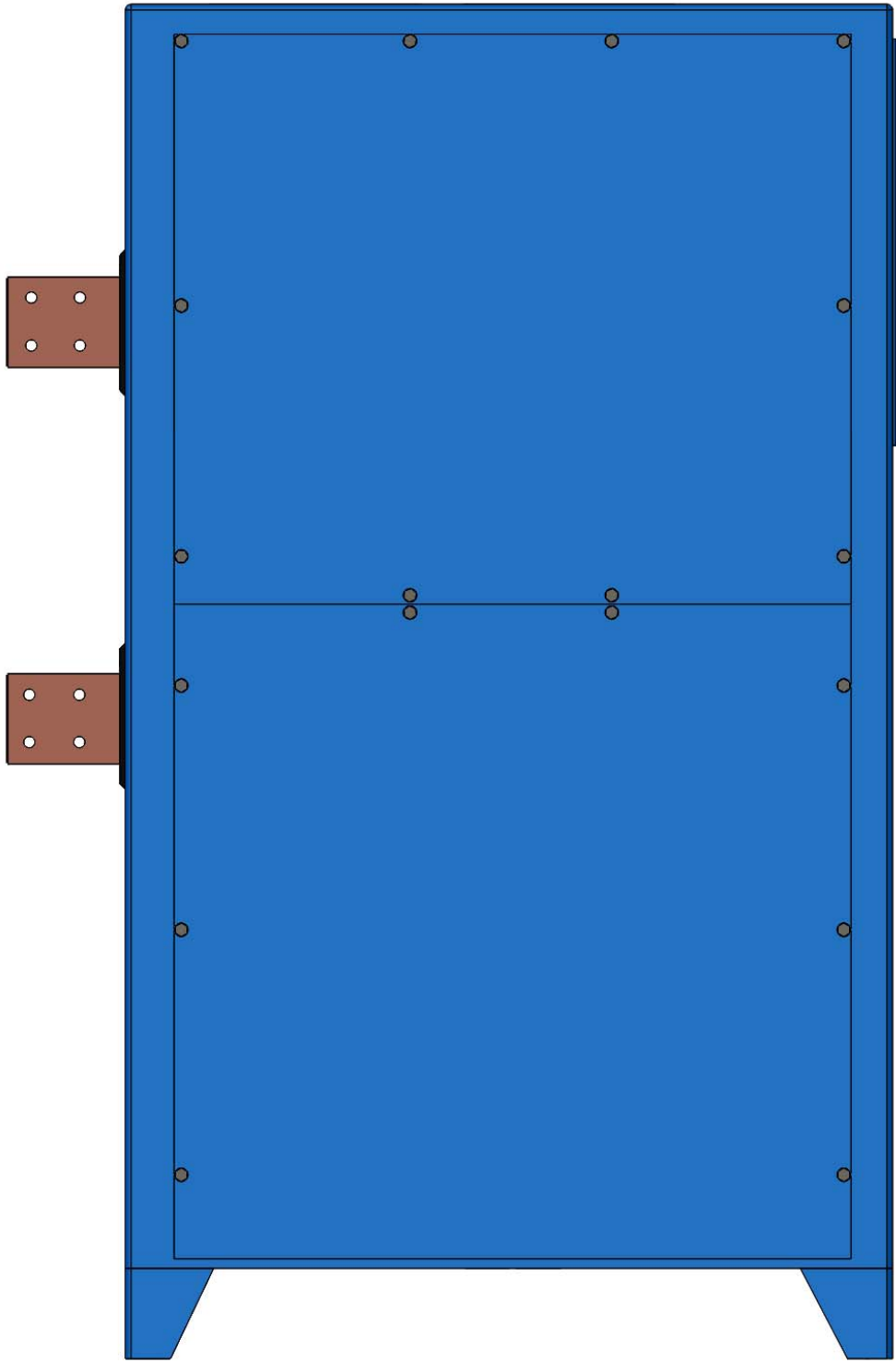
RIGHT



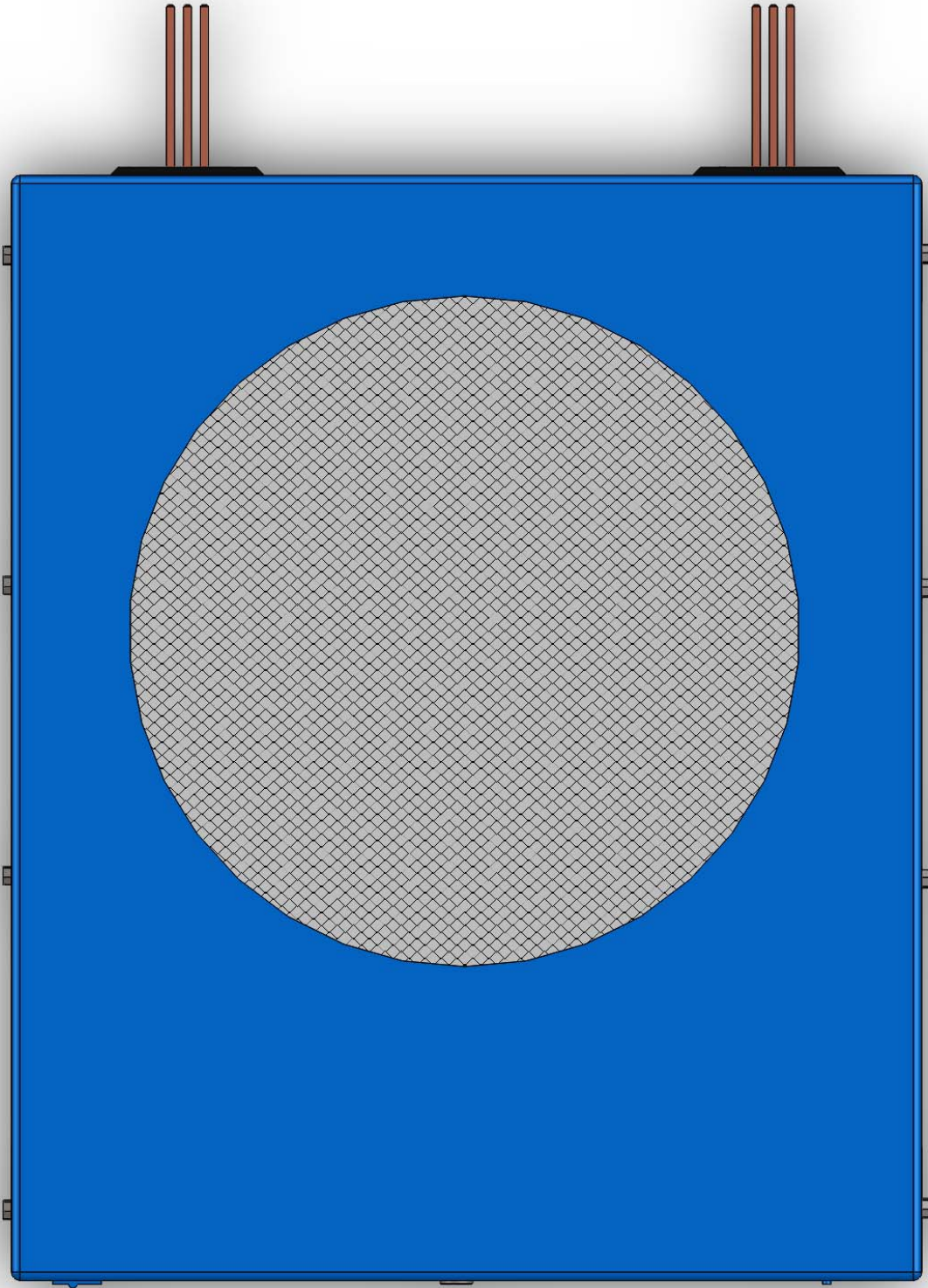
BACK

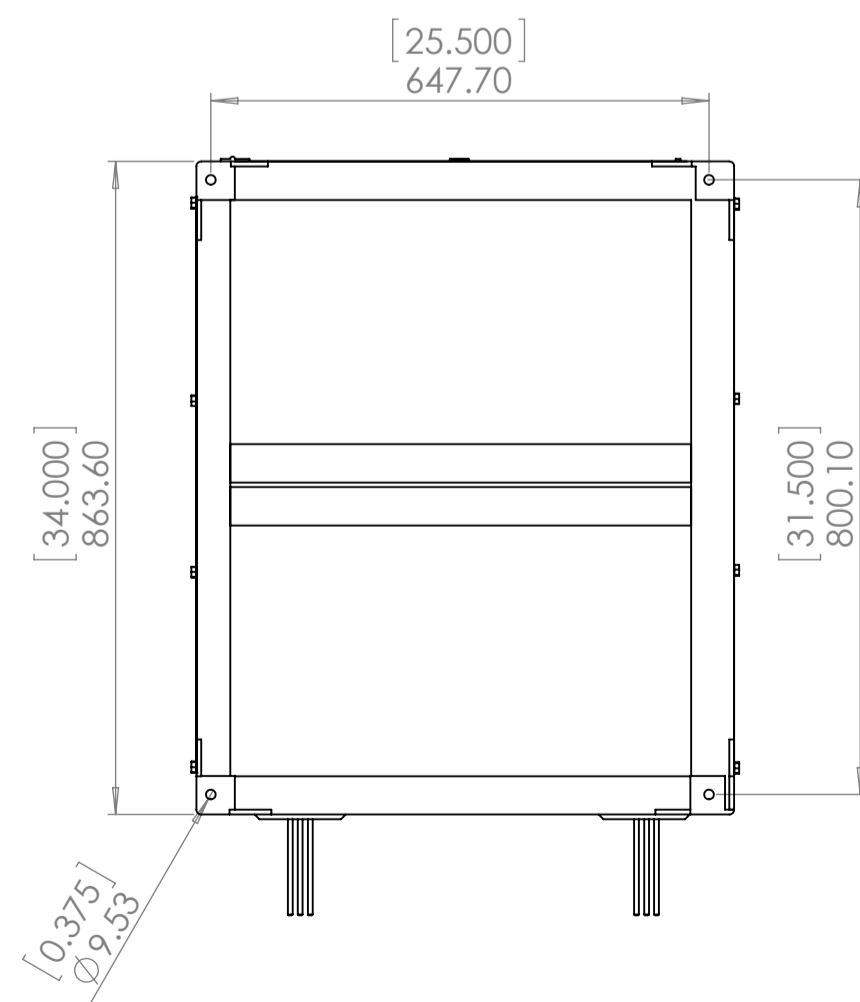
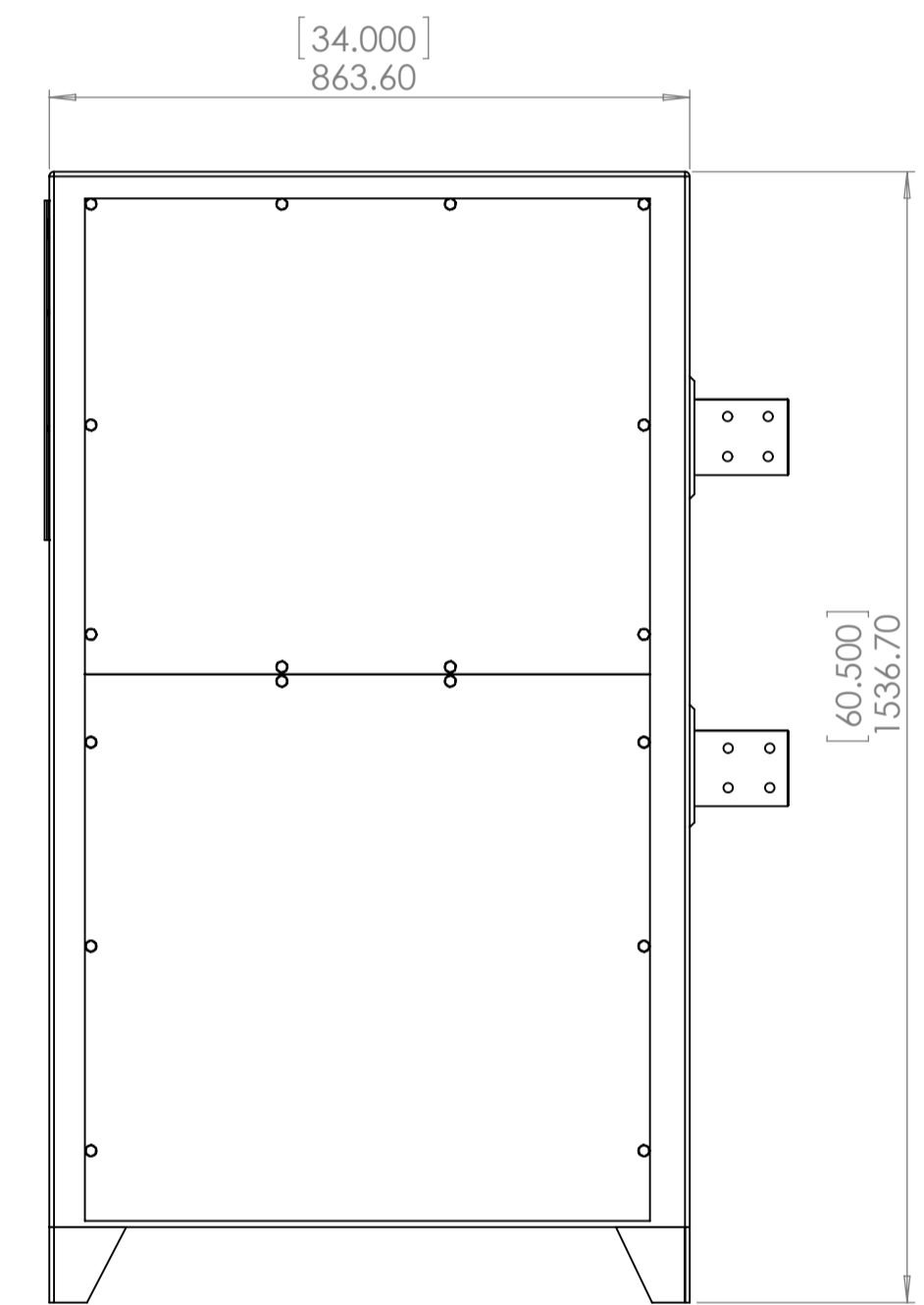
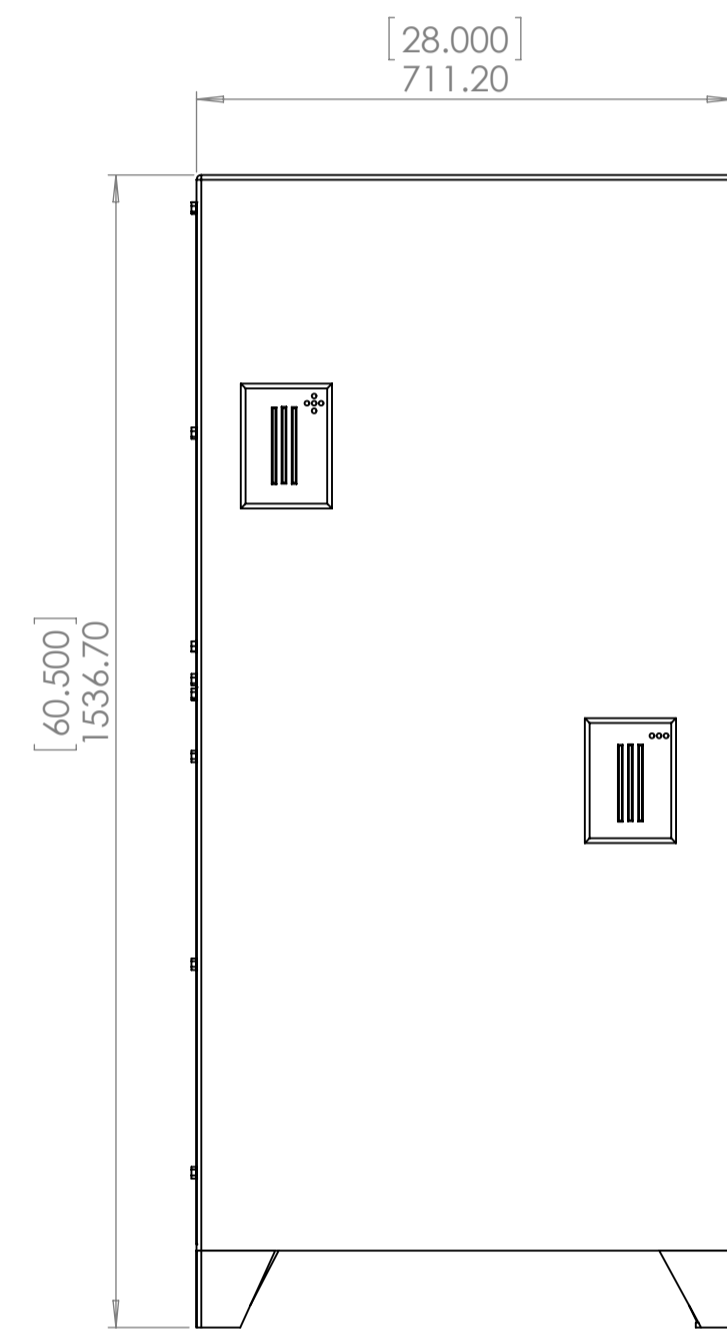
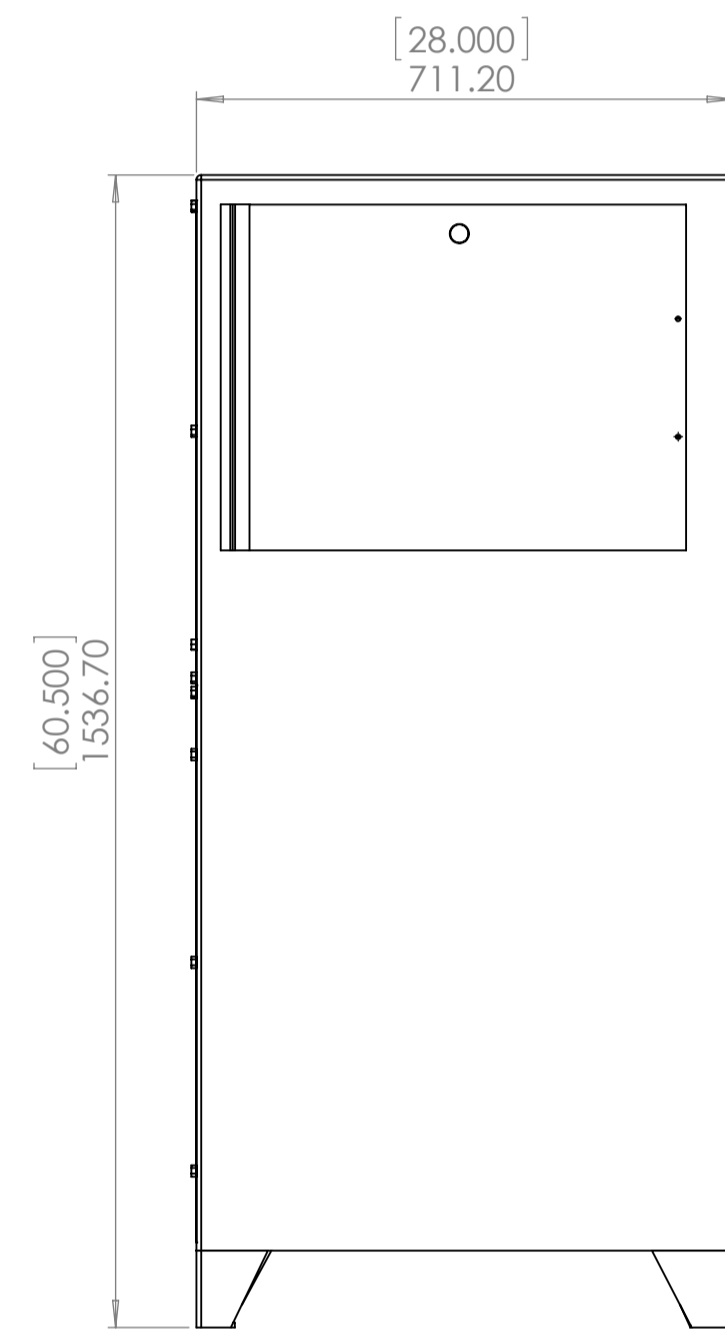
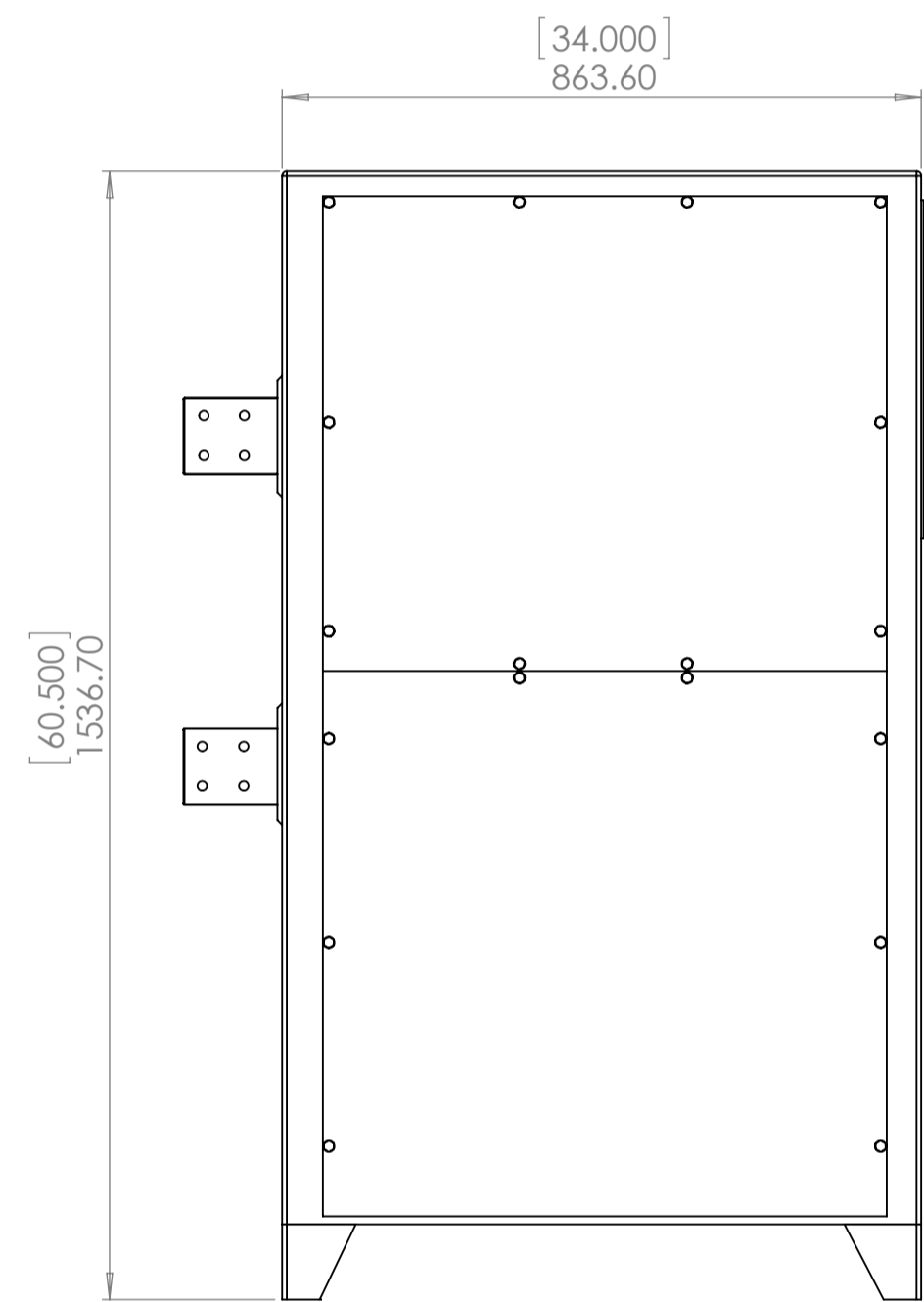
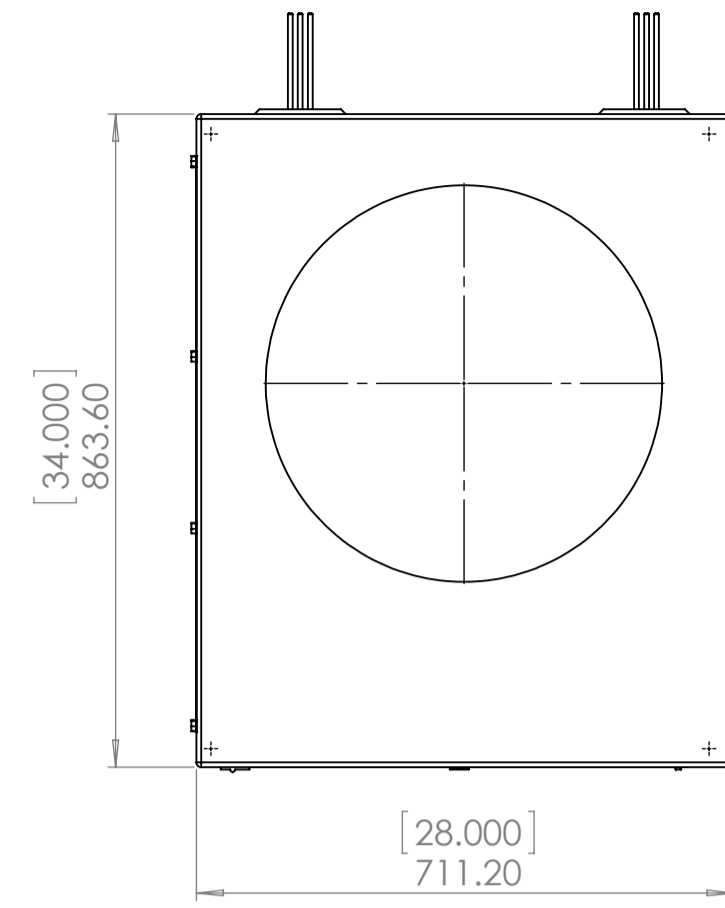


LEFT



TOP





UNLESS OTHERWISE SPECIFIED: DIMENSIONS ARE IN MILLIMETERS SURFACE FINISH: TOLERANCES: LINEAR: ANGULAR:				FINISH:	DEBUR AND BREAK SHARP EDGES	DO NOT SCALE DRAWING	REVISION
						ALDONEX, INC.	
						TITLE: ENCLOSURE	
DRAWN	SO			DATE	5-30-19		
CHK'D	SO			DATE	5-30-19		
APP'VD:							
MPG							
Q.A.						MATERIAL: STEEL	DWG NO. S-2A CABINET A1
						WEIGHT:	SCALE: 1:10 SHEET 1 OF 1