



FRANKLIN ENGINE CO., INC.
Syracuse, New York 13208 U. S. A.

Service Instruction

FAA-DER APPROVED

Franklin Service Instruction No. 17

Date: August 21, 1969

Subject: Improved Crankshaft Nose Seal, P/N 21038

Models Affected: 4A-235 Series
6A-335 Series
6AS-335 Series
6A-350 Series
6AS-350 Series

Reason: To provide a more effective seal.

Compliance: Periodic inspection until this new seal is installed.

The early type of seal, P/N 17036 is a split seal and has the possibility of developing a leak between the two ends at the lip. The new seal, P/N 21038, is of one piece construction which eliminates this possibility.

Installation Instructions:

1. Remove original seal from the nose of crankcase and scrap. Clean the bore in the crankcase for the seal and remove all foreign residue.
2. Remove sharp edges on both sides of propeller flange with a wet stone (Fig. I, opposite side).
3. Wrap a polyethylene bag over the propeller flange. Grease outside of bag with thick grease (Fig. II).
4. Remove tension spring from groove in the seal by unscrewing its two ends.
5. Stretch open seal and slide it over propeller flange gently (Fig. III).
6. Assemble tension spring to seal by screwing its two ends. Insert in seal groove. If circumferential area of seal is contaminated by grease, wipe clean.
7. Force seal 1/8" into the bore in the crankcase nose. Apply Unipar sealing cement (or equivalent) onto remaining circumferential area of seal (Fig. IV).
8. Re-install seal retainer and cement felt to nose of crankcase.

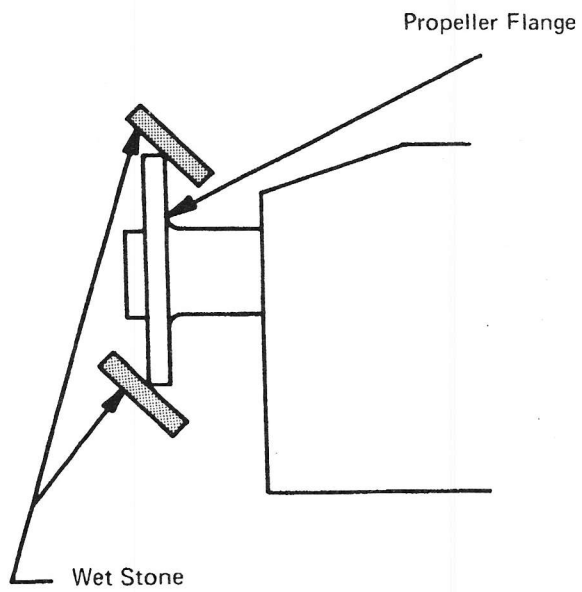


Figure I

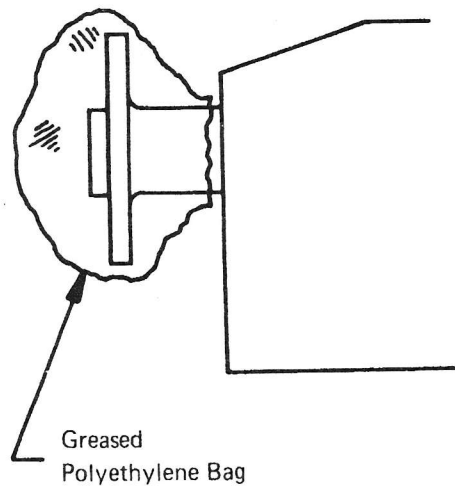


Figure II

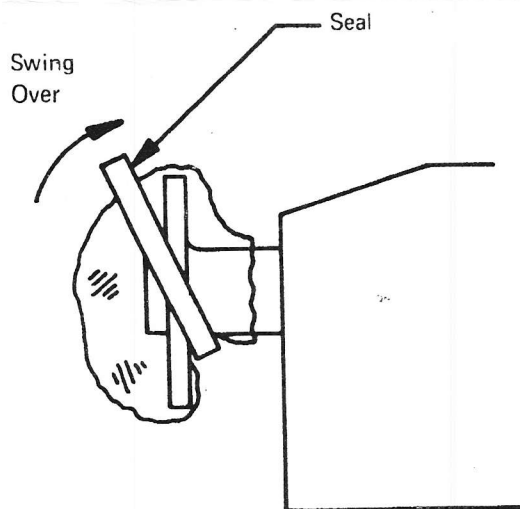


Figure III

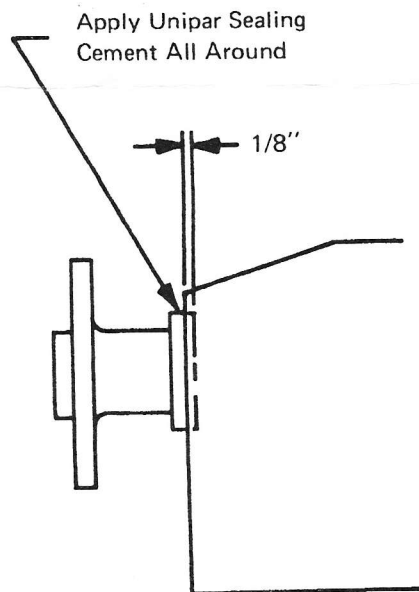


Figure IV