

# SOLID STATE SOCKET METER (INOVONICS)

MODEL SKM-200i

## KEY BENEFITS

- Inovonics Transmitter
- Simple field Programming
- TAPWATCH 3 Compatible
- No Internal Battery
- ANSI C12 Accuracy

## SOCKET METER WITH TRANSMITTER AND INTERNAL CT(s)



## DESCRIPTION

The SKM-200i provides remote billing companies with a reliable and economical solid-state electric meter platform that smoothly incorporates the Inovonics technology and easily interfaces to the TAPWATCH 3 system, and also supports water and gas metering.

## SPECIFICATIONS

### FEATURES:

#### SIMPLE, PLUG-IN INSTALLATION

Pre-wired and configured to minimize installation labor.

#### LINE-POWERED

No batteries to service or replace.

#### NONVOLATILE MEMORY

Stable data storage through multiple events.

#### MULTIPLE CONFIGURATIONS

Forms 2S and 12S plug-in

#### GENERAL

Active Energy "kWh-only" meter

Designed for 20+ years life (1 year warranty)

Meets ANSI standards for performance

6-digit LCD

### APPLICABLE STANDARDS:

ANSI C12.1 for electric meters

ANSI C12.10 for physical aspects of Watthour meters

ANSI C12.19 Utility Industry End Device Data Tables

ANSI C12.20 for electricity meters, 0.2 & 0.5 classes

Operating Temperature.....-40°C to +85°C under cover

Nominal Voltage ..... 120Vac or 240Vac

Operating Voltage.....80% to 115% of Vn

Frequency..... 60Hz, ±5%

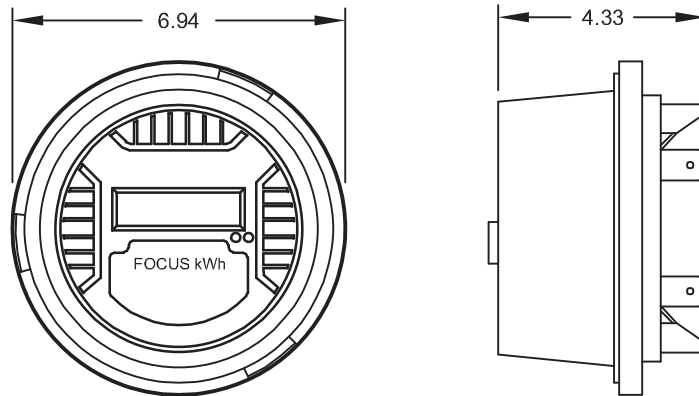
Relative Humidity..... 5% to 95%, non-condensing

Starting Load (Watts)..... Class 200, 0.050Aac (12W)

Load Performance Accuracy ... Class 0.5%, 0.2% typical

Available Forms..... 2S, 12S

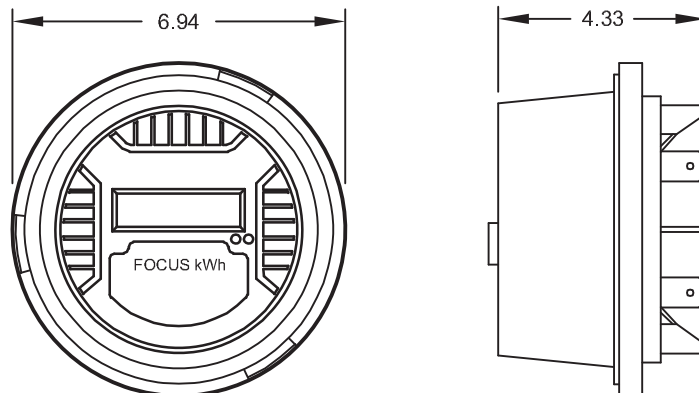
**DIMENSIONS OF SOCKET METER 2S**



**ALL DIMENSIONS IN INCHES.  
TOLERANCE: ±0.03 INCHES.**

Dwg# 0902-00979-B Rev B

**DIMENSIONS OF SOCKET METER 12S**



**ALL DIMENSIONS IN INCHES.  
TOLERANCE: ±0.03 INCHES.**

Dwg# 0902-00979-B Rev B

// SUBMETERING

# STAR® Network Electric MTU

METER TRANSMISSION UNIT

OUTDOOR

The STAR Network electric MTU provides the detailed usage profile needed to support modern customer services, advanced billing plans, and electric supplier choice programs.

The two-way, electric MTU broadcasts over secure, licensed 450- to 470-MHz radio frequencies, with a range of at least a mile. A backup battery ensures continual operation and receipt of critical data during outages. It transmits up to 288 meter readings per day, maintains clock accuracy, and performs on-demand reads, providing consistent and long-term performance.



## Each STAR Network Electric MTU delivers

### Historic data storage

Stores up to 30 days of data for retrieval

### Firmware upgrades over network

Uploads new functionality to uninstalled meters

### C12.19 tables support

Supports ANSI/IC standard for meter data interchange

### Outage and restoration management

Provides messaging to support comprehensive outage management

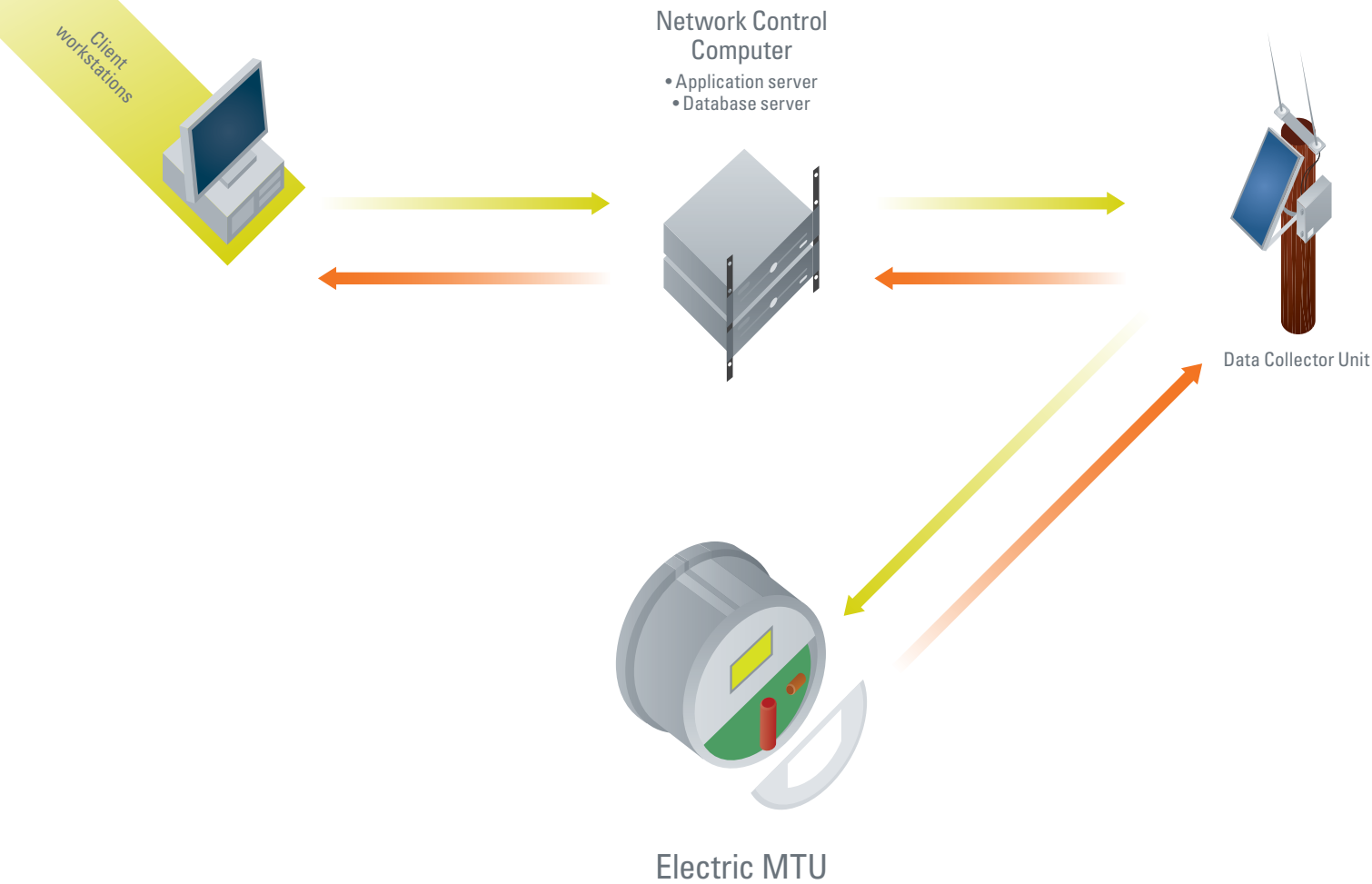
### Supports modern tariffs

Offers accurate interval metering and supports time of use, real-time pricing, and critical peak pricing

### Additional data

Reports account information, meter reading, battery condition, peak demand, tamper status, and outage information

# STAR Network Electric MTU System Diagram



*The electric MTU links the meter to the STAR Network system, capturing valuable data and providing the benefits of reliable AMI. STAR Network MTUs are capable of one- or two- way communications.*