

Radio Interface Cable

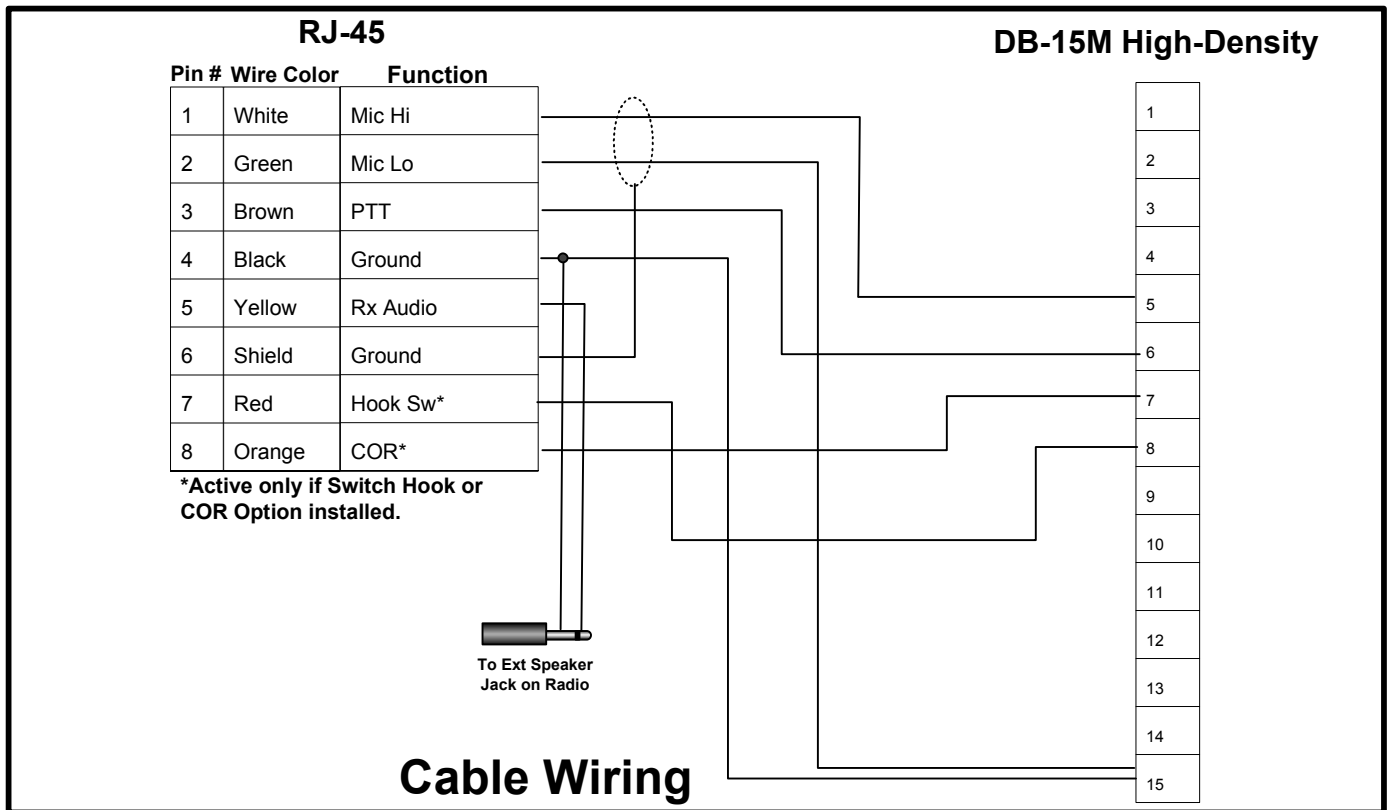
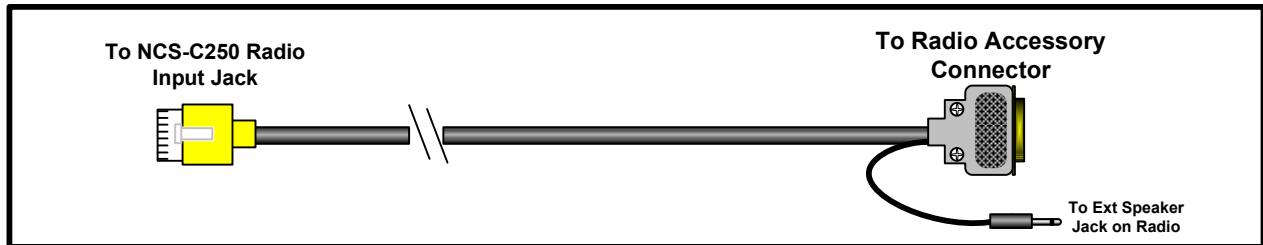
For NCS-C250 Mobile Multi-Switcher

NCS Model Number

NCS-250-KTA-XX

Compatible Radios:

| | | | |
|---------------|-----------------|-----------------|----------------|
| NX-740 | TK-7302 | TK-8302 | TK-7360 |
| NX-840 | TK-7302H | TK-8302H | TK-8360 |



Notes:

For radio models TK-7302, TK-7302H, TK-8302 and TK-8302H use the KPG-124D programming software OR for radio models TK-7360 and TK-8360 use the KPG-135D programming software OR for radio models NX-740 and NX-840 use the KPG-175D programming software AND program the following functions on the indicated pins of the accessory connector:

1. Pin 6, FNC1 on ACC connector must be programmed for PTT
2. Pin 7, FNC2 on ACC connector must be programmed for COR
3. Pin 8, FNC3 on ACC connector must be programmed for Hook Switch