

Air Cleaning Specialists
 826 Horan Drive
 Fenton, MO 63026
 866-455-2130 - Phone
 636-349-0556 - Fax
www.ductingsystems.com
info@ductingsystems.com

DWG NUMBER
 19-042522

QUOTE NUMBER
 93794

REVISION
 0

JOB NAME
 BC-8 MD

DRAWING FOR:

BUCKEYE
 COFFEE BC-8
 MD 19-042522A



VIEW NAME
 DETAILS

DRAWN: CODY BINGAMAN

CHECKED: RYAN GRAVEM

MATERIAL
 GALV - HI TEMP

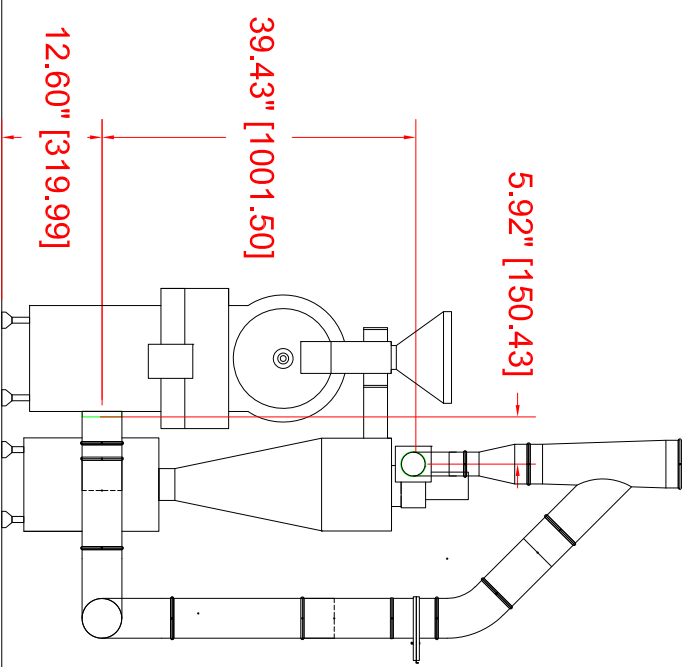
DWG DATE GAUGE
 4/25/19 STD.

WELD TYPE FINISH
 STD. STD MILL

PAPER SIZE SHEET
 8.5" x 11" 1 OF 1

SCALE: CUSTOM

FRONT VIEW



BC-8 MD

SIDE VIEW

