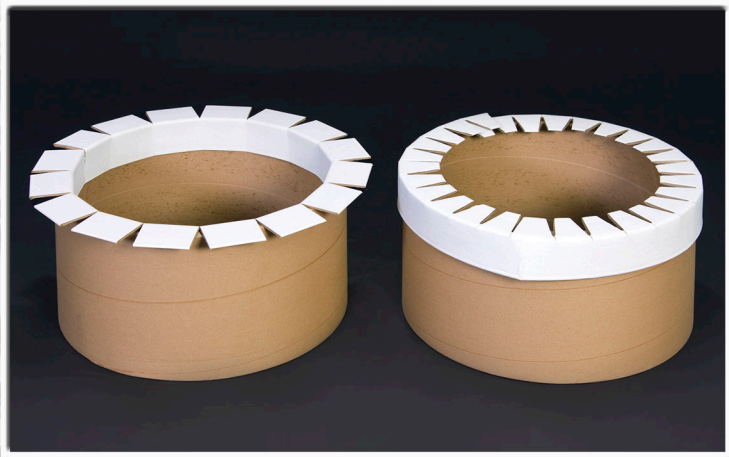


# EDGE PROTECTION PRODUCTS



**Corner Board**



**I.D. & O.D. Protectors**



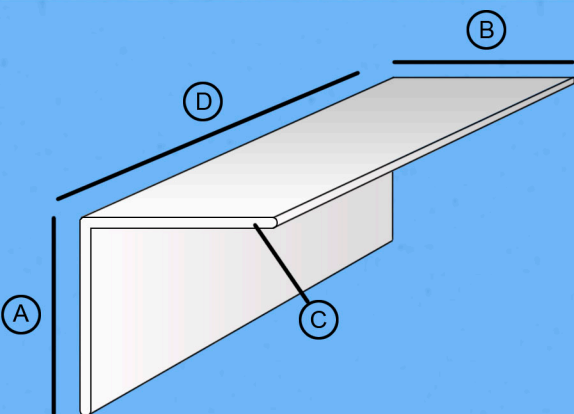
**Strap Protectors**

# Corner Board Products

- *Regular Duty Standard Product*
- *XS (Extra Strength) High Performance Utilizing High Strength Fiber & Glue*
- *ID Protectors*
- *OD Protectors - Metal Coils & Film Rolls*
- *Strap Protectors*

## Additional Information

- *Custom Printing Available up to 3 colors*
- *Outer Wrap Available in White, Kraft and Poly-Coated*
- *All Products are Fully Wrapped*
- *OD Protectors Available in Straight or Coil Pack*



## Specifications

Angleboard sizes are based on the following dimensions:

- A Leg Length One - Available from 1.5 - 4.0 inches
- B Leg Length Two - Available from 1.5 - 4.0 inches
- C Caliper - Available from .050 - .450
- D Length - Available from 1 inches - 240 inches