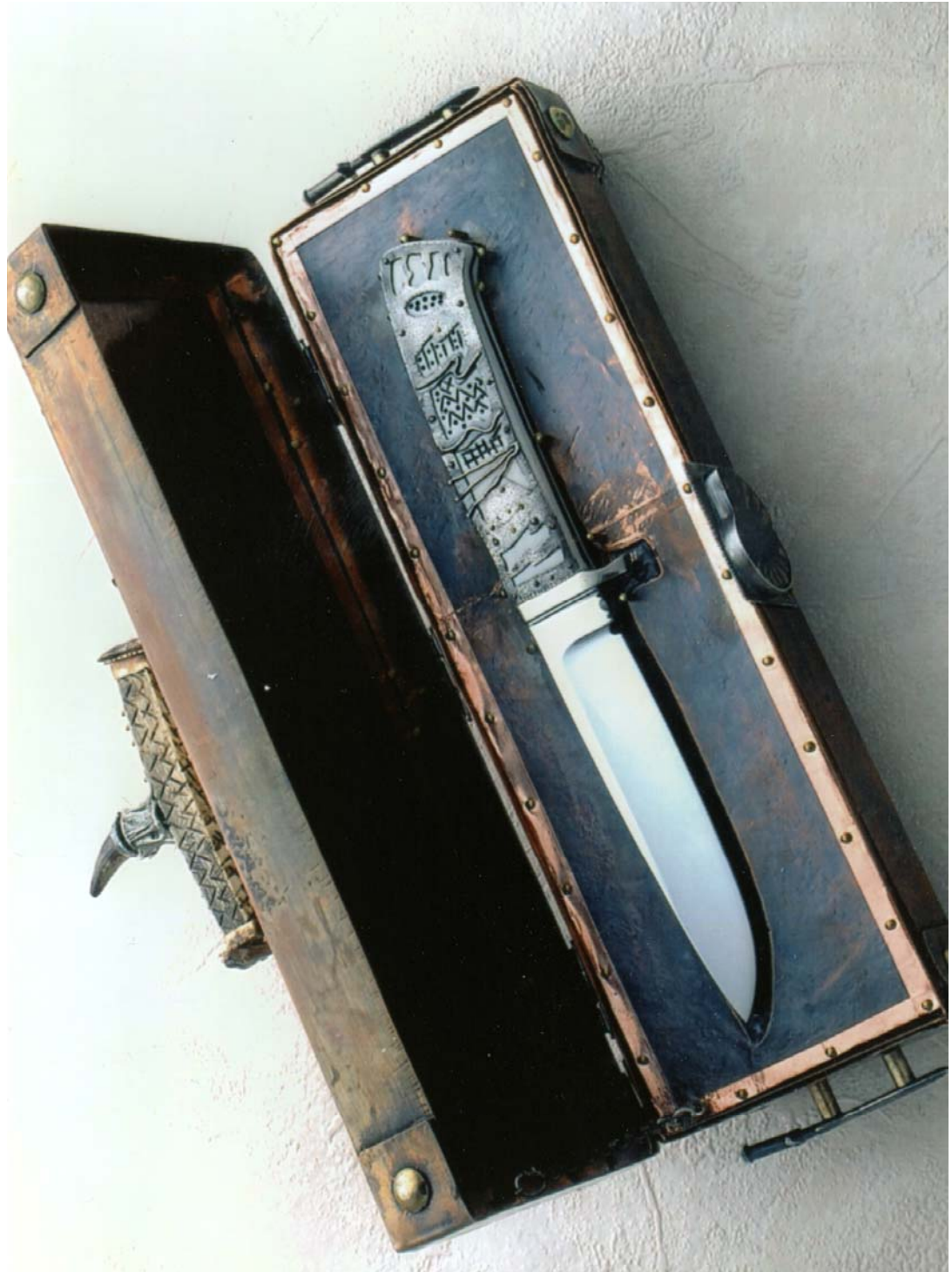


# Billetts & Blades



The Official Publication of  
The North Carolina Custom  
Knifemakers' Guild

January 2007

Dedicated to the Art & Craft of Custom Knifemaking

# Billets & Blades

NORTH  
CAROLINA  
CUSTOM  
KNIFEMAKER'S  
GUILD

Billets and Blades is the official publication of the North Carolina Custom Knifemaker's Guild. It is compiled and published in four issues annually with two additional special publication dates possible each year. Compiled, published, and distributed by The Knifemaker's Guild.

---

The North Carolina Custom Knifemaker's Guild was formed to meet the needs of a growing body of custom knifemakers in the southeastern United States. The purpose of this newsletter is to serve as a medium of exchange for the members of the NCCKG.

---

Billets and Blades is copyrighted in its entirety by the North Carolina Custom Knifemakers' Guild. Permission to quote small noncontiguous passages is freely given as long as appropriate citations are used. Permission to reprint, in whole or in part, must be requested from the Guild. Contact the editors.

---

Knife making and related endeavors are inherently dangerous crafts or occupations. The material contained in this newsletter is for information only, and is not intended to provide instruction. Therefore, the North Carolina Custom Knifemaker's Guild, its officers and editors specifically disclaim any and all responsibility for damage or injury that may occur as a result of the use of any information that is contained in this newsletter.

---

**Advertising Policy:** The NCCKG accepts no paid advertising as a matter of policy. From time to time, advertisements may appear that are deemed by the officers to be in the best interest of the Guild. Space for advertisement is offered free to Guild members who wish to promote a service or offer specific items for sale. The officers and editor reserve the right to edit advertisements for brevity. Members Only: Please submit ads to the editors at the address shown at the right.

---

## Guild Officers and Directors

President: William M. Bisher  
1015 Beck Road  
Denton, NC 27239  
336-859-5486 Home  
BlackTurtleFrg@aol.com

Vice President: Phillip L. Gaddy  
310 Chestnut Lane  
Statesville, NC 28625  
704-878-6378  
plgaddy@email.edu.com

Secretary: Henry Clay Runion  
5291 Plainview Hwy.  
Dunn, NC 28334  
910-891-7142 Home

Treasurer: Tony Kelly  
348 Bell Rd.  
Kinston, NC. 28501  
(252) 527\_2130

Director: Norman A. Gervais  
51 Island Road  
Hardy, VA 24101  
540-721-3275  
mbgnag@aol.com

Editor: Mrs. John (Joan) Poythress  
625 Freedom Street  
Swainsboro, GA. 30401  
(478) 237-9478

Webmaster: Calvin Nichols  
3548 S. Shiloh Road  
Garner, NC 27529  
919-553-936  
cnichols@nc.rr.com

Please address correspondence about this newsletter to the President or the Editor at the above addresses. Please direct requests for information about the North Carolina Custom Knifemakers' Guild to the President, Bill Bisher, at the above address.

**The President's Letter:**

Those that could not attend the Sept. 30th meeting at Bob Ham's missed a good one. The location was great, the weather just right for a visit to the foothills of North Carolina. I know it was a long trip for some, but the trip was and would have been worth it.

Bob gave a good demo on how he put on slab handles with fiber liners and how he finishes his blades. He, along with Tony Kelly, demonstrated how to do a poured pewter inlay on a handle. They also demonstrated a poured pewter butt cap. I did a very short demo on the way I do a poured pewter bolster on a period knife with an antler handle. Best of all, we got to see Bob's shop, his equipment and jigs. You always come away with new ideas when you visit another makers shop.

The meal was hosted by Bob's wife Laura, and I'm sure everyone got a full stomach. Thanks Bob and Laura for a good time.

Pop's Knife Supply was on hand with his wares. Thank you Pop for making the trip and hope to see more of you in the future.

To change directions; I know that the Guild has had some problems in the past, but it is time to put all of that behind us and everyone try to pull together to get the Guild back on it's feet. This is not a one person guild. It takes everyone's effort to keep the Guild functioning and growing. When we have meetings there is a need for demonstrators. We can not expect the same people to do it all. They will get tired of being called on and we will get tired of seeing them. Every knife maker is interested in how the other guy makes his product and what he uses to make it. The collector or knife enthusiast can tell why and what he or she looks for in a knife, which will help the makers finish a better product. Every member has something to share at a meeting. The Guild was started to help promote knife making, so lets start doing it again.

Attend the meetings. They are going to be held across the state, two in the east, two in the pied-

mont, and two in the west. No one can complain their area is being over looked.

The next meeting will be held on January 27th at Montgomery Community College. As soon as Philip Gaddy gets the demonstrators lined up a flyer will be sent out.

The tee shirts are ready and will be at the January meeting. All money goes to the Guild.

If you have not paid your dues please do so!

Your President,

Bill Bisher

---

**Directions to Montgomery Community College****From Winston-Salem:**

Take Hwy. 52 South to Lexington; then take Hwy.64 East to Ashboro; from Ashboro take 220 South to Bisco Exit; turn right & go approximately 9 miles until you see Montgomery Community College sign on the right; turn right at the sign, and go approximately ½ mile to the college entrance. Look for marked parking.

**From Fayetteville:**

Take Hwy. 24 & 27 West through Bisco, go approximately 9 miles until you see Montgomery Community College sign on the right; turn right at the sign, and go approximately ½ mile to the college entrance. Look for marked parking.

**From Charlotte:**

Take Hwy 24 & 27 East through Troy, go approximately 2 miles until you see the Montgomery Community College sign. Turn left and go approximately ½ mile to the college entrance. Look for marked parking.

---

My grandson was visiting one day when he asked, "Mammy, do you know how you and God are alike?" I mentally polished my halo while I asked, "No, how are we alike?" "You're both old," he replied.

### Area Hotel Accommodations

Days Inn Biscoe, NC 910-428-2525	Comfort Inn Albemarle, NC 704-983-6990
Holiday Inn Express Albemarle, NC 704-986-2100	Sleep Inn Albemarle, NC 704-983-2770

Uwharrie Mountain Lodge  
Troy, NC

---

### On The Cover

The King Tut, shown on the front is the creation of NCKKG member Travis Daniel and jeweler, Nancy Fleming. This 8 1/2" beauty has a 4" drop point blade and is made from ATS34. The handle is tusk ivory with a silver overlay. The guard is 416 stainless. To complete the aura, the knife is encased in a chest made entirely of copper and rests on a repousse of copper. The feet of the chest are bronze and American white tail button. The front clasp is fossil wrapped in silver. A white tail tip and brass form the top ornament. The photo is by Terrill Hoffman.

---

### Profile in Steel

This North Carolina Custom Knifemakers' Guild member has been involved in crafting custom knives since 1975. He came about his interest and talent in the craft quite by accident.

While browsing through a craft show in southwest Georgia he saw a knife made by Doctor James A. Woodall. He was totally enthralled by the absolute beauty of such a functional item and the seed was planted that bore fruit of an excellent craftsman. This craftsman is Travis Daniel.

Travis caught the vision of creating a "work of art" himself. Armed with his vision, he approached Dr. Woodall about teaching him to make a knife. Dr. Woodall agreed but with a test to see if Travis was serious. When Travis walked into the shop, he was handed a hack saw and file. His first blade was cut

out and shaped using only that hacksaw and file. Travis remembers it took him about 2 weeks to fashion that first blade. After the first blade, Dr. Woodall did allow Travis to begin using the machines

Travis continued with Dr. Woodall 7 days a week for the next many months. After a period of time, Dr. Woodall saw Travis had progressed to the point of being able to strike out on his own without further instruction.

Travis' next influence came from his friendship with Rade Hawkins. Rade helped him take his craft to the next level in design and finish.

Today, along with making knives under his own logo, he continues to be a partner in Carolina Custom Knives with Tommy McNabb.

Travis and his wife Doris, live in Chocowinity, North Carolina. They have 3 children, Lisa, Jay and James. He also is the assistant to the manager of the Thomaston-Upson County Airport in Thomaston, Georgia.

Travis specializes in fixed blade knives and sheaths. His favorite style of knife is the drop point hunter.

The passion that drives the creativity in Travis is finding the beauty that can be achieved in fashioning steel and natural materials into something functional.

---

### From The Editor:

It is good to be back among you, even just to do the newsletter. With John not here to help with the details and all I will be depending on each of you.

The biggest need will be for articles. Each of you have a talent and can share that with others. You do not have to be able to write well, just give me the details and I will flesh it out. So I am hoping each of you will jot something down and send to me for future issues. You may be a collector, an enthusiast, or a maker, no matter because each of you have something to teach others. It may be "how to" or it may be "what to look for". Both, the "how to" and the "what to look for" will teach the knifemakers how to better their work.

(Continued on page 5)

**“Sights and Sounds” from the September 2006 meeting at the home of Bob and Laura Ham.**

NCKKG President Bill Bisher stood in for me and shot these pictures at the last meeting at Bob Ham’s shop. I appreciate Bill’s willingness to help me get back in the swing of things. I would take pictures at the meetings and later, when it got time to put them into the newsletter, John would tell me what was going on in the pictures. This made doing the newsletter fun for me and gave John opportunity to get to see how you guys produced the outstanding work you do. John always made me look good when in reality, I had no clue. I will have to depend on you guys for this information now.



Bob Ham showed the guys a shop made drilling clamp.

This drilling clamp is used to hold the blade and the handle material securely. This aids in safely drilling bolt and lanyard holes



Bill Bisher leaned in to make sure he didn’t miss any detail of what Bob was doing.

Tony Kelly, along with Bill Bisher demonstrated the technique of doing a pewter pour.



The nice antler handled knife used for the demonstration was brought to the meeting by Bill.

Tony, Bob, and Phillip discuss the finer point of enhancing the handle of a knife by using pewter that can be obtained commercially or purchased from flea markets in the form of plates and drinking cups.



(Continued from page 4)

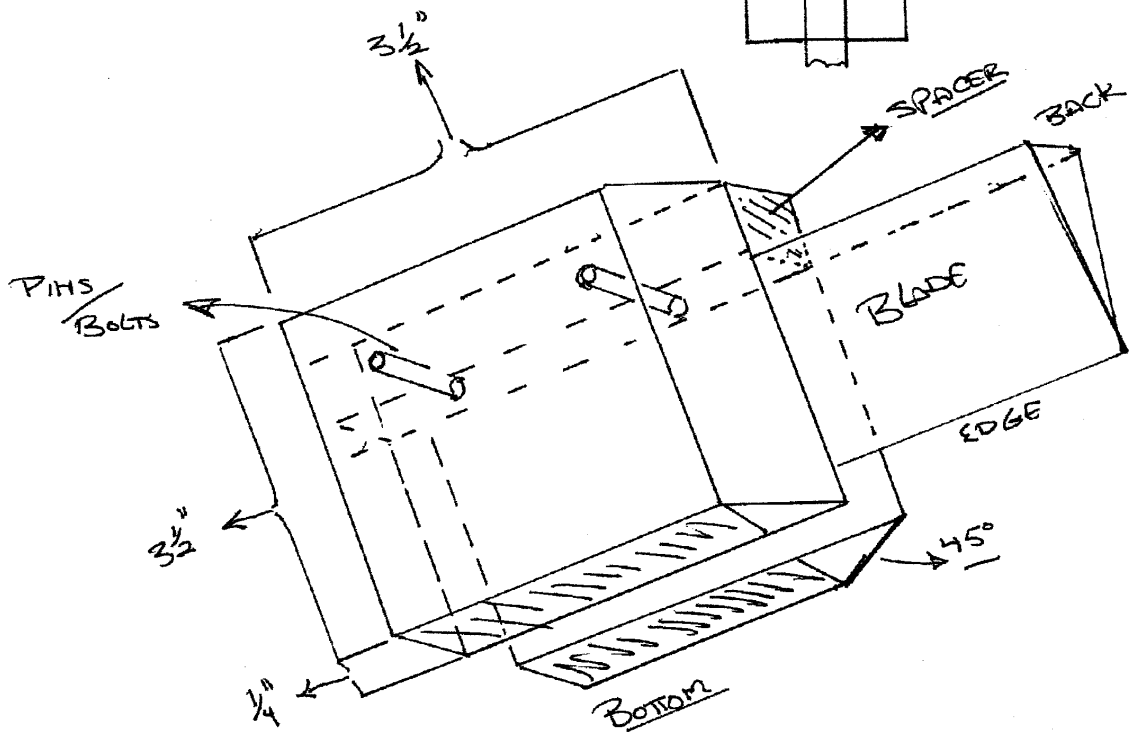
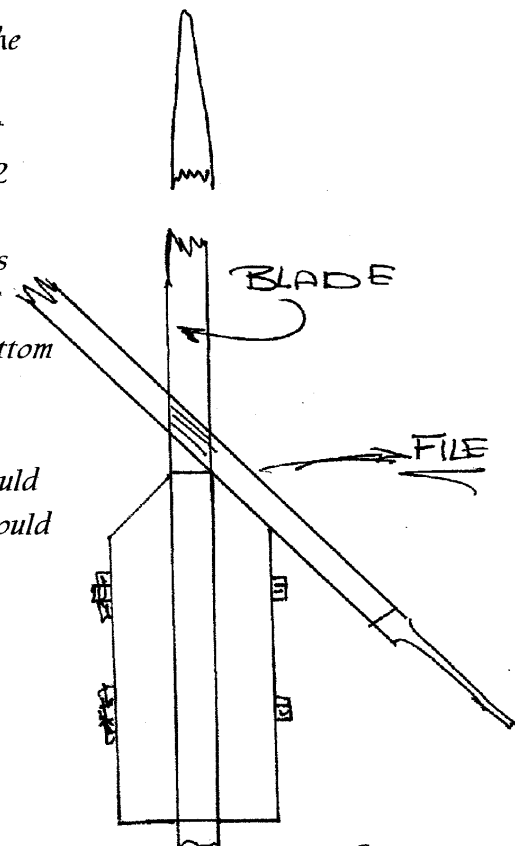
Also on page 7 is a bio sheet. Please take the time to fill these out and give them to me at the meeting or mail them to me. Include a picture or your work or your collection. You just may find yourself on the front of Billets and Blades.

Two blondes living in Oklahoma were sitting on a bench talking.. And one blonde says to the other, "Which do you think is farther away... Florida or the moon?" The other blonde turns and says "Helloo, can you see Florida??"

This is Bob Ham's Jig for filing Checkering on the back of his knife blades.

Bob used hardwood balocks to make his but you can use micarta or steel. The blocks are  $3\frac{1}{2}$  by  $3\frac{1}{2}$  in with a 45 degree angle cut along the front edge. A spacer the thickness of you blade is put in between and pinned in place. The back of the knife is placed between the blocks and the bottom is secured in a vise. The checkering file is guided along the 45 angle to make the cuts.

If you have different blade thickness, you could make the guide with remavable bolts or pins so could interchange the spacers.



Name: \_\_\_\_\_ Occupation: \_\_\_\_\_

Wife / spouse: \_\_\_\_\_ Children \_\_\_\_\_

Trade Name: \_\_\_\_\_

Style of knives made:

---

---

Favorite type steel: \_\_\_\_\_

---

Favorite handle material: \_\_\_\_\_

---

What and who got you started making knives? \_\_\_\_\_

---

---

Website? \_\_\_\_\_

E-mail? \_\_\_\_\_

Club / Guild / Craftsman affiliations? \_\_\_\_\_

---

Shows you do? \_\_\_\_\_

---

Anything else you would want people to know about you. Any ideas for the Guild? \_\_\_\_\_

---

---

Please mail to me: Joan Poythress  
625 Freedom Street  
Swainsboro GA 30401

or e-mail to me: [mrsjoan@bellsouth.net](mailto:mrsjoan@bellsouth.net)

If possible also include a picture of one of your knives.

## Calendar of Events

### January 2007

**NCCKG Meeting:** January 27, Montgomery Community College, Troy, NC

### April 2007

**NCCKG Meeting:** April 14, at the shop of Bill Bisher, Dunn, NC

### May 2007

**Davi's Knife Show:** May 5-6, Raleigh, NC.

### June 2007

**The Blade Show:** June 13-15, The Cobb Galleria, Atlanta, GA

### July 2007

**NCCKG Meeting:** Dates TBA at the shop of Wayne Whitley, Chocowinity, NC

### October 2003

**NCCKG Meeting:** Dates TBA at the shop of Alan Folts, Greenville, NC

#### **\*\*Tentative Dates and Details.**

Complete details on classes at the guild website at [www.ncknifeguild.org](http://www.ncknifeguild.org)

(Directions and meeting details will be sent in the Newsletter preceding each meeting)

(Register for classes at Montgomery Community College; located in Troy, NC. Lodging is available close by.)

---

## MEMBERSHIP APPLICATION FORM

Date:		
Name:		
Address:		
City:	State:	Zip
Phone:		
Email:		
Website:		
Choose One:	New Member:	Renewal:
Choose One Membership Category:	Collector:	Student

Membership / Renewal fees are: \$50.00 per year

Collector membership fees are \$25.00 per year

Student memberships are \$10.00 per year

Please send this form with a check or money order to:

NC Custom Knifemaker's Guild

Attn: Tony Kelly

348 Bell Road

Kinston, NC 28504

<http://www.ncknifeguild.org>