



TransLift TL 2550K Parts Manual

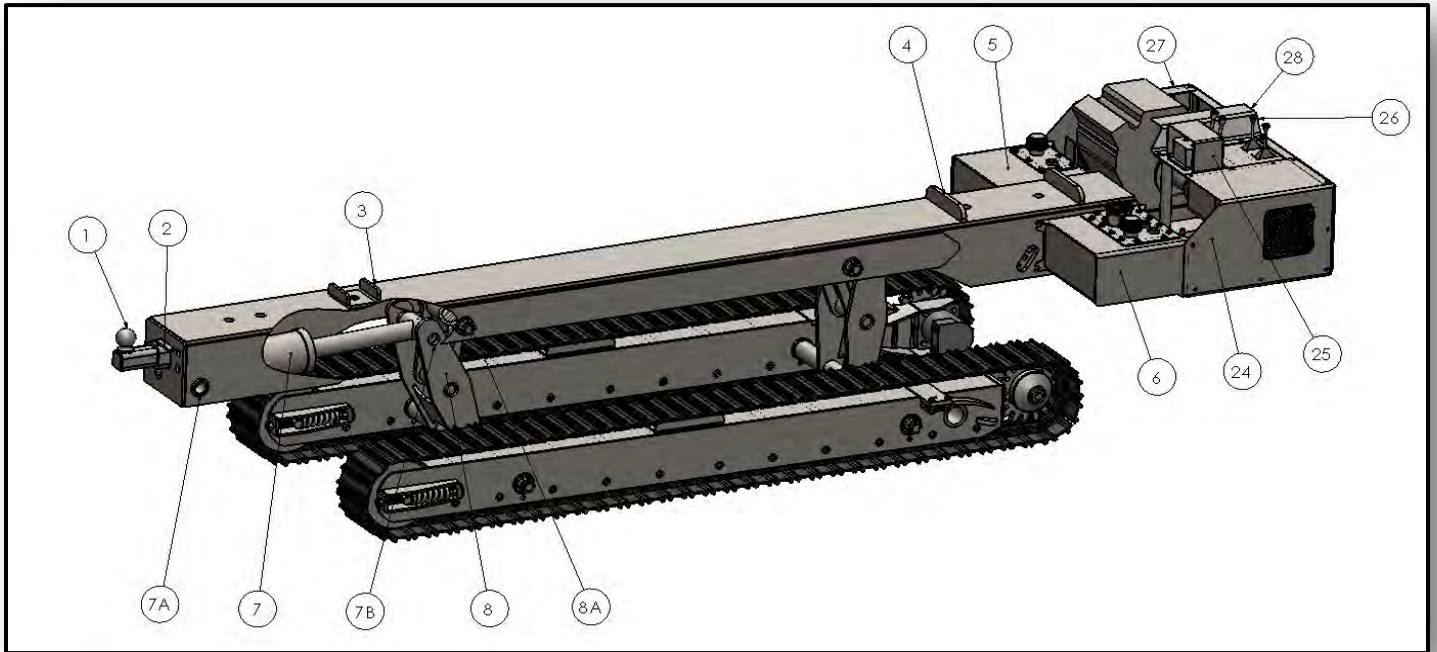


Tink, Inc. ♦ 2361 Durham Dayton Hwy ♦ Durham, CA 95938
Toll Free 888-367-8465 ♦ Fax 530-895-0751 ♦ www.tinkinc.com

Table of Contents

Full Assembly View	2
Tank View.....	3
Track View.....	4
Front Idler and Sprocket Views	5
Engine View (Kohler CH940)	6
Covers View.....	7
Tow and Wheel View	8
Brake View	9

Full Assembly View



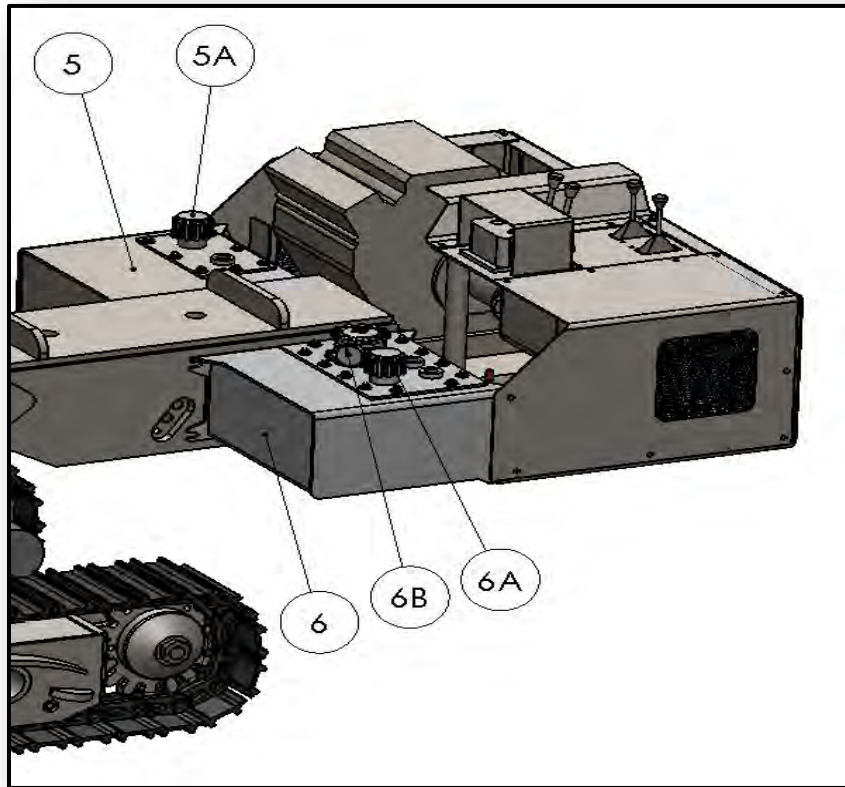
24 -28 are detailed on Covers page

Ref	Part #	Description	Qty.
1	600110	Ball Hitch Assembly	1
*	600850	Frame Extension	
2	600480	Hitch Pin, with Chain and Clip	1
3	600130	Beam Saddle	1
4	600140	Frame Stop	1
5	816200	Fuel Tank Top (Bolt-On)	1
6	816210	Hydraulic Tank Top (Bolt-On)	1
7	2005682	Cylinder, 6 x 13 $\frac{1}{8}$ "	2
7A	805490	Pin, Cyl Base End	2
7B	805560	Pin, Cyl Rod End	2
*	2000890	Set Screw, $\frac{3}{8}$ " x 1 $\frac{1}{2}$ " Square Head	
*	2001672	Nut, $\frac{3}{8}$ " Serrated Flange	
8	601050	Linkage Assembly	2
8A	805830	Pin, Threaded Ends	2
*	2005630	Castle Nut	4
*	2005631	Thick Washer	4
*	2002375	Cotter Pin, $\frac{1}{4}$ " x 2 $\frac{1}{2}$ "	4

Ref	Part #	Description	Qty.
24	600440	Panel, Left Side	1
25	601010	Cover, Cylinder Valve Kohler	1
26	600410	Muffler Cover	1
27	600430	Panel, Right Side	1
28	600420	Panel, Rear Cover	1

* Not Pictured

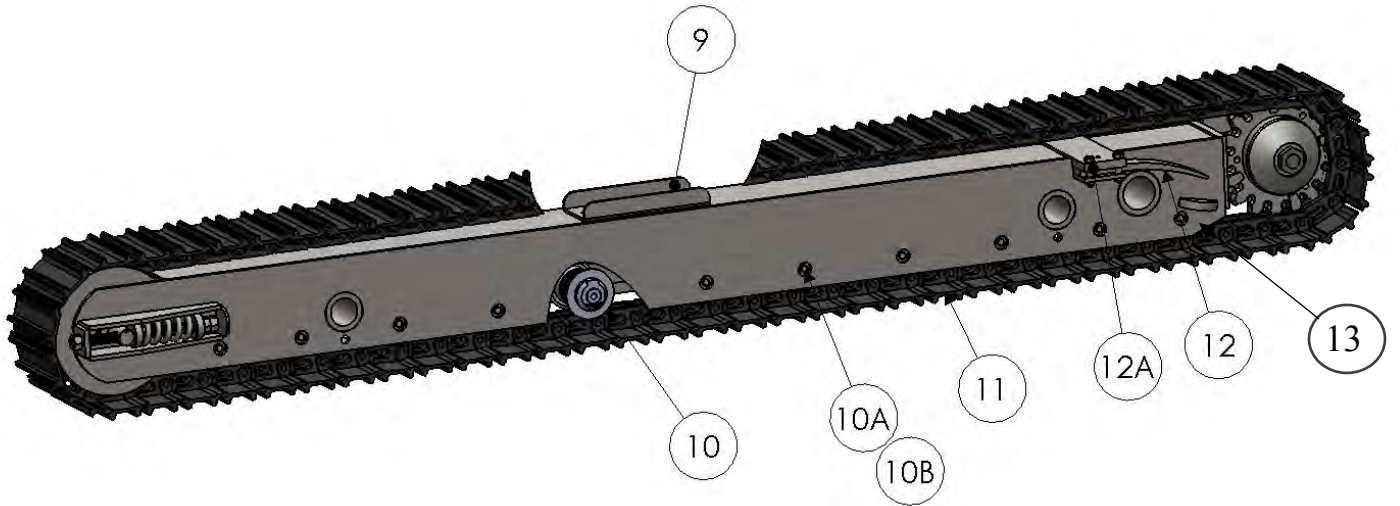
Tank View



Ref	Part #	Description	Qty.
5	816200	Fuel Tank Top (Bolt-On)	1
*	2006056	Gasket, Fuel Tank Top	1
5A	2003993	Fuel Fill Cap Assembly	1
*	2005629	Elbow, 90 degree, Brass (4MP-4FP90)	1
*	2004058	Barb Fitting, Brass (4MP-5/16)	1
*	600790	Pick-up Tube, Fuel	1
*	2003907	Filter, Fuel	1
6	816210	Hydraulic Tank Top (Bolt-On)	1
*	2006055	Gasket, Hydraulic Tank Top	1
6A	2003994	Hydraulic Fill Cap Assembly	1
6B	2006059	Housing, Hydraulic Filter (Bolt-On)	1
*	2006128	Filter Element, Hydraulic	1
*	2001870	Magnetic Plug, 3/4" NPT	1
*	2005932	Fitting Kit, Complete	
*	2005933	Hose Kit, Complete	

* Not Pictured

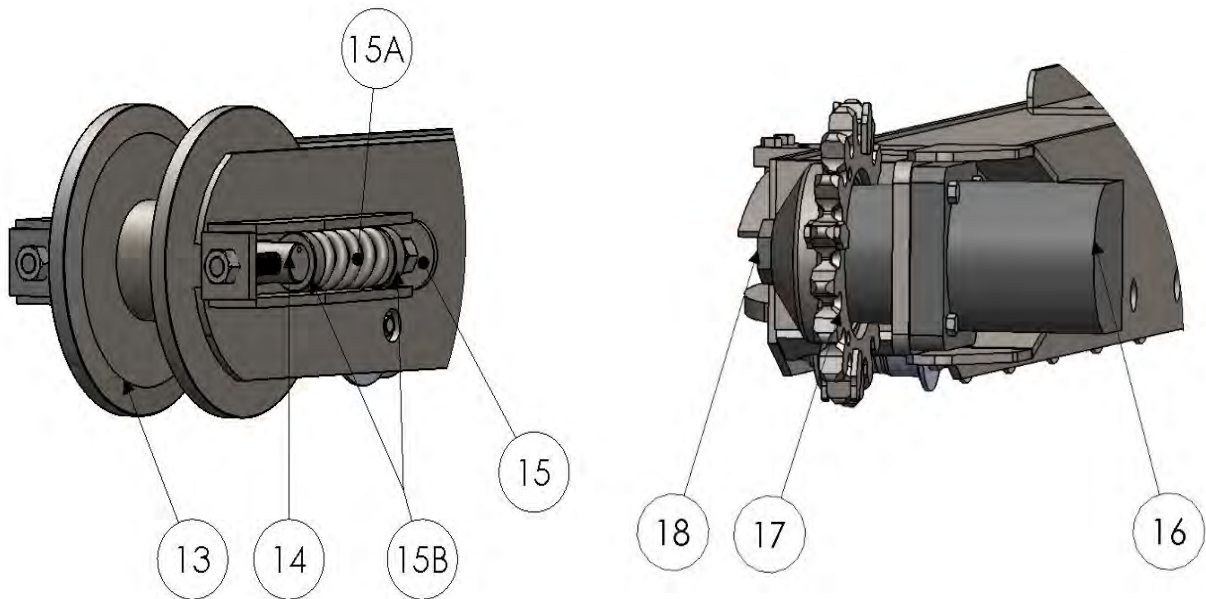
Track View



Ref	Part #	Description	Qty
9	816460	Track Guide, Formed Steel	2
*	816450	<i>Track Wear Pad, UHMW</i>	2
*	2000863	<i>Bolt, 3/8" x 1 3/4" CS Socket Head</i>	6
10	2006061	Roller, Mid Track	22
10A	2006057	<i>Bolt, M14 x 2.0 x 30mm</i>	44
10B	2006058	<i>Washer, 14mm Lock</i>	44
11	2005715	Track Assembly, 9" Steel	2
*	2005716	<i>Repair Section, Single Track Link</i>	
*	2006074	<i>Connecting Pin, Track</i>	
12	600210	Leaf Spring	2
12A	816280	<i>Retainer, Leaf Spring</i>	2
13	601490	<i>Roller, Rear (w/Added Flange)</i>	2

* Not Pictured

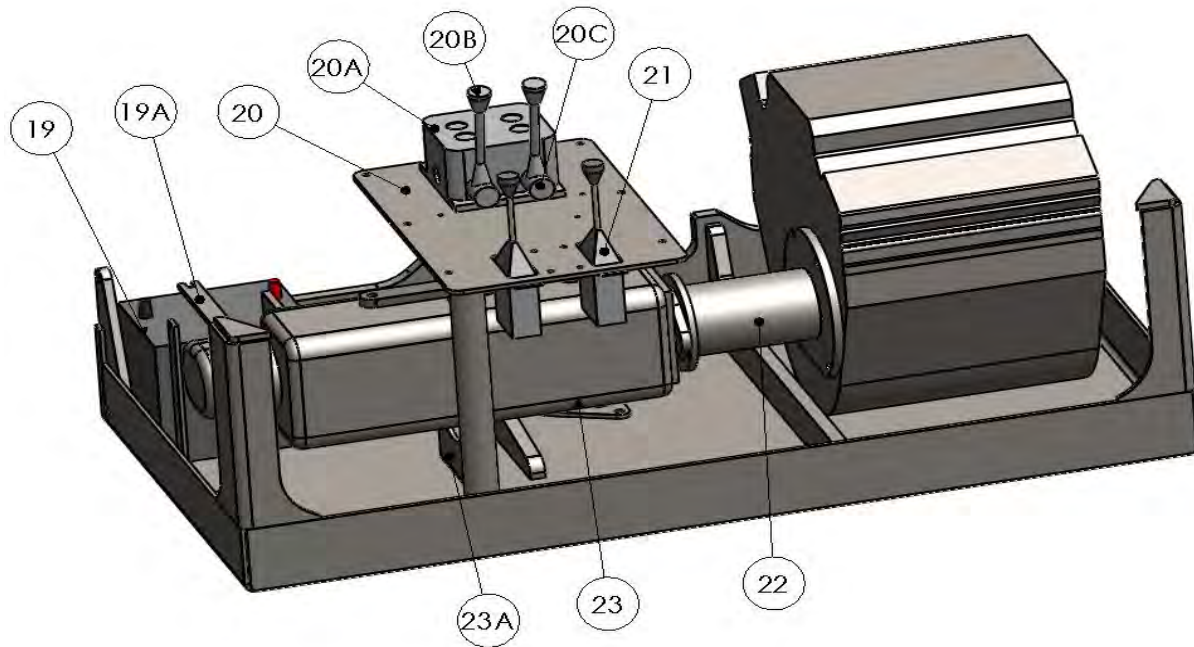
Front Idler and Sprocket Views



Ref	Part #	Description	Qty
13	601070	Roller, Front Idler	2
*	2002179	<i>Bushing, Bronze</i>	4
*	2004010	<i>Grease Seal</i>	4
*	2002003	<i>Thrust Washer</i>	4
14	816240	Pin, Front Idler	2
*	2004049	<i>Grease Zerk</i>	2
15	2005927	Bolt, Track Tension Adjuster	4
*	2001697	<i>Washer, 5/8" Flat, Grade 8</i>	8
*	2001562	<i>Nut, 5/8" NC</i>	8
15A	2004805	<i>Spring, Track Tension</i>	4
15B	810780	<i>Cup, Tension Spring Retainer</i>	8
16	2005931	Motor, Hydraulic Track Drive	2
*	2004025	<i>Seal Kit, Track Drive Motor</i>	
*	2006129	<i>Shaft Assembly, Track Drive Motor</i>	
17	601480	Sprocket, Track Drive	2
*	816850	<i>Hardened Key</i>	2
18	2005978	Nut, Sprocket Retainer	2
*	2005631	<i>Thick Washer</i>	2
*	2006207	<i>Cotter Pin, 5/32" x 3"</i>	2

* Not Pictured

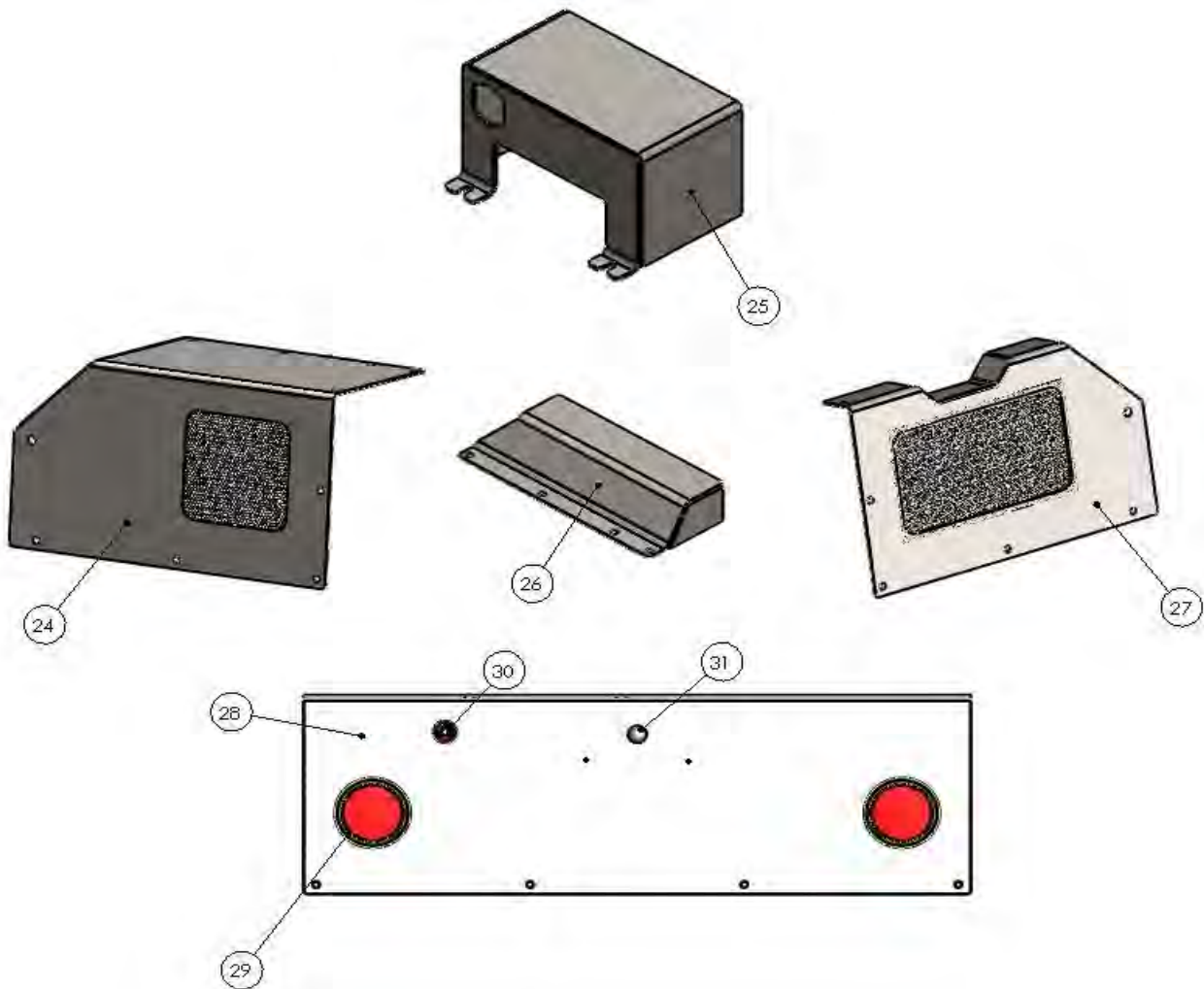
Engine View (Kohler CH940)



Ref	Part #	Description	Qty
19	2005021	Battery, 12V	1
19A	810750	Bracket, Battery Hold-Down	1
*	2004952	Cable, Positive	1
*	2005958	Cable, Negative	1
20	603160	Valve Platform Assembly	1
20A	2004860	Valve, Cylinder Control	1
20B	2004871	Control Handle	2
20C	2004859	Pivot Box Assembly	
21	600870	Lever Assembly, Track Control	2
*		Hydro Centering Spring, Track Lever	
*	2004802		2
*	2001920	Rod End, 1/4" NF	6
*	2001481	Nut, 1/4" NF	6
*		All Thread, 1/4" NF	
*		4 1/2" Short, To Centering Spring	2
*		5" Long, To Pump Lever Arm	2
22		Cover, Pump Coupler	1
*	2004466	Coupler, Pump Side	1
*	2004464	Spider	1
*	2004465	Coupler, Engine Side	1
*	805235	Spacer, Lovejoy Translift 2017	1

Ref	Part #	Description	Qty
23	2003833	Hydraulic Pump	1
*	2003522	Recessed Plug	1
23A	810720	Mount, Hydraulic Pump	1
*	601090	Lever Arm	2
*	2004008	Level Gauge	1
*	2005906	Cooling Fan Assembly	1
*	810740	Bracket, Cooling Fan	2
*	2004939	Ignition Switch, 10" Round Style	1
*	2006228	Key Holder	1
*	2006280	Eng. Wire Harness, Kohler CH940	1
*	2006270	Muffler Kit, Kohler CH940	1
*	2006290	Spark Arrestor, kohler CH940	1
*	2006310	Air Filter, Kohler CH940	1
*	2006320	Oil Filter, Kohler CH940	1
*	2006330	Oil Pressure Switch, Kohler CH940	1
*	2006340	Starter, Kohler CH940	1
*	2006350	Spark plug, Kohler CH940	1
* Not Pictured			

Covers View

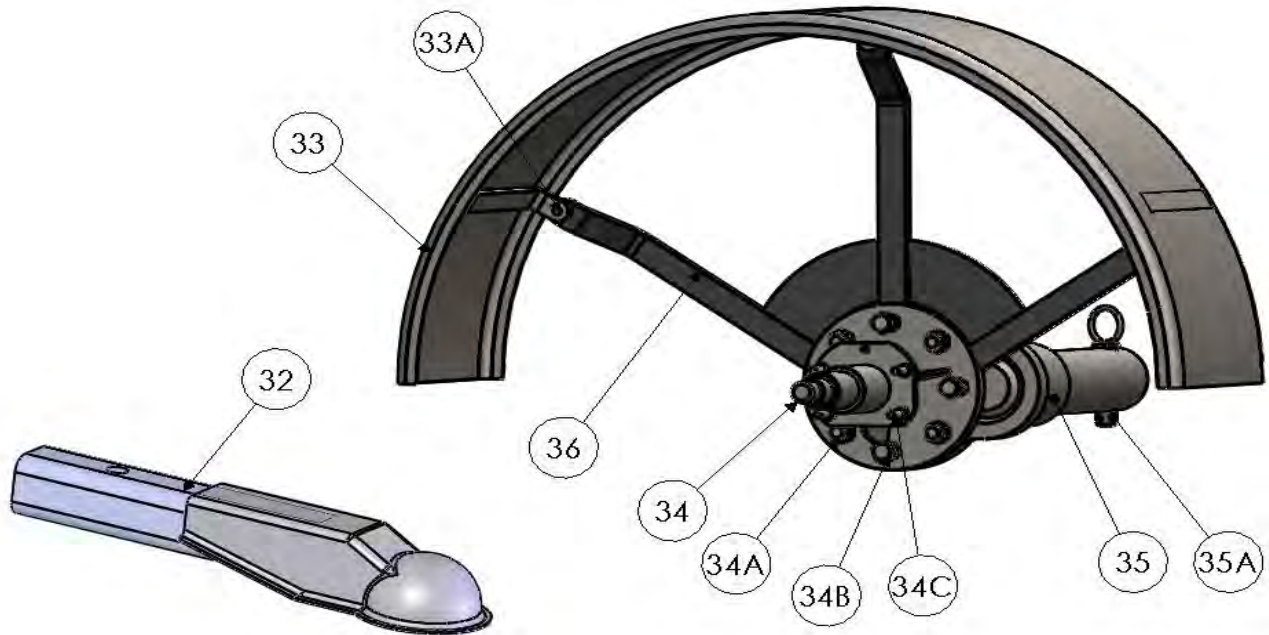


Ref	Part #	Description	Qty
24	600440	Panel, Left Side	1
25	601010	Cover, Cylinder Valve - Kohler	1
26	600410	Muffler Cover	1
27	600430	Panel, Right Side	1
28	600420	Panel, Rear Cover	1
29	2004958	Taillight Assembly	2
*	603180	Wire Harness, Taillight	1
30	2006079	Emergency Stop Switch	1
31	2004957	License Plate Light	1

* Not Pictured

Note: All panels attach with 3/8" NC x 1" Grade 5 hardware.

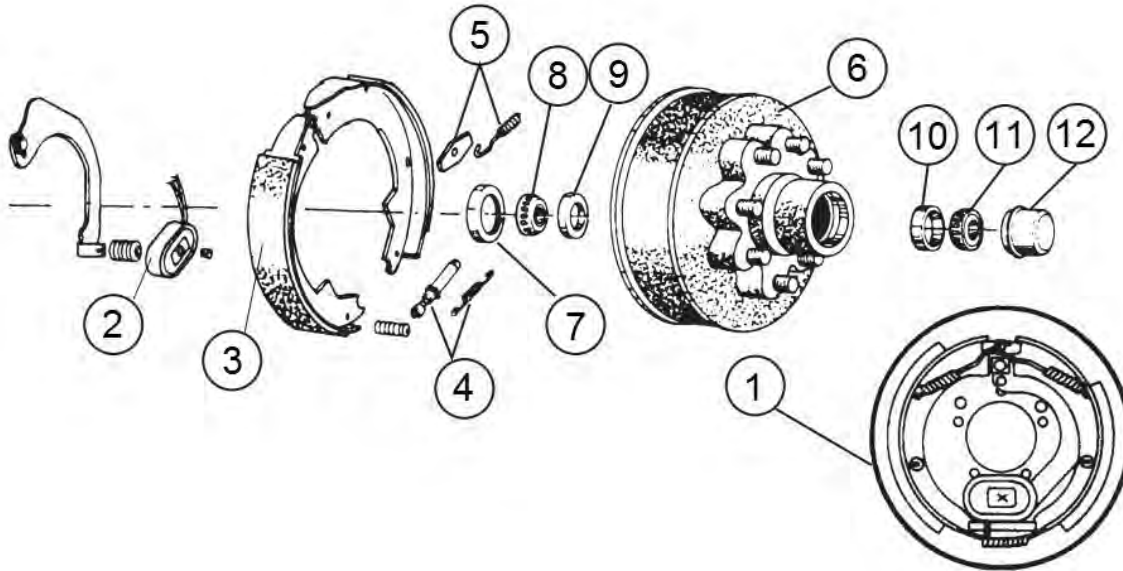
Tow and Wheel View



Ref	Part #	Description	Qty
32	600120	Tow Hitch Assembly	1
*	2005909	<i>Latch Repair Kit</i>	
*	600750	<i>Break-away Switch Assembly</i>	
33	600150	Fender Assembly	2
33A	2000194	<i>Bolt, 3/8" NC x 1", Grade 8</i>	6
34	600260	Spindle Assembly (with Nut)	2
		<i>*Please specify Left or Right side</i>	
34A	2001073	<i>Bolt, 5/8" NC x 3"</i>	8
	2001648	<i>Nut, 5/8" NC, Center Lock</i>	8
34B	2001018	<i>Set Screw, 1/2" NC x 1 1/2", Square Head</i>	8
	2001580	<i>Jam Nut, 1/2" NC</i>	8
34C	2000194	<i>Bolt, 3/8" NC x 1", Grade 8</i>	10
	2002748	<i>Nut, 3/8" NC Gr. 8</i>	10
35	603170	Dolly Pivot Assembly	2
		<i>*Please specify Left or Right side</i>	
35A	600240	<i>Dolly Pin Assembly</i>	2
36	500210	Fender Mount Repair Kit	
		<i>*Requires welding</i>	
*	2002759	<i>Wheel, 16 x 6</i>	4
*	600500	<i>Stand</i>	
*	600360	<i>Pigtail Lights Assembly</i>	1

* Not Pictured

Brake View



Ref	Part #	Description	Qty
1	2002753	Brake & Backing Plate Assembly (LH)	1
1	2002754	Brake & Backing Plate Assembly (RH)	1
2	2002771	Magnet Kit (One Side)	2
3	2002758	Brake Shoe Kit (One Side)	2
4	2002774	Self Adjuster Kit (One Side)	2
5	2002776	Return Spring Kit (Both Sides)	1
6	2002750	Hub & Drum Assembly	2
7	2004045	Seal, Wheel	2
8	2001964	Bearing, Inner (Timken)	2
9	2001965	Race, Inner (Timken)	2
10	2001967	Race, Outer (Timken)	2
11	2001966	Bearing, Outer (Timken)	2
*	2002760	Nut, Spindle	2
*	2006033	Cotter Pin, 5/32" x 2½"	2
12	2002746	Dust Cap	2
*	2006090	Wheel Stud	
*	2006032	Lug Nut	

* Not Pictured