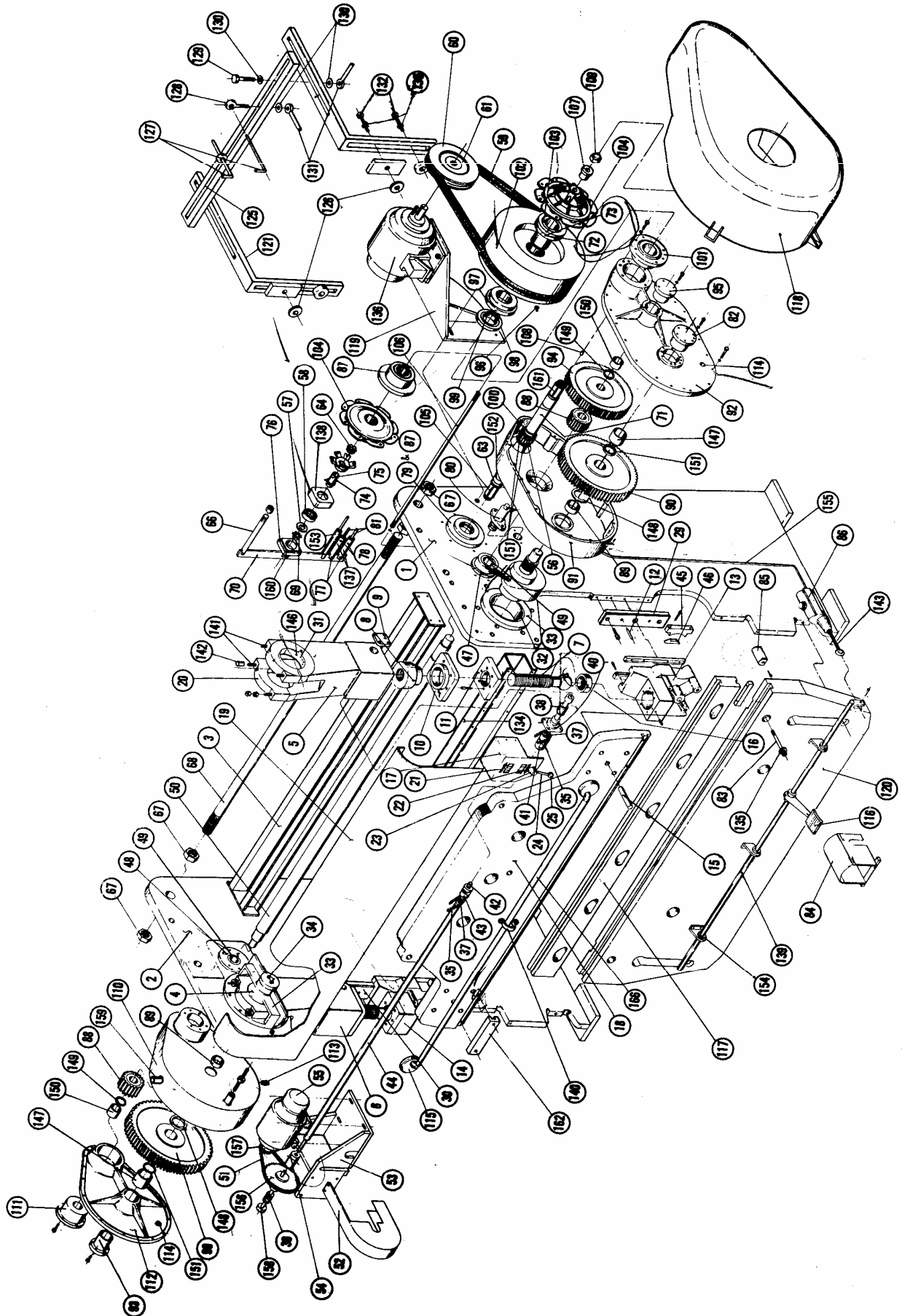
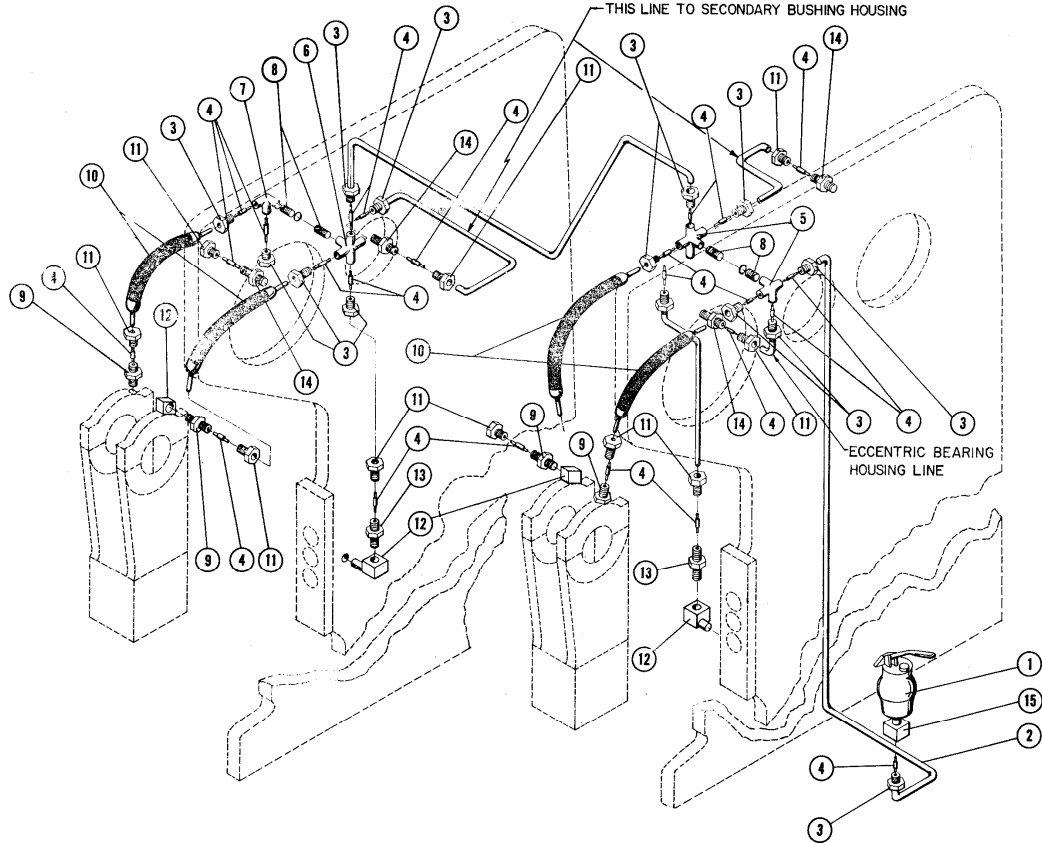


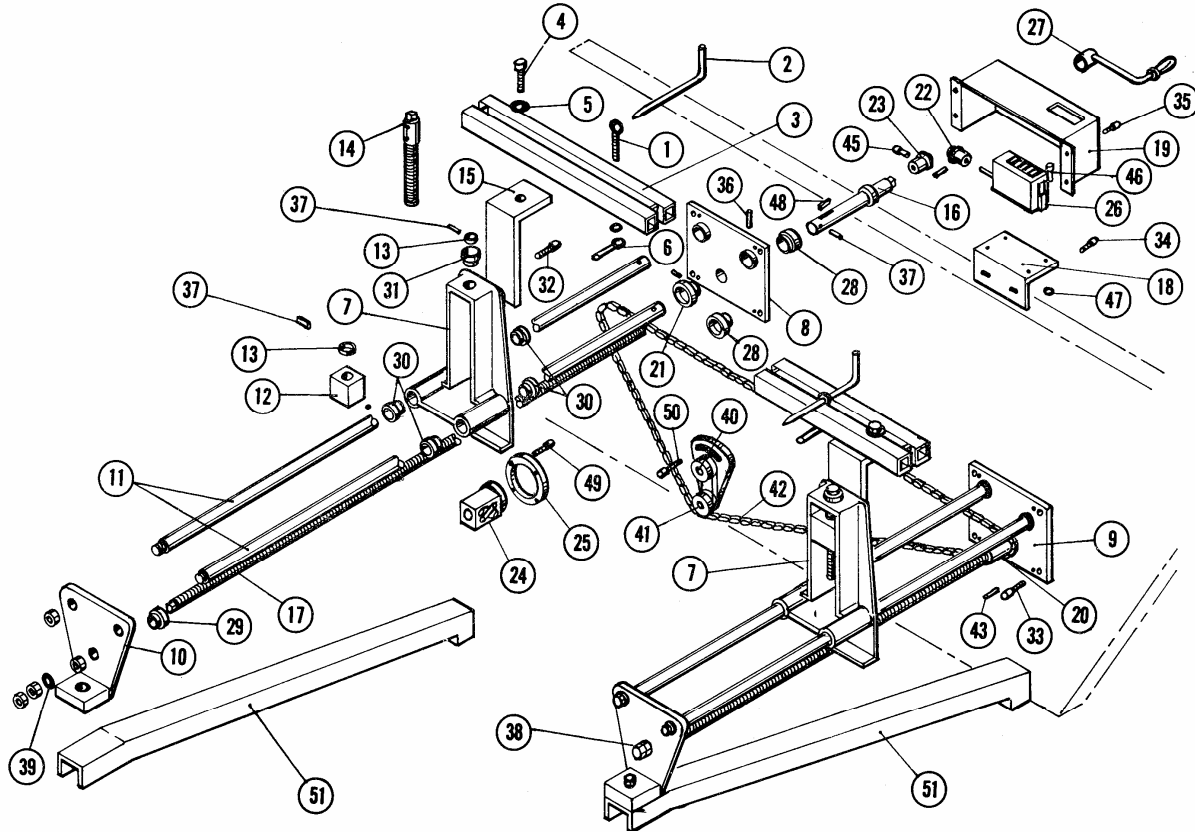
# 90 TON, SINGLE SPEED



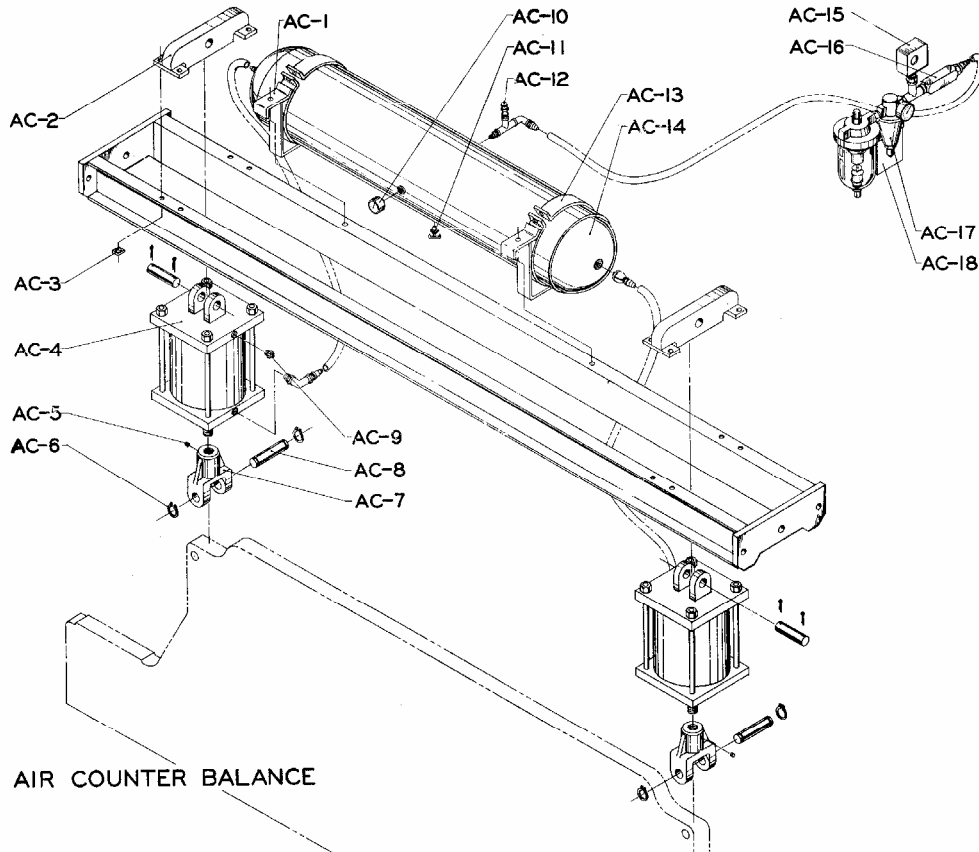
# AUTOMATIC LUBRICATION SYSTEM



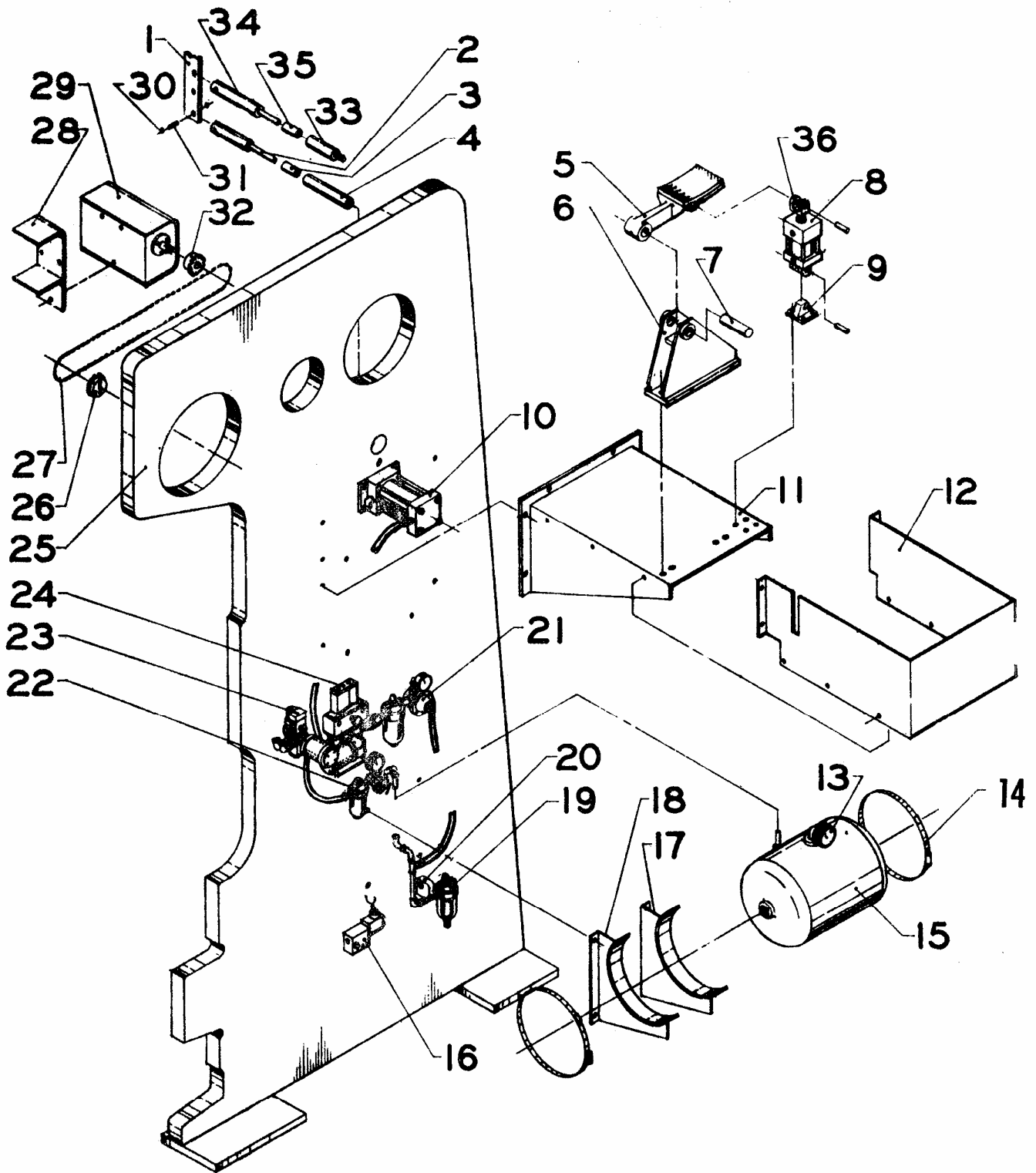
# PRECISION FRONT OPERATED BACK GAUGE



# AIR COUNTERBALANCE SYSTEM



# AIR HYDRAULIC & FLYWHEEL BRAKE



AIR/HYDRAULIC &  
FLYWHEEL BRAKE OPTION