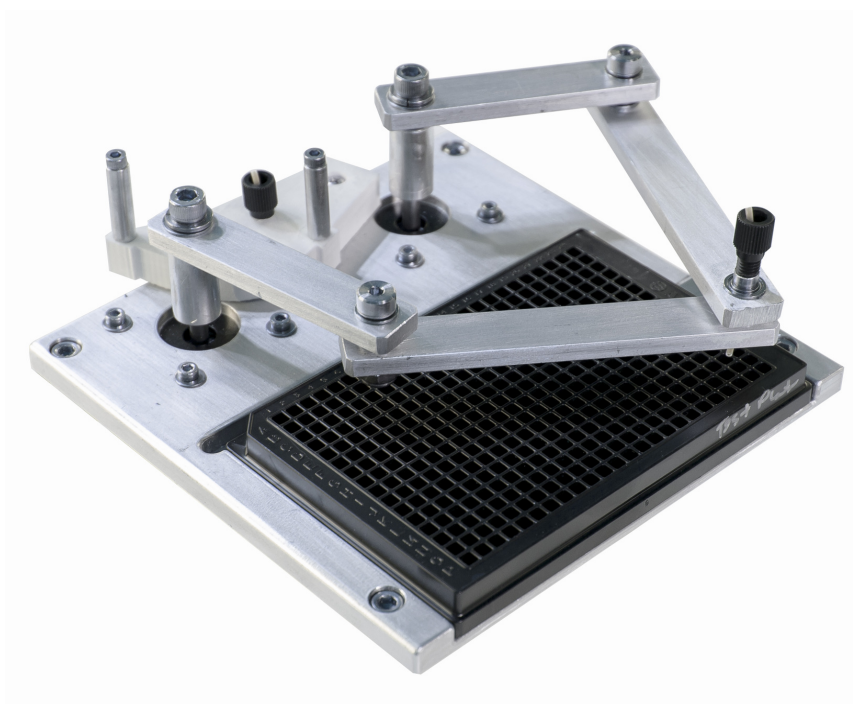


Theta Low Profile Liquid Handling Robots:
Options and Accessories:

By Repco Development Technologies



Theta Cube™

Part Number Scheme

TC-OEM – 02- LMDCL – 1P

Repco Development Technologies, LLC

TC-OEM – 02- LMDE – 1P

TC-OEM – 02- MDCL- 1P

TC-OEM – 02- MDE- 1P

TC Version

OEM indicates oem version (no enclosure)
ENC indicates enclosed version

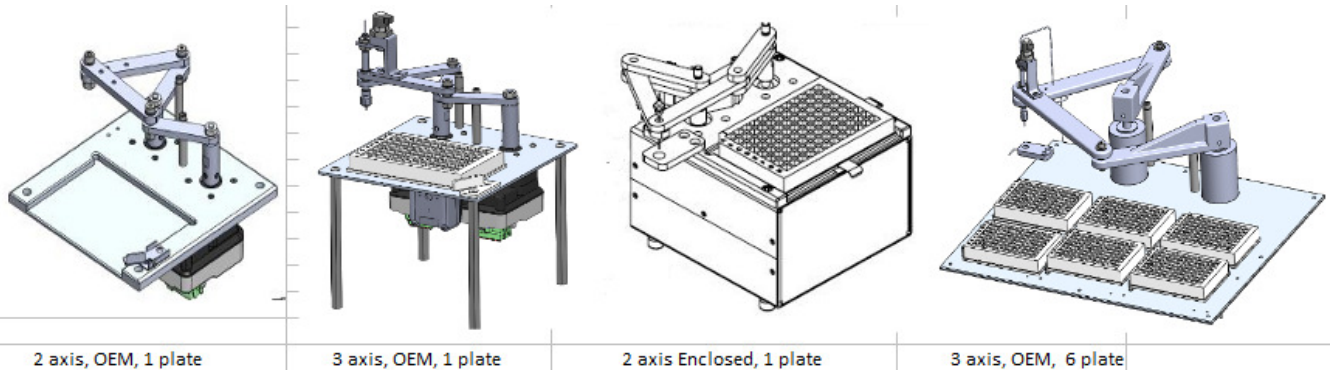
Number of Axis

02 indicates 2 axis.
03 indicates 3 axis

Number of Plate locations

1P indicates # of well plates

Motor Option	Lexium MDrive Closed Loop	Lexium MDrive Encoder	MDrive Closed loop	MDrive Encoder
Motor Part Number	LMDCM422	LMDCP422	MDI1PRL14	MDM1PSD
Input Power	12 to 48 VDC	12-48 VDC	12-48 VDC	12-48 VDC
Feedback	Encoder	Encoder	Encoder	Encoder
Inputs/outputs	3 signal inputs 1 signal output	2 signal inputs	4 general purpose expandable to 8 GP	2 universal input
Command input	Analog input 12 bit	Analog input 12 bit	Analog input 10 bit	
Controller Version	Yes, RS485, Ethernet	NA	Yes, RS485,	NA
Field Bus communications	Ethernet/IP, Modus, CANopen Profinet	Pulse/Direction, speed control, Velocity Mode; Variable speed control, Variable torque mode	Modbus, CANopen	Step Direction, CW/CCW



2 axis, OEM, 1 plate

3 axis, OEM, 1 plate

2 axis Enclosed, 1 plate

3 axis, OEM, 6 plate

All designs are property of Repco Development Technologies, LLC

The contents of this document are strictly confidential and are intended only for the addressee named above. The contents of this document must not be disclosed to any other person or copies taken. The receiving party shall not, copy, decompile, disassemble, or otherwise reverse engineer any items, works or materials provided in this document.

2016 Repco Development Technologies www.RepcoDT.com
3Dispense.com

Single Station Theta



Features:

Low Profile liquid handling robot

24 Vdc

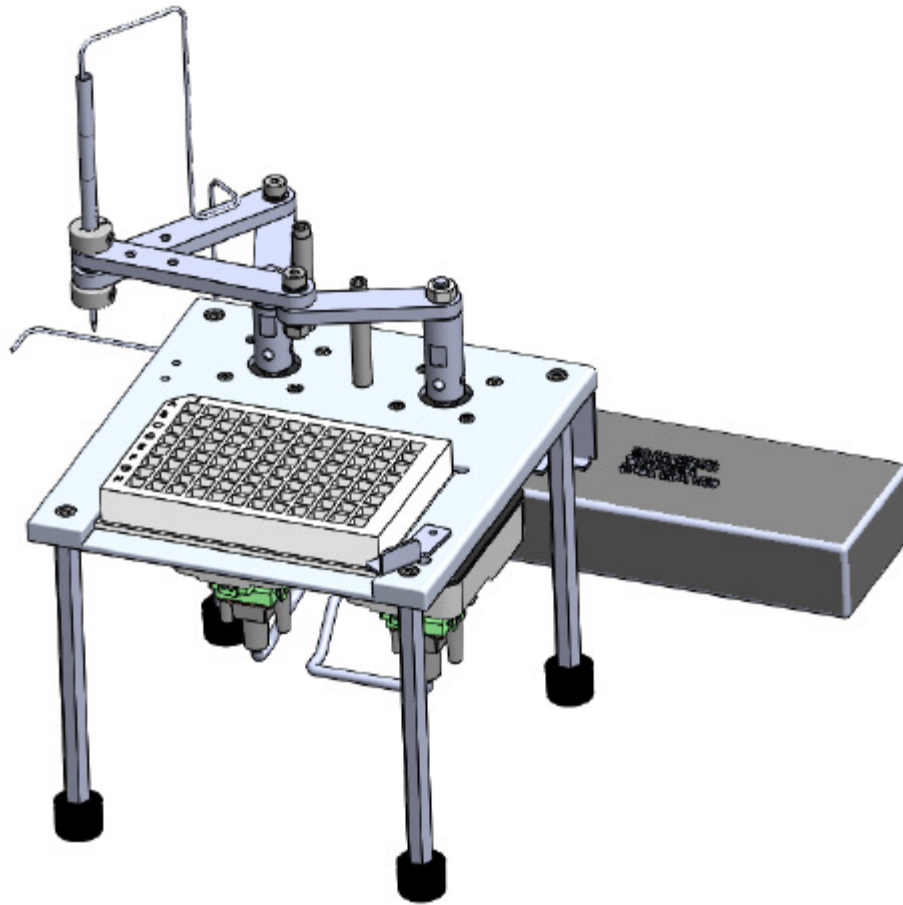
Control via Ethernet, Profinet, Modbus TCP, CANopen, Serial RS-422/485 with programmable memory.

All designs are property of Repco Development Technologies, LLC

The contents of this document are strictly confidential and are intended only for the addressee named above. The contents of this document must not be disclosed to any other person or copies taken. The receiving party shall not, copy, decompile, disassemble, or otherwise reverse engineer any items, works or materials provided in this document.

2016 Repco Development Technologies www.RepcoDT.com
3Dispense.com

Single Station OEM



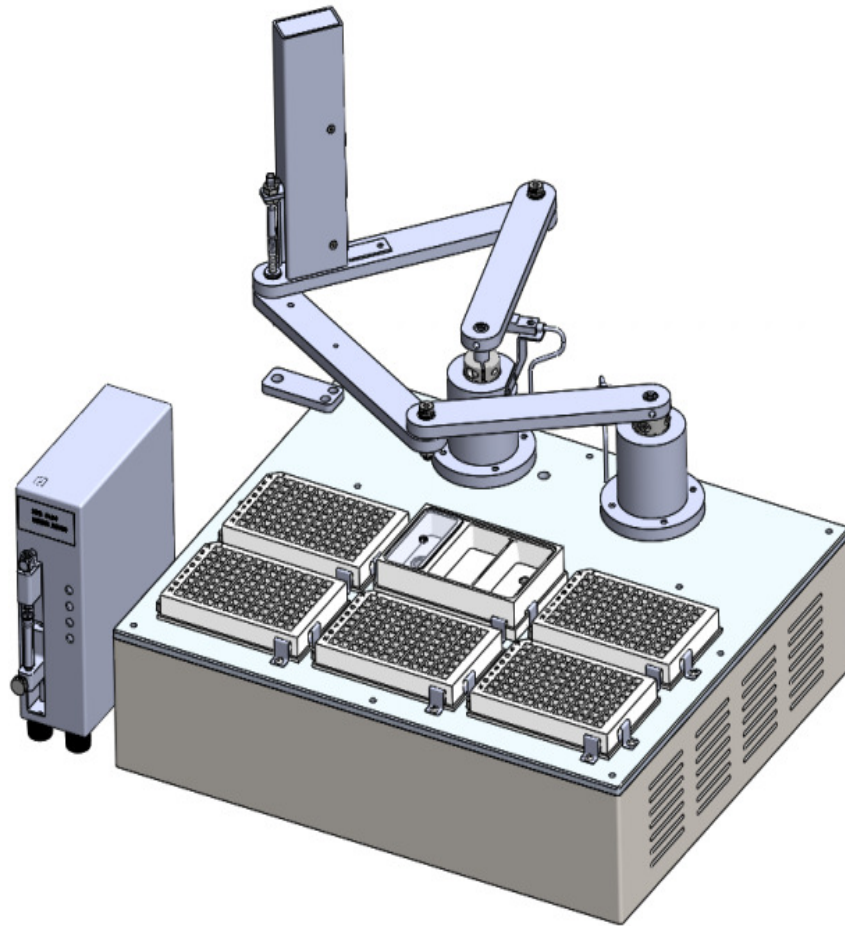
Single Station OEM (Drop in Deck) Theta shown with:
Nanoliter dispense probe.
No Z Axis
optional legs

All designs are property of Repco Development Technologies, LLC

The contents of this document are strictly confidential and are intended only for the addressee named above. The contents of this document must not be disclosed to any other person or copies taken. The receiving party shall not, copy, decompile, disassemble, or otherwise reverse engineer any items, works or materials provided in this document.

2016 Repco Development Technologies www.RepcoDT.com
3Dispense.com

6 Position Theta



Shown with:

3Dispense Nanoliter dispense Module

Nanoliter dispense probe

50 mm Z axis control

Probe wash and drying station.

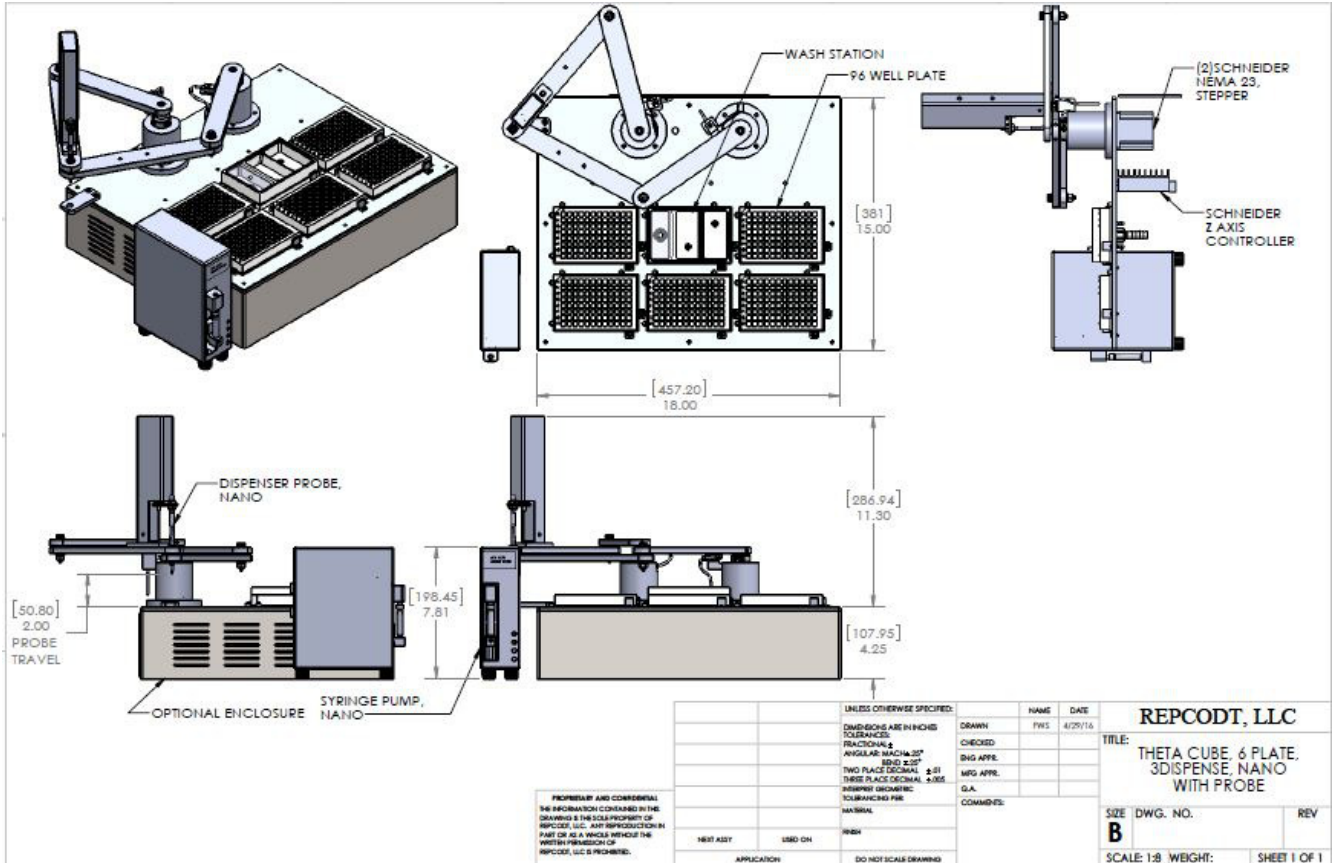
All dispense functions (slave) can be initiated via Lexium Mdrive Motion Control (master) via Ethernet, Profinet, Modbus TCP, CANopen, Serial RS-422/485 with programmable memory.

Optional enclosure shown. Standard OEM version drops into instrument deck
(Fluid tubing, wiring not shown)

All designs are property of Repco Development Technologies, LLC

The contents of this document are strictly confidential and are intended only for the addressee named above. The contents of this document must not be disclosed to any other person or copies taken. The receiving party shall not, copy, decompile, disassemble, or otherwise reverse engineer any items, works or materials provided in this document.

2016 Repco Development Technologies www.RepcoDT.com
3Dispense.com



All designs are property of Repco Development Technologies, LLC

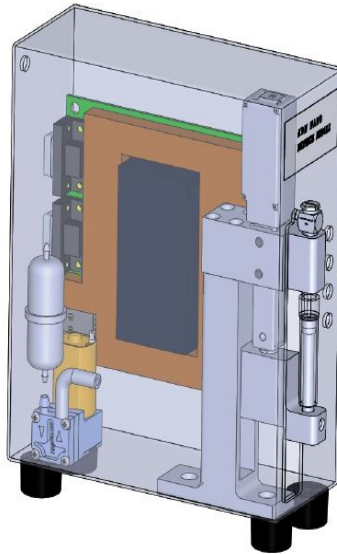
The contents of this document are strictly confidential and are intended only for the addressee named above. The contents of this document must not be disclosed to any other person or copies taken. The receiving party shall not, copy, decompile, disassemble, or otherwise reverse engineer any items, works or materials provided in this document.

2016 Repco Development Technologies www.RepcoDT.com
3Dispense.com

Nano Liter Dispense Control Module - nLDM



Basic Version



Advanced Version

Features:

	<u>Basic</u>	<u>Advanced</u>
Dispense	From 10 nL to 1mL	From 10 nL to 1mL
Control	USB	USB (RS-232, 485)
Prime	User provided	Integrated
		Programmable Functions: *
		Prime
		Purge
		Aspirate
		Dispense

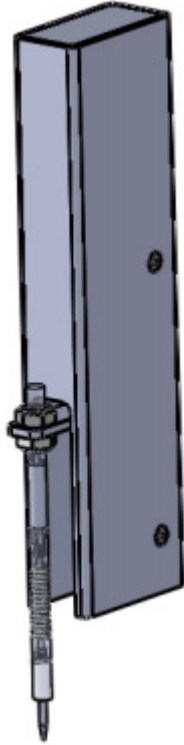
*All functions can be initiated via comm port, I/O ports or manual actuation button on front panel
 Syringe Pump footprint

All designs are property of Repco Development Technologies, LLC

The contents of this document are strictly confidential and are intended only for the addressee named above. The contents of this document must not be disclosed to any other person or copies taken. The receiving party shall not, copy, decompile, disassemble, or otherwise reverse engineer any items, works or materials provided in this document.

2016 Repco Development Technologies www.RepcoDT.com
 3Dispense.com

Z axis with Dispense probe



Z axis with 3cm syringe



Features:

Nano liter dispensing
50 MM Z axis movement
LVDT Position feedback

Allows for use of 3cm syringes
Syringe outlet up for bubble removal
LVDT Position feedback

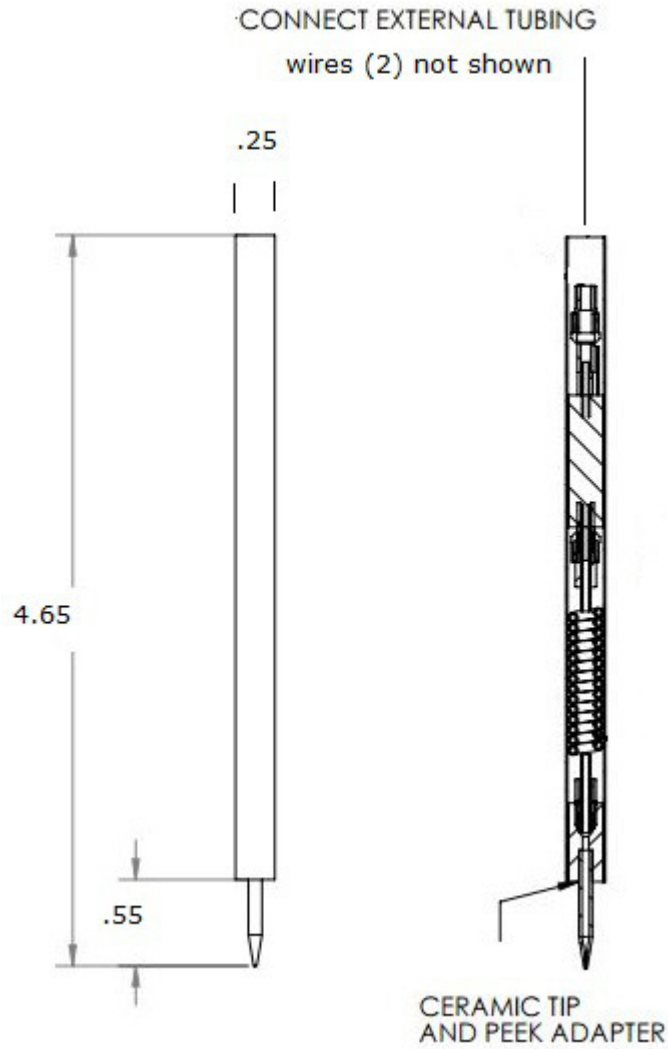
All designs are property of Repco Development Technologies, LLC

The contents of this document are strictly confidential and are intended only for the addressee named above. The contents of this document must not be disclosed to any other person or copies taken. The receiving party shall not, copy, decompile, disassemble, or otherwise reverse engineer any items, works or materials provided in this document.

2016 Repco Development Technologies www.RepcoDT.com

3Dispense.com

3Dispense Probe



Features:

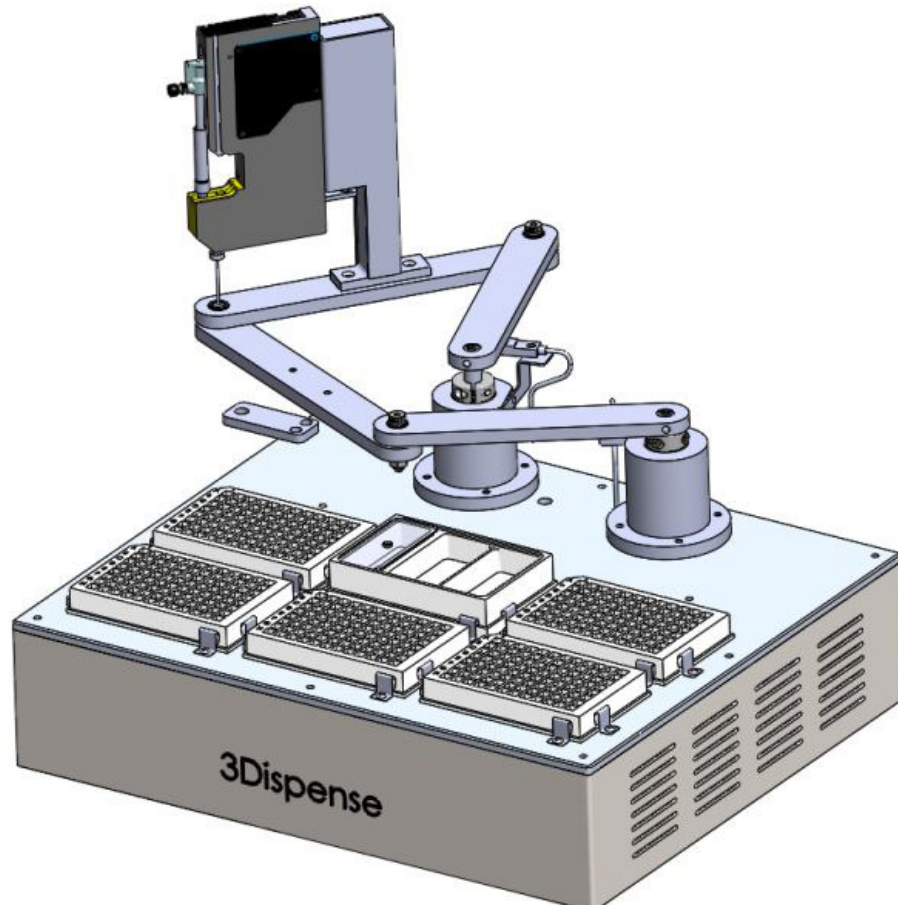
For use with 3Dispense nLDM
Enable droplet generation < 700pL
Non damaging to live cell samples

All designs are property of Repco Development Technologies, LLC

The contents of this document are strictly confidential and are intended only for the addressee named above. The contents of this document must not be disclosed to any other person or copies taken. The receiving party shall not, copy, decompile, disassemble, or otherwise reverse engineer any items, works or materials provided in this document.

2016 Repco Development Technologies www.RepcoDT.com
3Dispense.com

Theta Robot Accessories: - Parker Smart Syringe with Z axis



All designs are property of Repco Development Technologies, LLC

The contents of this document are strictly confidential and are intended only for the addressee named above. The contents of this document must not be disclosed to any other person or copies taken. The receiving party shall not, copy, decompile, disassemble, or otherwise reverse engineer any items, works or materials provided in this document.

2016 Repco Development Technologies www.RepcoDT.com
3Dispense.com