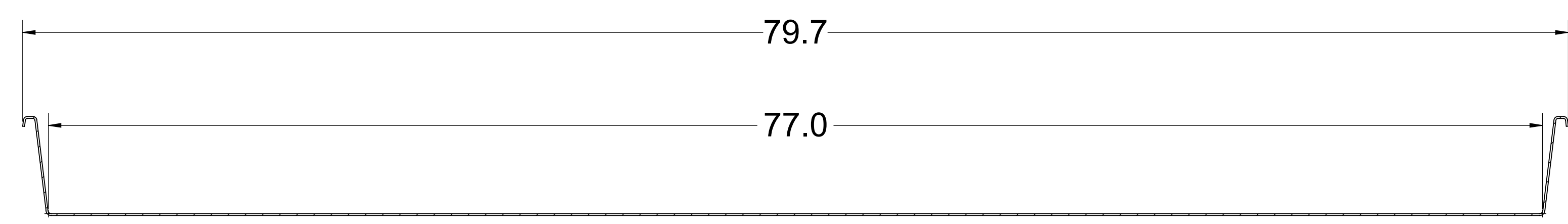
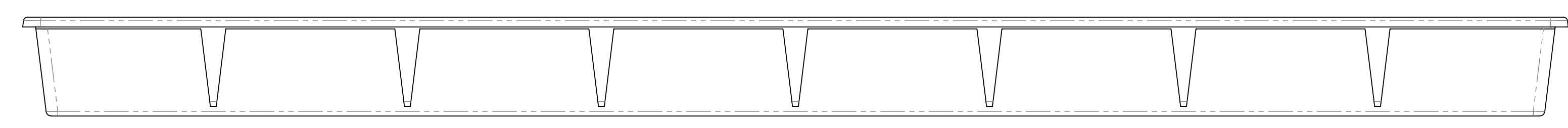


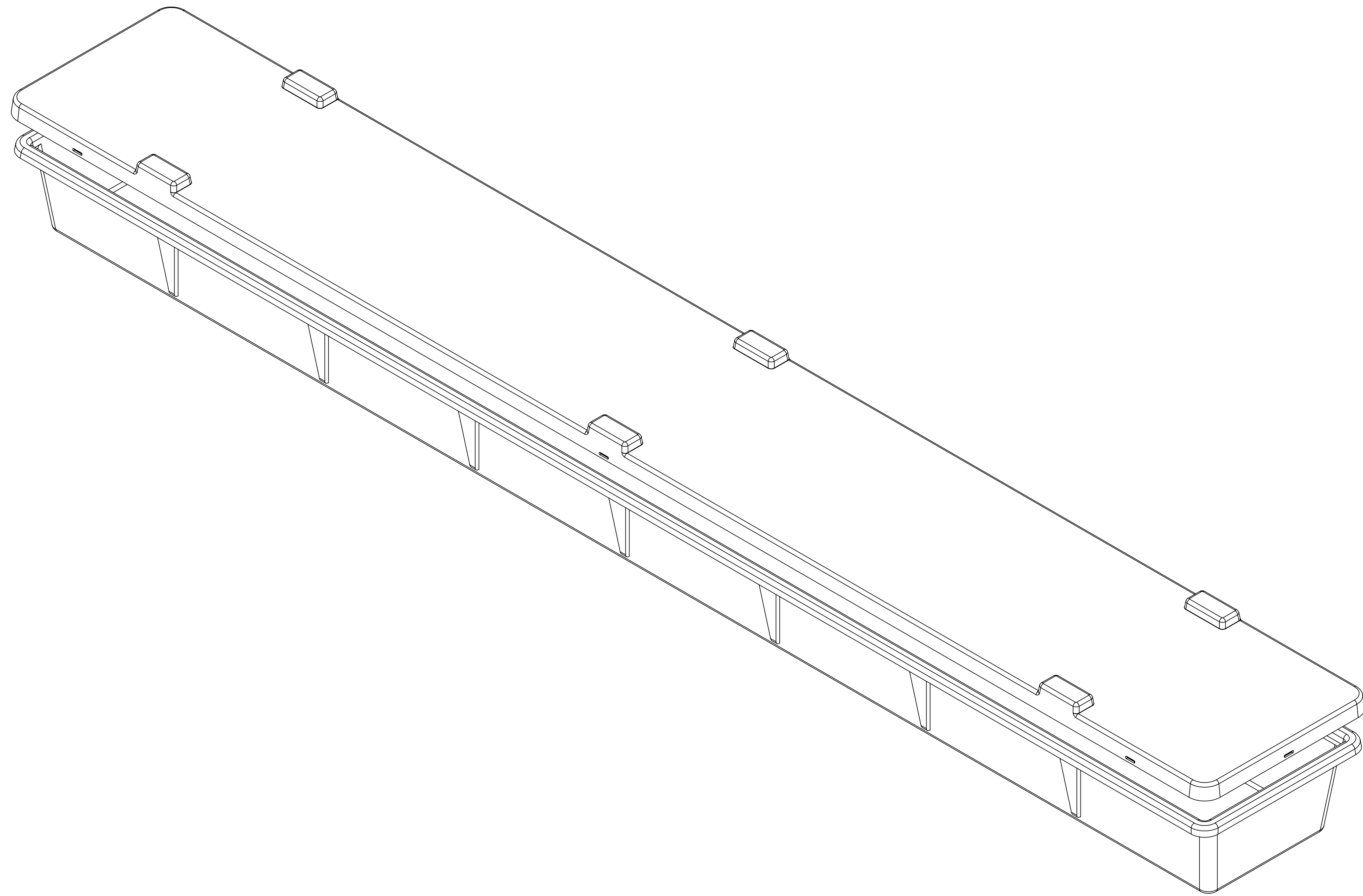
SECTION B-B
SCALE 1 : 5



SECTION A-A
SCALE 1 : 5

Hoosier Plastics, Inc. Thermoformed Plastic Products
2011 South Third St. Terre Haute, IN • Phone: (812) 232-5027 1

PART NUMBER: 3392	REV A	UNLESS OTHERWISE SPECIFIED	DRAWN BY: MJM
DESCRIPTION: TUBE TRAY		DIMENSIONS ARE IN INCHES DRAFT IS 3°	DATE: 04/18/2007
CUSTOMER: ---		DIMENSIONS TO CAVITY SIDE	MATERIAL: DOW 555 ABS
CUSTOMER PART NUMBER: ---		TOLERANCES: ANGULAR: 1° DECIMAL: .020	STOCK SIZE: 5.0 x 7.8 x 77.0
SCALE: 1:5		THIS DESIGN IS THE SOLE PROPERTY OF HOOSIER PLASTICS, INC UNTIL PURCHASED BY CUSTOMER	SHEET 1 OF 2



Hoosier Plastics, Inc. Thermoformed Plastic Products			
<small>2011 South Third St. Terre Haute, IN • Phone: (812) 232-5027 •</small>			
PART NUMBER:	3392	REV A	UNLESS OTHERWISE SPECIFIED
DESCRIPTION:			DIMENSIONS ARE IN INCHES DRAFT IS 3°
CUSTOMER:			DIMENSIONS TO CAVITY SIDE TOLERANCES: ANGULAR: ± DECIMAL: .020
CUSTOMER PART NUMBER:			THIS DESIGN IS THE SOLE PROPERTY OF HOOSIER PLASTICS, INC UNTIL PURCHASED BY CUSTOMER
SCALE: 1:3			DRAWN BY:
			DATE:
			MATERIAL:
			STOCK SIZE:
			SHEET 2 OF 2