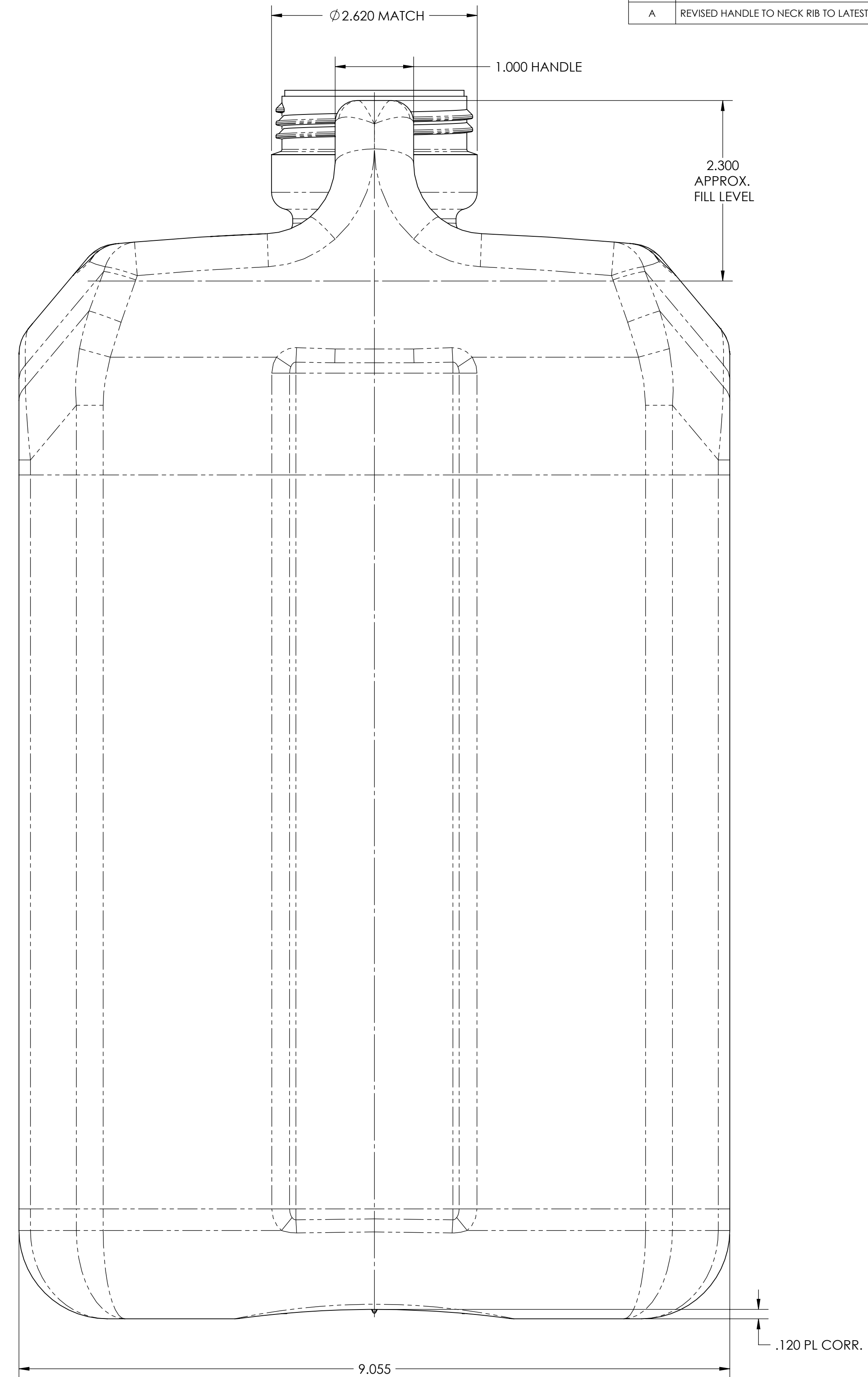
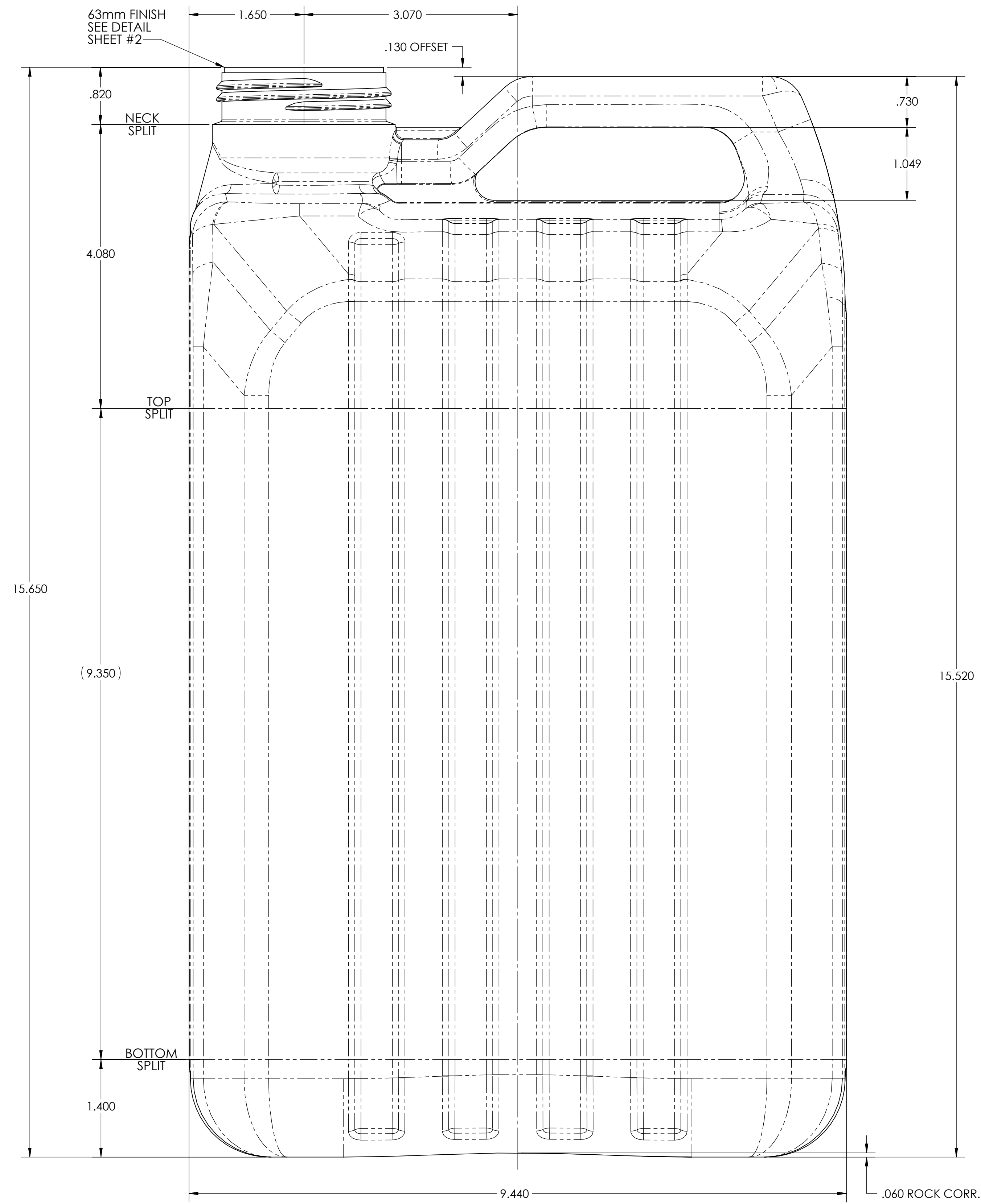


REV.	DESCRIPTION	DATE	APPROVED
A	REVISED HANDLE TO NECK RIB TO LATEST REQUIREMENTS (SHT #2)	4/11/2016	MJS



- Notes:**  
 1) Tolerances Unless Specified:  
 Vertical --  $\pm .110"$   
 Horizontal --  $\pm .110"$   
 Volumetric --  $\pm 6.3$  oz  
 2) Bottles to be Checked Aged with 20 °C water  
 3) Estimated Bulge -- None (Box Fill)

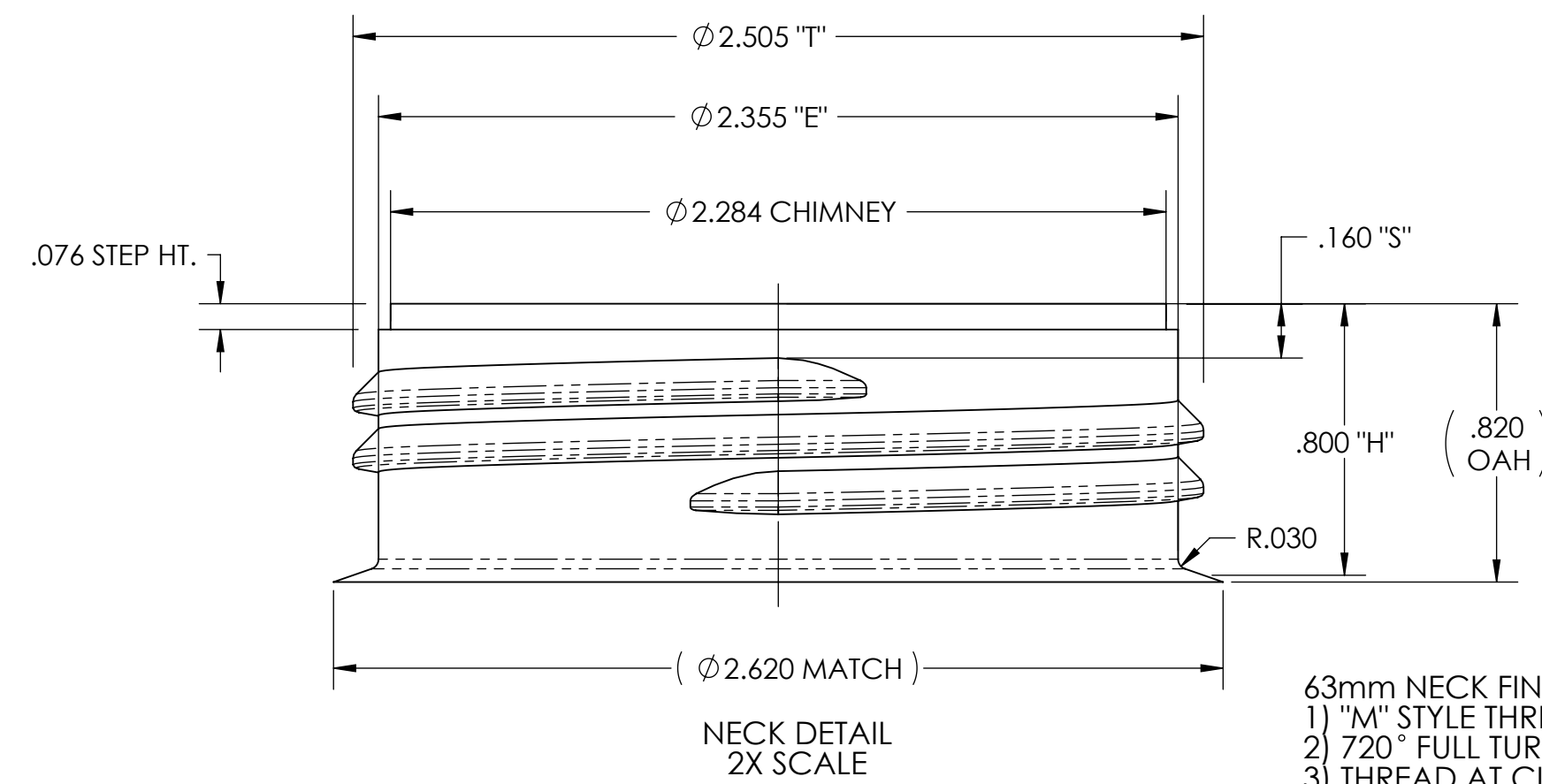
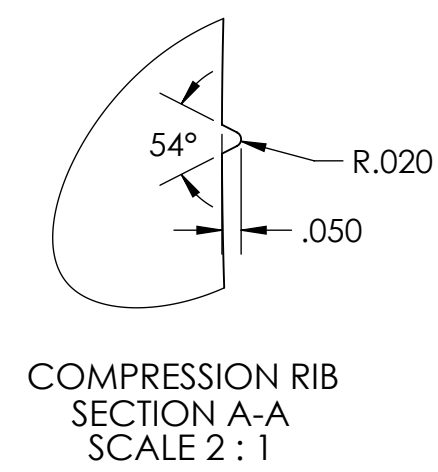
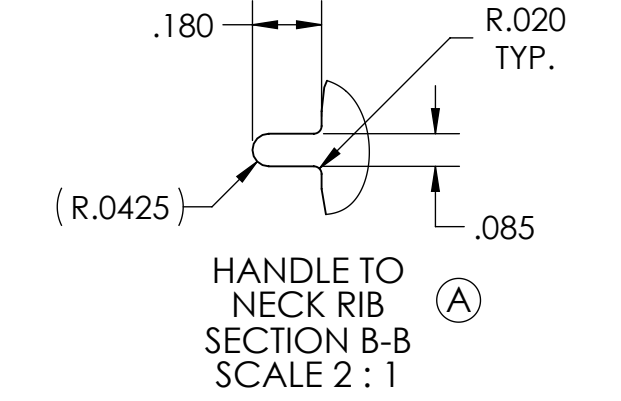
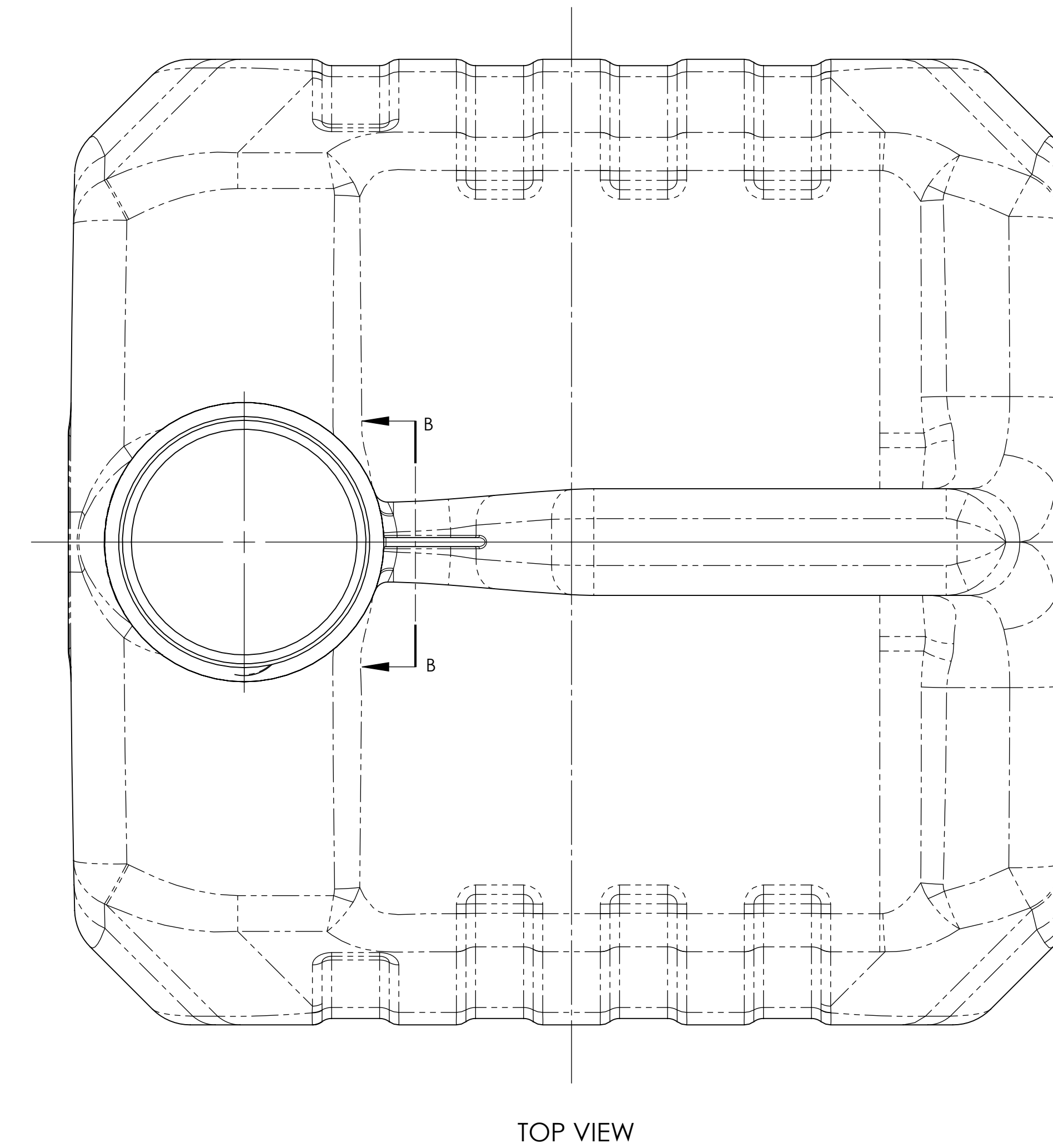
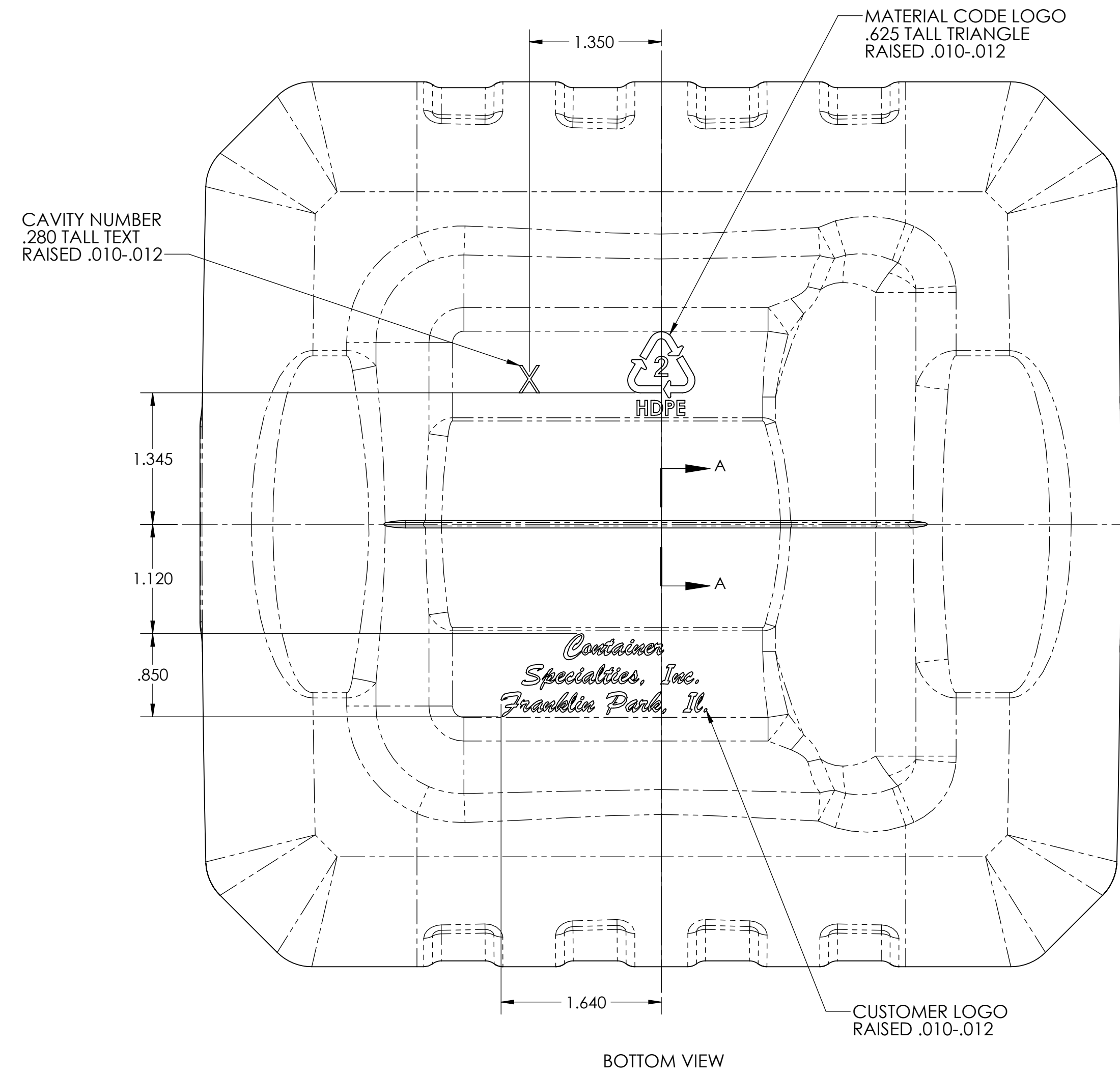
**PROPRIETARY AND CONFIDENTIAL**  
 THE INFORMATION CONTAINED IN THIS DRAWING IS THE SOLE PROPERTY OF MID-AMERICA MACHINING, INC. ANY REPRODUCTION IN PART OR AS A WHOLE WITHOUT THE WRITTEN PERMISSION OF MID-AMERICA MACHINING, INC. IS PROHIBITED.

Drawn By: MJS Date: 3/31/2016  
 Checked: SPK Date: 3/31/2016  
 Customer: CSI Job#: 24756  
 Reference Materials:  
 MA-P-2556-A

Container Data:  
 Weight: 250 grams  
 Fill Level Capacity: 588.8 oz.  
 Overflow Capacity: 609.3 oz.  
 Material: HDPE  
 Avg. Wall Thickness: .120 PL CORR.

Product Drawing  
 35# Edible Oil  
 Size: D  
 Drawing Number: MA9110-2  
 REV: A  
 SHEET 1 OF 2

REV.	DESCRIPTION	DATE	APPROVED
-	See Sheet1	-	-



- 63mm NECK FINISH NOTES
- 1) "M" STYLE THREAD
  - 2) 720° FULL TURNS OF THREAD
  - 3) THREAD AT CL IN PIN HALF AS SHOWN
  - 4) 6 THREADS PER INCH

PROPRIETARY AND CONFIDENTIAL		Drawn By: MJS	Date: 3/31/2016	Container Data:	
<small>THE INFORMATION CONTAINED IN THIS DRAWING IS THE SOLE PROPERTY OF MID-AMERICA MACHINING, INC. ANY REPRODUCTION IN PART OR AS A WHOLE WITHOUT THE WRITTEN PERMISSION OF MID-AMERICA MACHINING, INC. IS PROHIBITED.</small>		Checked: SPK	Date: 3/31/2016	Weight	250 grams
		Customer: CSI	Job#: 24756	Fill Level Capacity	588.8 oz.
		Reference Materials:		Overflow Capacity	609.3 oz.
		MA-P-2556-A		Material	HDPE
				Avg. Wall Thickness	
				Size: D	REV: A
				Scale: 1:1	SHEET 2 OF 2
				Description: Product Drawing 35# Edible Oil	
				Drawing Number: MA9110-2	

