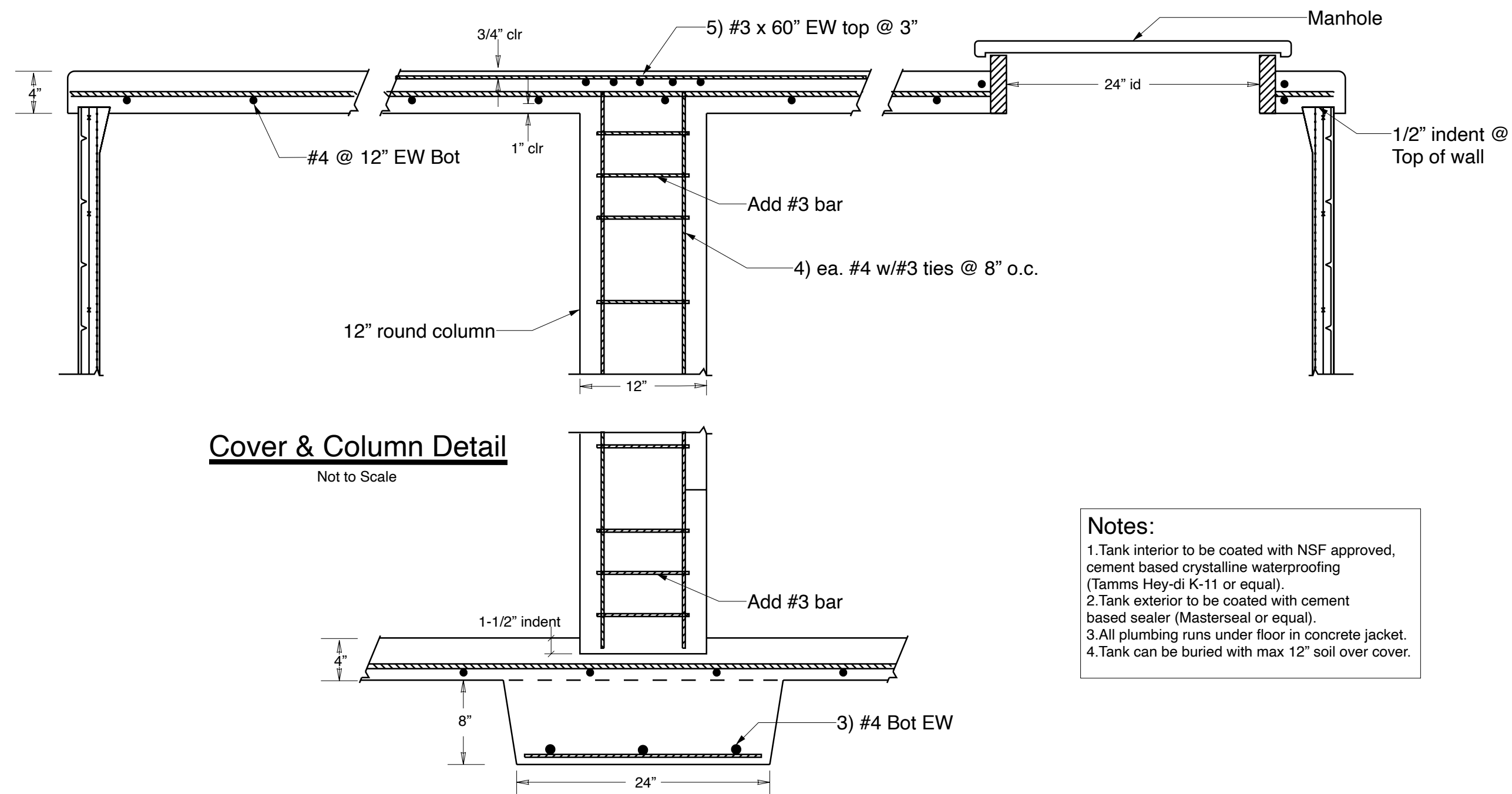
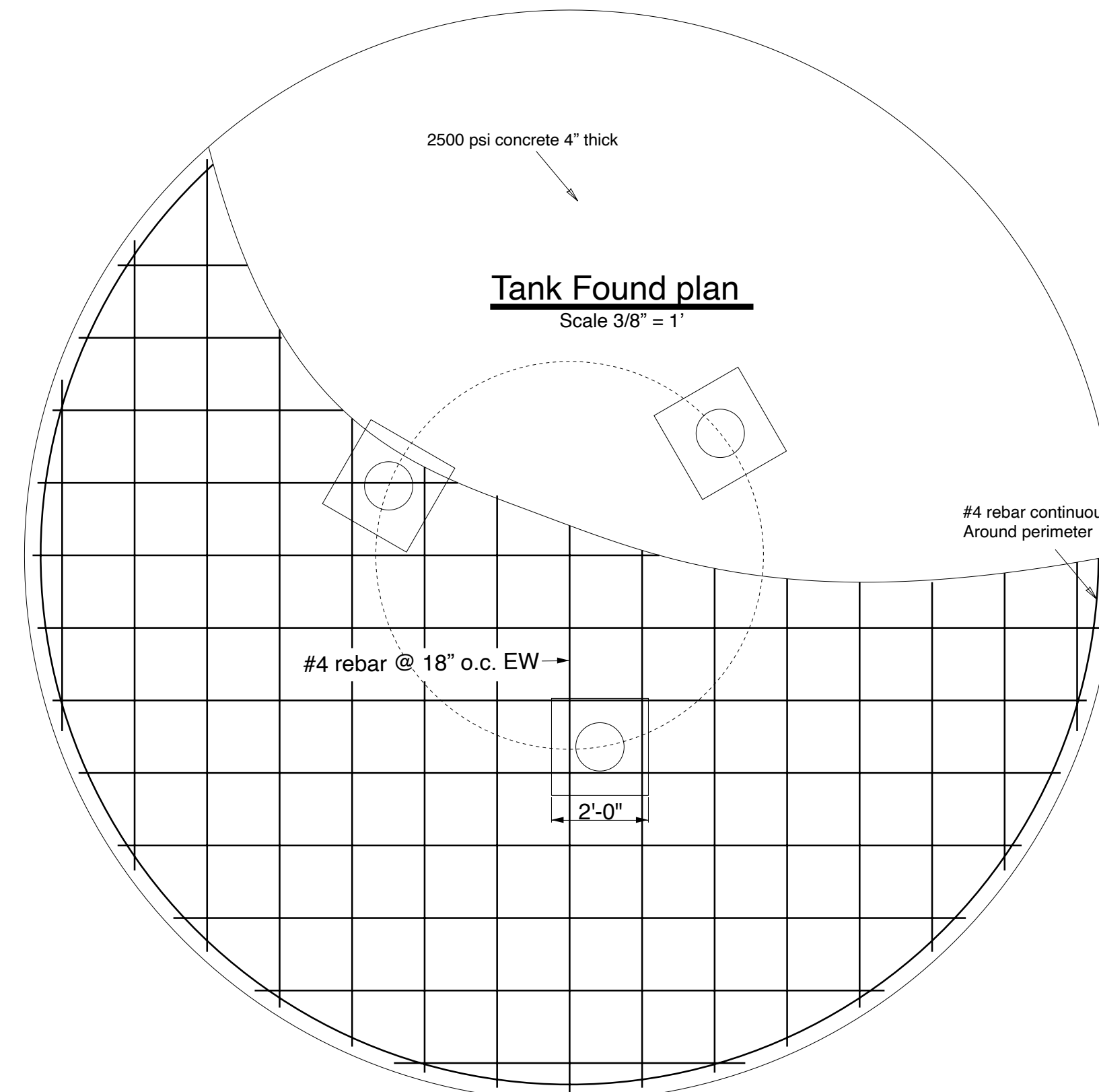
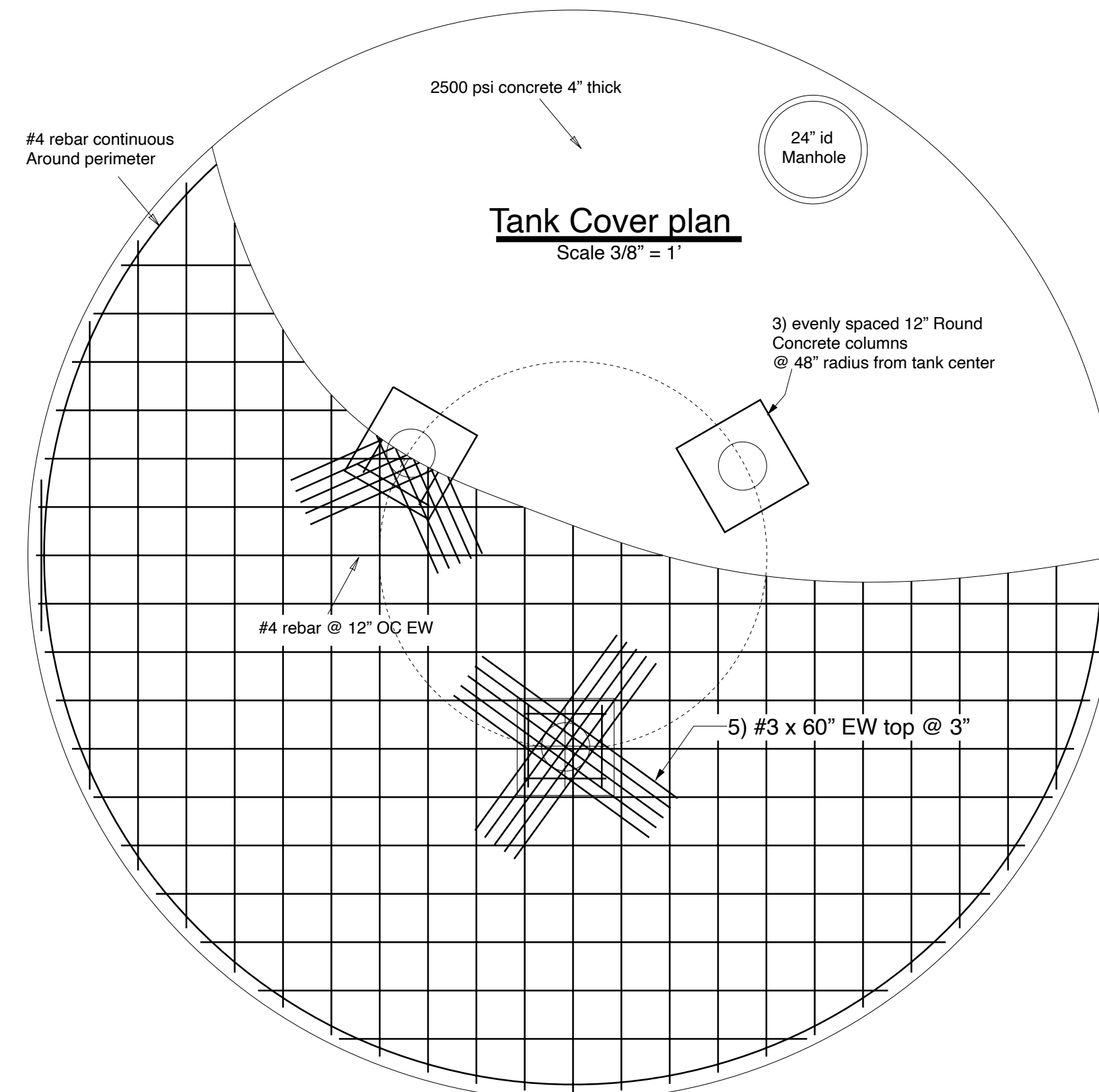
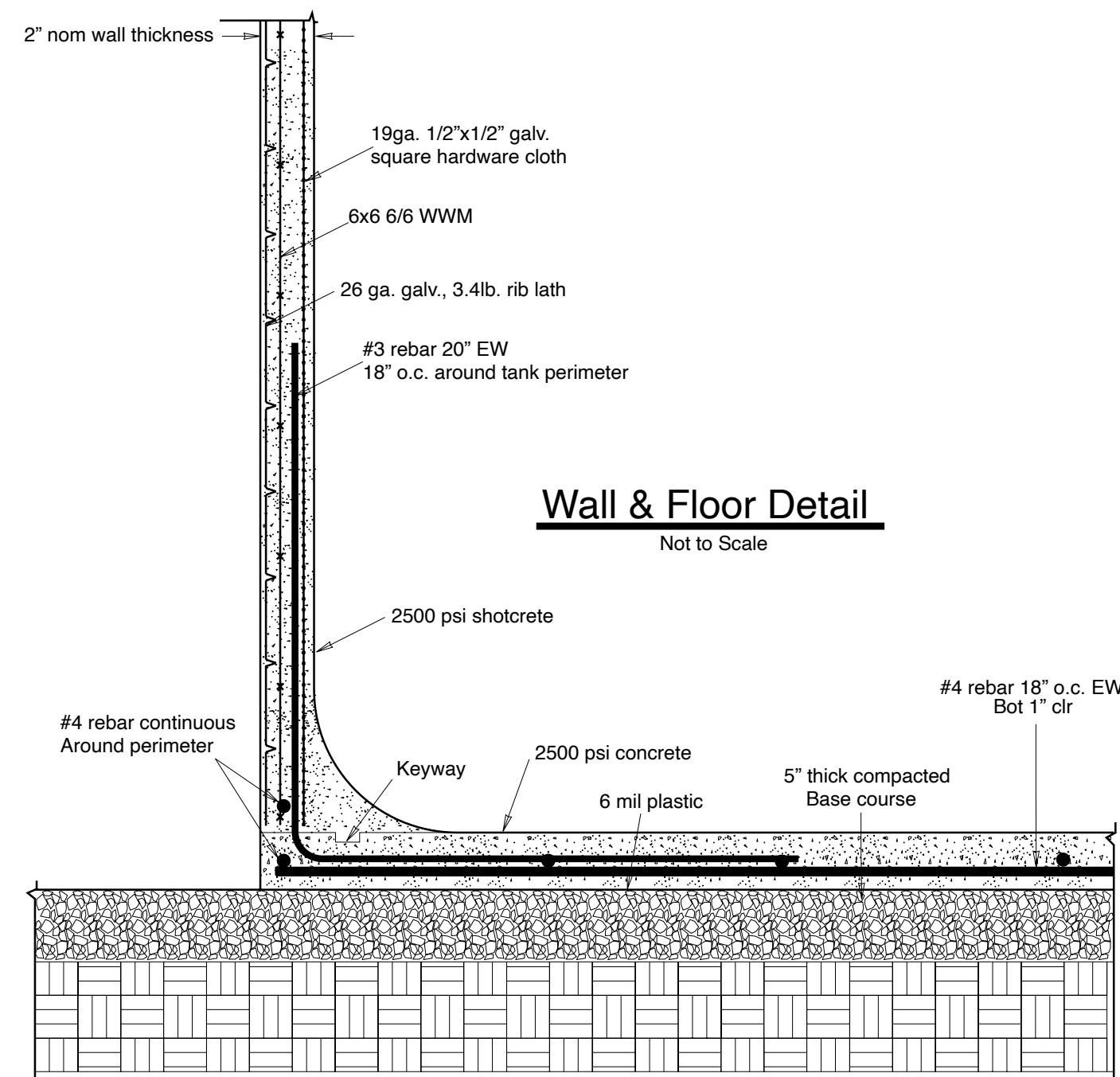
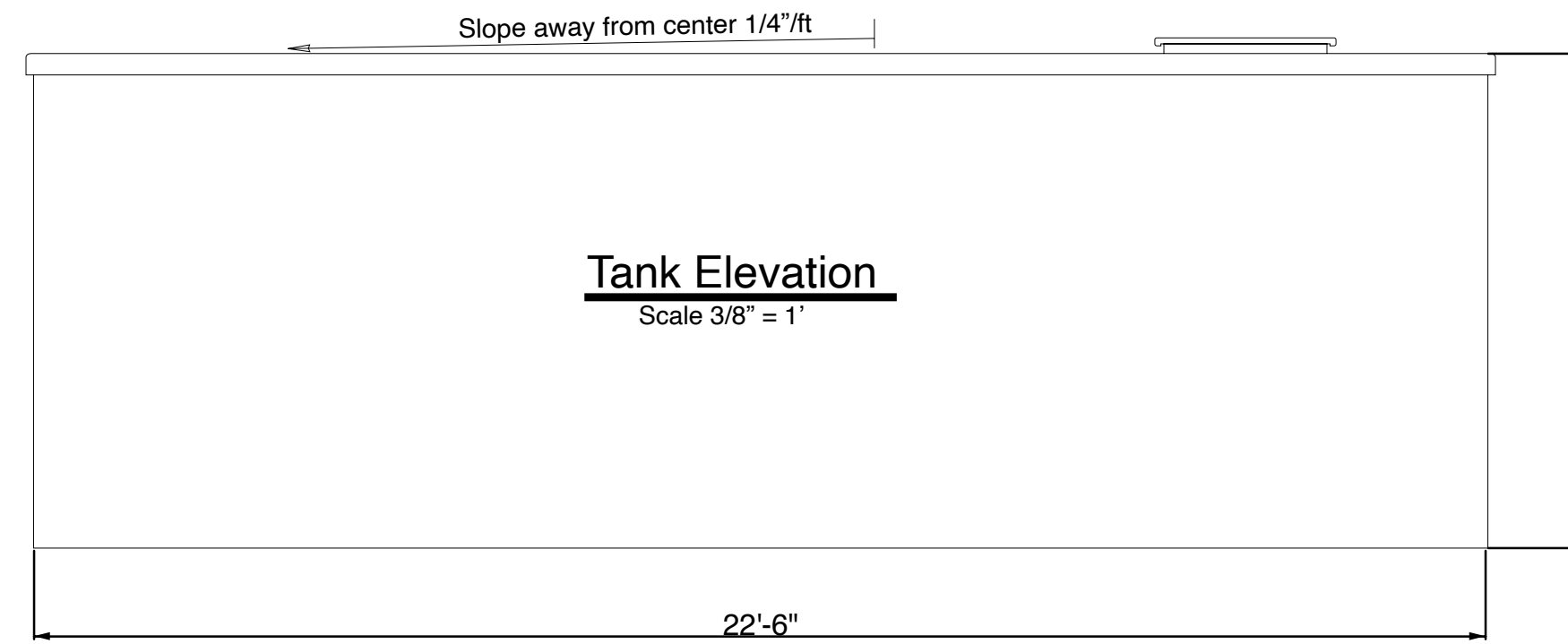


Pacific Gunite
 Box 421
 Mt. View, HI
 96771
 808-968-6059



- Notes:**
1. Tank interior to be coated with NSF approved, cement based crystalline waterproofing (Tammis Hey-di K-11 or equal).
 2. Tank exterior to be coated with cement based sealer (Masterseal or equal).
 3. All plumbing runs under floor in concrete jacket.
 4. Tank can be buried with max 12" soil over cover.



20,000 Gallon
 Ferrocement
 Water Tank

December 2021