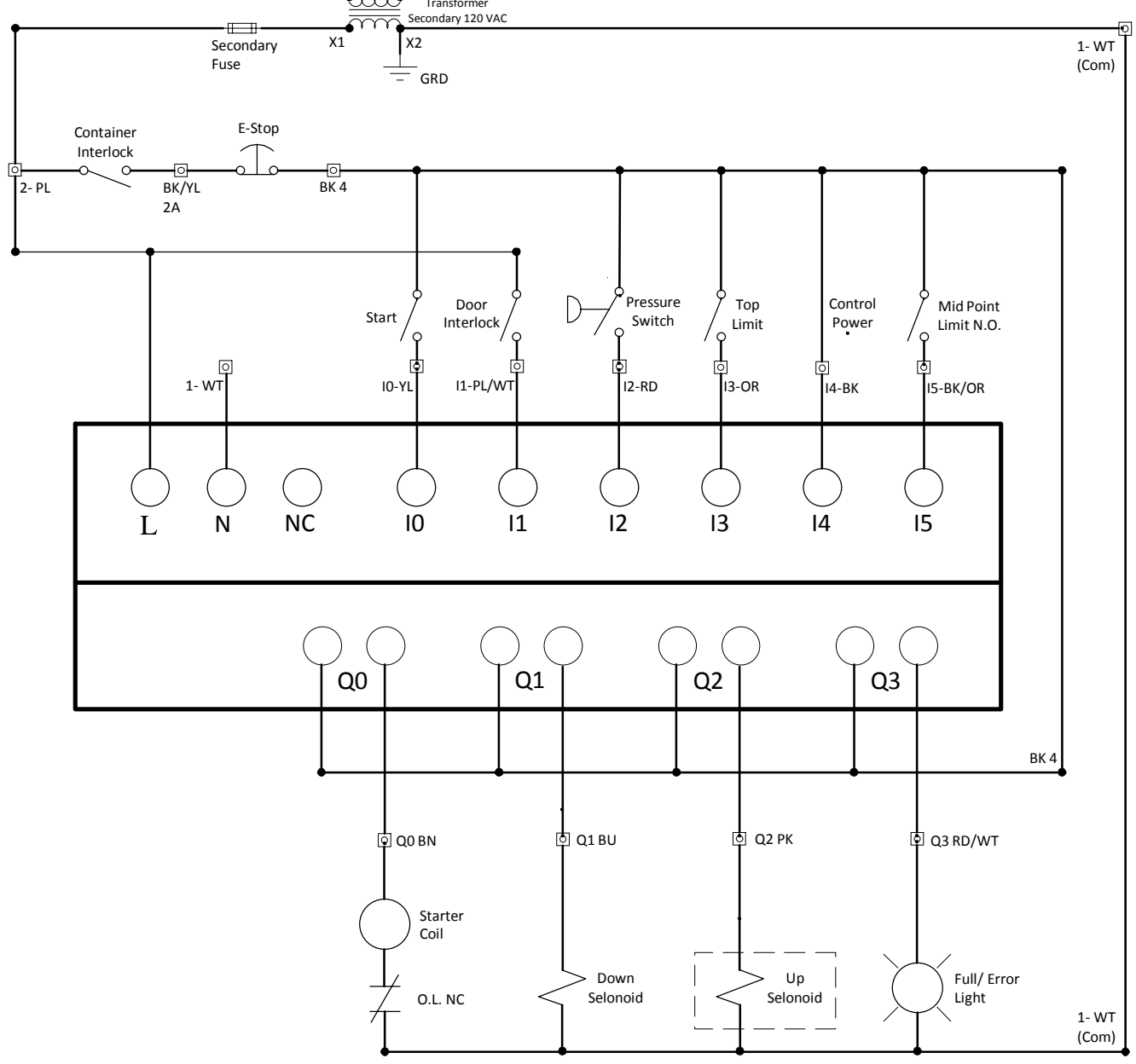
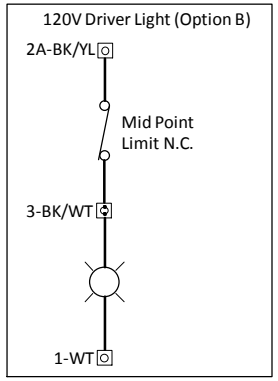
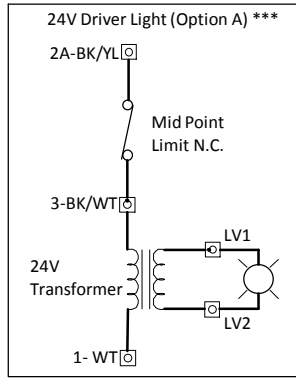
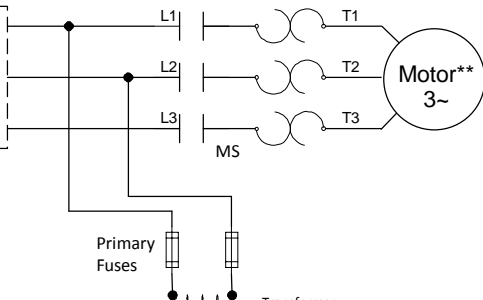


**For single phase jump T2 to L3 on starter, connect motor to T1 and T3.
 ***Earlier schematic versions used 2 instead of 2A and did not use Terminal 3.

Main disconnect/branch circuit protection must be supplied by customer. Refer to fuse and breaker chart and local codes.



Description: Versa-VIP V2 Wiring. For support go to www.versa-vip.net or call 352-742-4774.