

## Model TKH Series – High Pressure Multi-Cartridge Filter Housings



### Model TKH Series High Pressure Multi-Cartridge Filter Housings

**Heavy-duty, cost-effective filter housings suitable for pressures up to 200 psi and flow rates up to 140 gpm**

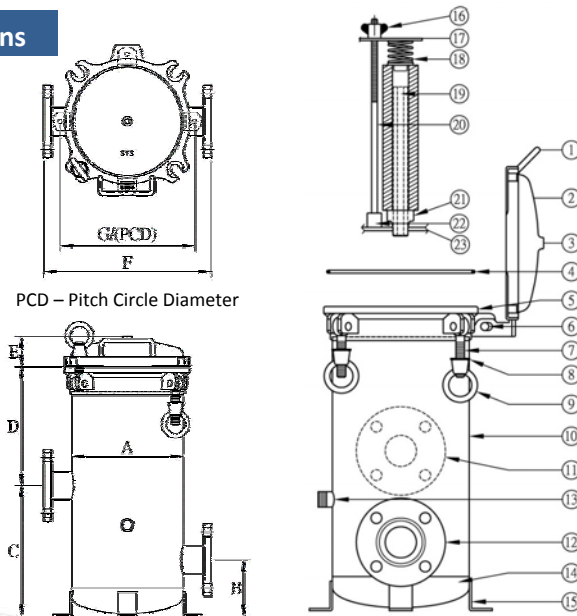
#### Description

<b>Product:</b>	Model TKH Series—High Pressure Multi-Cartridge Filter Housings
<b>Applications:</b>	High Pressure filtration applications
<b>Configuration:</b>	Multiple cartridges (SOE & DOE)
<b>Material of Construction:</b>	Stainless steel construction (SS304, SS316, SS316L) Heavy duty investment-case components
<b>Inlet Outlet Connections:</b>	1/2"-3" (NPT, ANSI 150 flange)
<b>Flow Rate:</b>	Up to 140 gpm
<b>Max. Pressure:</b>	200 psi
<b>Temperature:</b>	210 °F
<b>Surface finish:</b>	Electropolished
<b>Closure Mechanism:</b>	Eyebolt Closure; hinged cover
<b>Seal type:</b>	O-Ring (BUNA, EPDM, VITON, PTFE encapsulate VITON)
<b>Cartridge Size:</b>	10", 20", 30" and 40"
<b>Leg Support:</b>	Stainless steel (SS304)
<b>Inlet outlet position:</b>	Side or bottom outlet available
<b>Customizations:</b>	Other connection sizes and standards (JIS, DIN) are available
<b>Recommended Spare Parts:</b>	O-Rings, Nuts for Screw Rod, Cartridge Hold-down Plates, Cartridge Hold-down Rings, Cartridge Center Rods, Screw Rods



## Model TKH Series – High Pressure Multi-Cartridge Filter Housings

### Dimensions



PCD – Pitch Circle Diameter

NO.	Description
1	Handle
2	Top Cover
3	Port Vent
4	O-Ring
5	Shell Flange
6	Hinge
7	Eye Bolt
8	Spacer
9	Eye Nut
10	Shell
11	Port Inlet
12	Port Outlet
13	Port Drain
14	Bottom Cover
15	Leg Support
16	Nut for Screw Rod
17	Cartridge Hold-down Plate
18	Cartridge Hold-down Ring
19	Cartridge Center Rod
20	Screw Rod
21	Cartridge Bowl
22	Nut for Screw Rod
23	Cartridge Support Plate

Inch  
[mm]

No of Cartridges NO	Cartridge Size	Flow GPM	Dimensions							Weight LBs	Volume Gal
			A	B	C	D	E	F	G		
3-4	10"	15-20	7 [181]	4-1/2 [120]	11 [280]	9-3/4 [253]	2 [55]	11-3/4 [300]	10-1/4 [266]	55	4.8
	20"	30-40	7 [181]	4-1/2 [120]	11 [280]	20 [508]	2 [55]	11-3/4 [300]	10-1/4 [266]	66	7.1
	30"	45-60	7 [181]	4-1/2 [120]	11 [280]	30 [763]	2 [55]	11-3/4 [300]	10-1/4 [266]	77	9.5
5-7	10'	25-35	9 [232]	4-1/2 [120]	11 [280]	9-3/4 [253]	2-1/2 [65]	14 [358]	11-1/4 [288]	66	6.1
	20"	50-70	9 [232]	4-1/2 [120]	11 [280]	20 [508]	2-1/2 [65]	14 [358]	11-1/4 [288]	77	9.0
	30"	75-105	9 [232]	4-1/2 [120]	11 [280]	30 [763]	2-1/2 [65]	14 [358]	11-1/4 [288]	88	11.9
	40"	100-140	9 [232]	4-1/2 [120]	11 [280]	40 [1018]	2-1/2 [65]	14 [358]	11-1/4 [288]	101	14.5

All dimensions are nominal and rounded to 1/4" in the format of inch[mm]

### How to order

Product Codes							
TKH-	A-	03-	20-	A-	200-	015-	030-
	Material	No. of Cartridges	Cartridge Size	Connection Type	Pressure Rating	Connection Size	Flow Rate
	A-SS304 B-SS316 C-SS316L	03 06 04 07 05	10-10" 20-20" 30-30" 40-40"	A-ANSI 150 Flange N-NPT	200-200psi	005-1/2" 010-1" ..... 030-3"	015-15 gpm 020-20 ..... 140-140

Example: TKH-A-03-20-A-200-015-030-E-N

Product Codes (Continued)	
E -	N
O-Ring	ASME Code
B -BUNA	N-No
E -EPDM	A-YES, No Stamps
V -VITON	AU-YES, "U" Stamp
P -PTFE W/VITON	

Accessory Codes & Spare Parts Codes			
TKH	S-	B-	10-
	Spare Parts	Material	Cartridge Size
		A-SS304 B-SS316 C-SS316L	10-10" 20-20" 30-30" 40-40"
		B-BUNA E-EPDM V-VITON P-PTFE W/VITON	
			NR-Nut for Screw Rod CP-Cartridge Hold-down Plate CS-Cartridge Hold-down Ring CR-Cartridge Center Rod SR-Screw Rod
			OR-O-Ring

Example:TKHS-B-10-NR