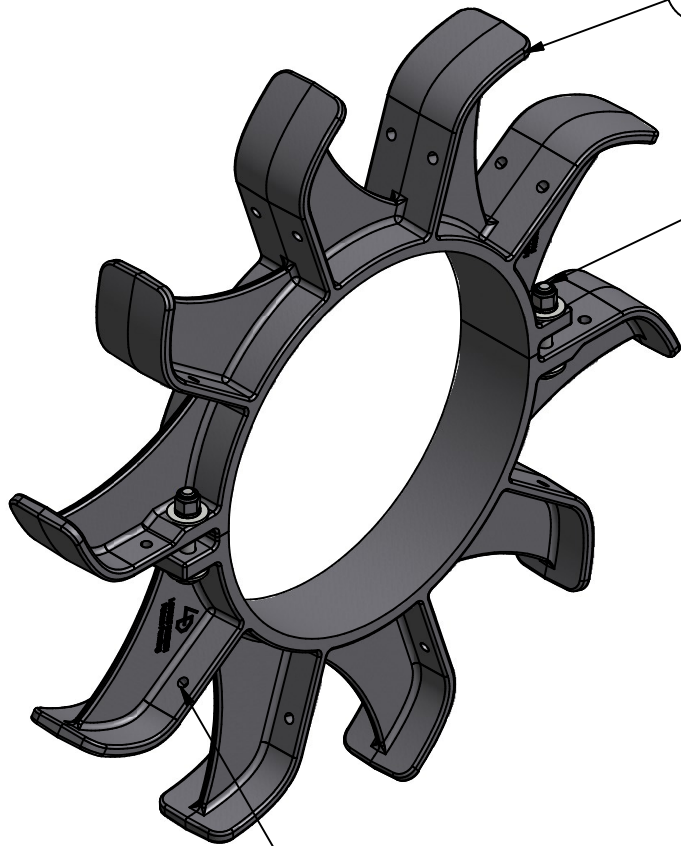


2

1

1

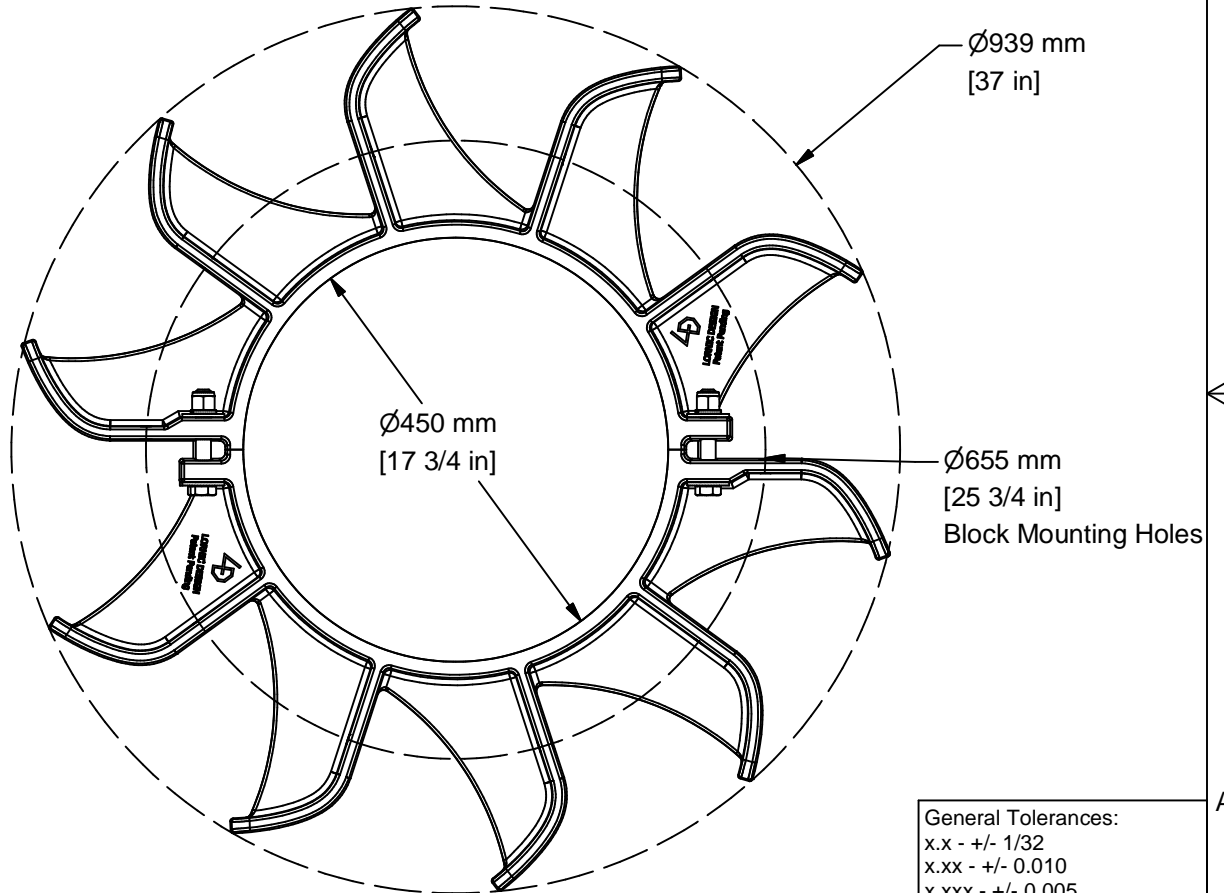


Block Mounting Holes per customer
1/2" and 5/8" Standard
Others available upon request

Unique curved star wheel controls how far scraper paddles
can deflect, resulting in significantly longer paddle life.
(Most customers are seeing 30% increase in paddle life.)
Ductile cast iron.
Approximately 70 lbs per half.

Parts List		
ITEM	QTY	PART NUMBER
1	2	X3-TXX Large Star Machined Part
2	4	HHCS, Zinc, 5/8-11 x 4
3	8	FW, Zinc, 5/8"
4	4	LW, Zinc, 5/8"
5	4	NLN, Zinc, 5/8-11 UNC

2 3 4 5



General Tolerances:
x.x - +/- 1/32
x.xx - +/- 0.010
x.xxx - +/- 0.005
x.xxxx - +/- 0.0005



LORNIC DESIGN INCORPORATED

12613 JAMES STREET, SUITE 10
HOLLAND, MICHIGAN 49424
PHONE: 616-594-0355 FAX 616-582-5908

THIS DRAWING INCLUDING ALL DESIGNS AND INFORMATION CONTAINED OR
IMPLIED IS CONFIDENTIAL AND THE PROPERTY OF LORNIC DESIGN
INCORPORATED. IT MAY NOT BE USED OR REPRODUCED IN ANY MANNER
WITHOUT THE WRITTEN PERMISSION OF LORNIC DESIGN INCORPORATED
AND IT MUST BE RETURNED UPON REQUEST (c) 2004

RELEASE DATE:

RELEASED BY: NRH

Lornic Design
X3-TXX Star Wheel
Sales Sheet

FILE: X3-TXX-005 Large Star Assy Sales.idw
SHEET: 1 of 1 X3-TXX-005 Large Star Assy.iam

SIZE:
A

2

1