

AVION CAMPER COACH

Operation and Service Manual

Keep this book with your Avion at all times

AVION COACH CORPORATION

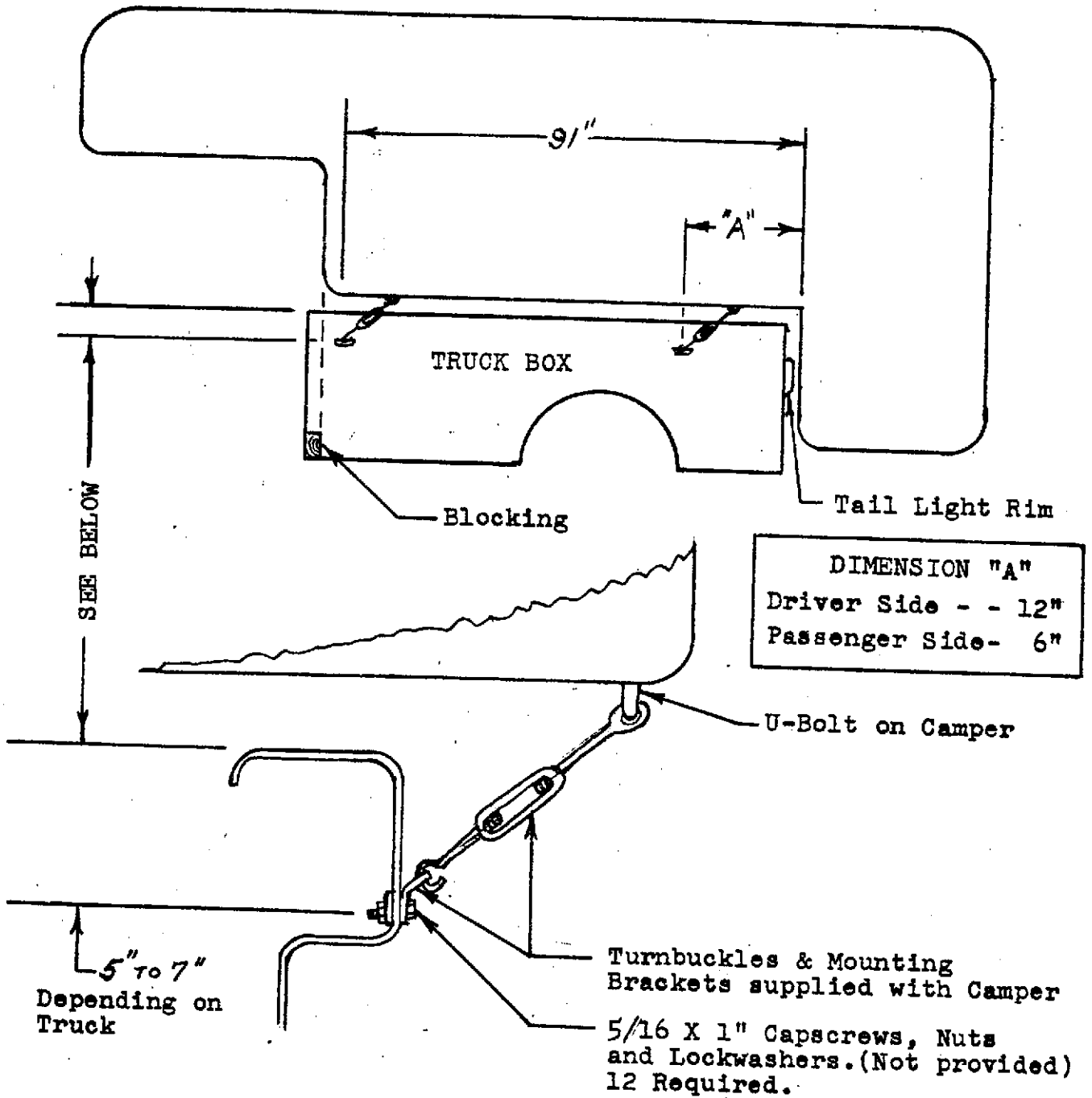
1300 E. Empire Avenue, Benton Harbor, Michigan 49022
39661 Esplanade Avenue, San Jacinto, California 92383

I M P O R T A N T

Form C-1

INSTRUCTIONS FOR APPLYING FASTENERS TO TRUCK

It is most important that your Avion Camper be secured properly to your truck. The Camper is provided with turnbuckle fasteners secured to the Camper. Below is a diagram which will guide you in locating and securing fasteners to your truck in the proper location.



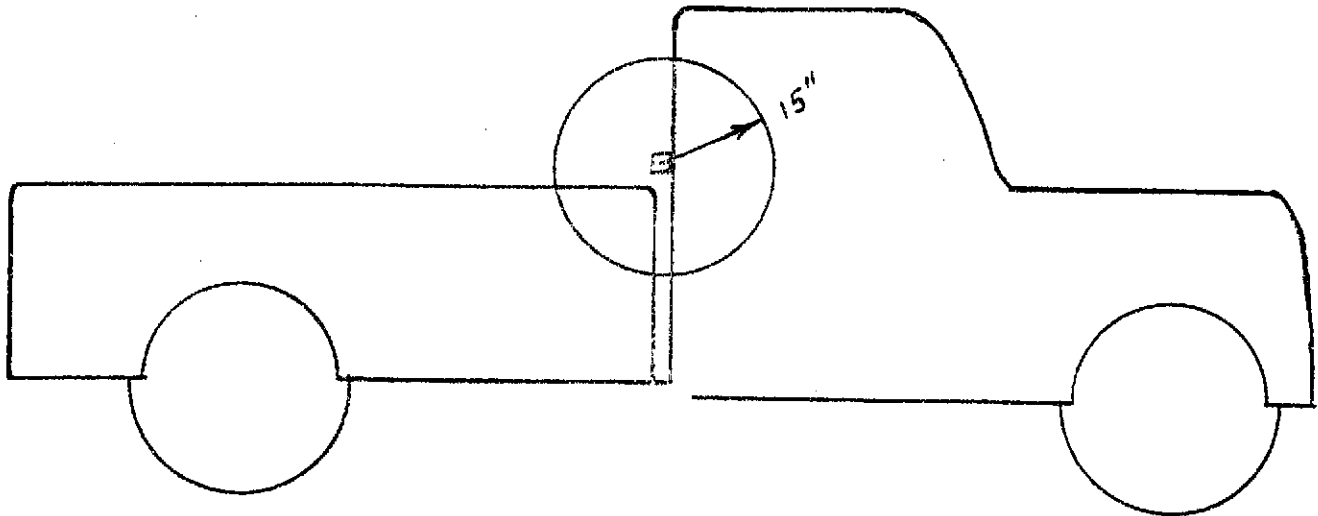
Please take special care to place blocking in the bed of truck so that the Camper, when placed forward against blocking, will clear tail lights by 1/2" or more.

IMPORTANT

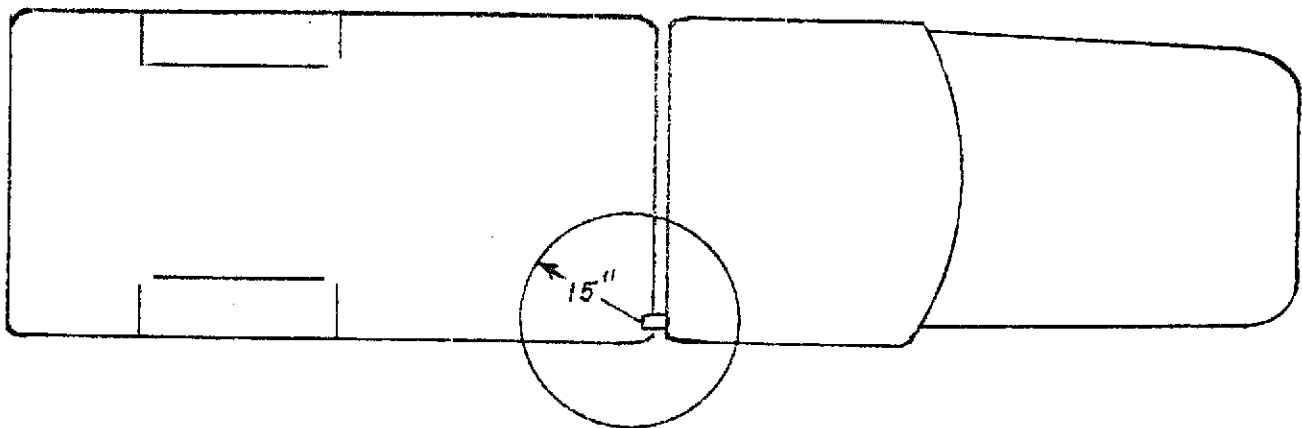
Form C-2

Instructions for wiring truck.

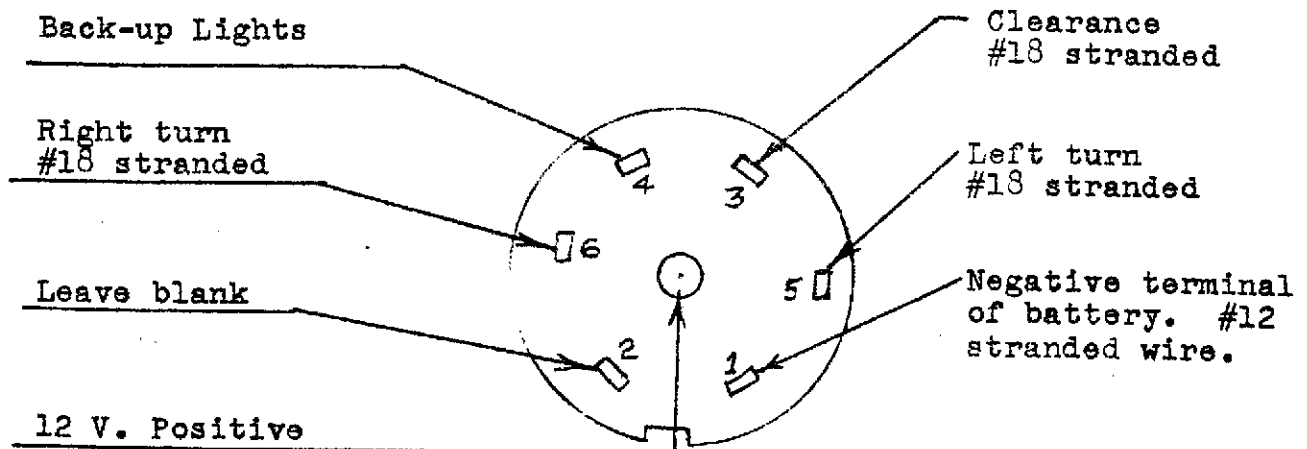
Below are drawings indicating the placement of the receptacle and the code to which the receptacle should be wired.



Fasten plug to truck somewhere within the area described by the circles.



Wire the terminals of the plug according to the diagram below:



I M P O R T A N T

INSTRUCTIONS FOR WINTERIZING CAMPER

1. Open the valve located on the floor at the right end of the water tank, the valve on the water heater and all faucets. Turn the shower divert handle to the open position so that water will drain from the flexible hose. This may be done with camper on or off of the truck. When water has stopped draining from all openings, disconnect the outlet hose (the hose closest to cab or truck) from the pump and turn pump on. Allow to run until small amount of water in the pump is expelled. (Running the pump dry will not harm it.) Turn pump off and wipe up the water with a cloth or sponge.
2. Depress toilet foot pedal to drain bowl.
3. Use suction pump to remove water from traps, or pour about one cup of any Ethylene Glycol type anti-freeze in each of the three traps--one in the kitchen sink, one in the bathroom sink and one in the shower base. Use caution to avoid spilling the solution on plastic surfaces where discoloration may occur. DO NOT use an alcohol base anti-freeze.
4. Drain waste holding tank.
5. If your camper is equipped with a water purifier, remove the filter pack and drain the container. You may save the pack for re-installing. Care should be taken to keep it clean.
6. If it is practical to remove the battery, store in a warm place during freezing weather. If the battery is kept in the camper, be sure it has a full charge to prevent freezing.

GENERAL PROCEDURE FOR "HOOKING UP" FOR A TRIP

1. At any time the weight of the camper is placed on the tripods, make sure the tripods are slid all the way up on the jack leg until camper weight is supported by tripods and jacks.
2. Lift camper on jacks high enough to back truck under, allowing plenty of area in front so as to get a straight shot at the camper with the truck. It is extremely difficult to back the truck under unless you can get directly in front of the camper.
3. Back the truck under until lower front edge of camper butts against spacer block, which you must be sure the wings of the camper do not touch tail lights.
4. Lower the camper into place using the special wrench provided. Remove one of the two bolts holding the jack plate to the mounting plate and loosen the other. Which to remove and which to loosen will be a matter of experimenting since there are several variations, depending on the model. Withdraw the jack to its shortest position. Swing it upward and then extend it into the ring provided as a holder. Tighten the pivot bolt and replace and tighten into place the bolt that was removed. Pick up the three tripods and store them in the camper if you expect to unload the camper on the trip or leave them home if you do not expect to use them until you return.
5. Again, making sure camper is butting against the block at the front corner with clearance back of tail lights, fasten the turnbuckles, which are part of the camper, to the fasteners on your truck. You should not attempt to slide the camper forward with the turnbuckles. Tighten the turnbuckles by hand. Do not use a wrench for they should not be tightened that tightly. Run a wire through the barrel of the turnbuckle and through one eye of the turnbuckle and twist together. This will keep the barrel of the turnbuckle from turning loose. After several miles it is advisable to check the turnbuckles because it is a natural tendency for the camper to work forward.
6. When packing the camper for a trip it is good practice to place heavier articles on the floor and forward as far as possible. Do not place breakable items on the beds for they may bounce off onto the floor. You might place towels around certain items in the refrigerator so that they will not move about or fall over.
7. Connect electrical plug on camper to plug on truck, again being sure that the polarity of the truck battery and camper battery are the same. Sparking or arcing is an indication of crossed polarity and the plugs should be disconnected immediately so as not to burn up the wires. If the polarity is not matched change the wires to the terminals of the camper battery. Check clearance lights, stop lights and turn signals.

CARE OF THE EXTERIOR

If you should travel with your camper on roads that were chlorided or salted to melt ice, it is suggested that the chloride be washed off of the camper as soon as possible.

A very light wiping with a soft cloth with a straight back and forth motion while hosing will remove the chloride, which if left on might cause discoloration.

The use of a mild soap or detergent will aid in the removal of road film. Never use a strong alkali or abrasive.

The sealer for all exterior seams of your Avion carries the brand name of Ten-X ((Mfd. by Electro Cote Company, Minneapolis, Minnesota) and can be purchased from most trailer dealers and automotive supply stores.

Exterior seams should be examined periodically for holes or shrinkage of the sealer caused from long exposure to the elements.

CAMPER INTERIOR

The interior walls of the coach are covered with vinyl. They may be cleaned by washing with a mild soap or detergent and water. DO NOT use an abrasive cleaner or a solvent as it may damage the vinyl or dull the finish.

The Shower Base and Lavatory are molded plastic. They should have the same care as the interior walls.

The Cabinets and Woodwork deserve the same care as the furniture in your home. A furniture wax or polish will aid in maintaining the fine factory finish.

The Windows are Plexiglass acrylic plastic, providing outstanding resistance to breaking. They are tinted to filter out heat and afford privacy. These windows should be dusted and cleaned with a damp cloth or chamois, wiping the surface gently. Wash with a mild soap or detergent and water. Use as much water as possible, applying with a clean soft cloth, sponge or chamois. The best method of drying is with a clean damp chamois.

Your Plexiglass windows may be protected with a good grade of commercial wax. Apply and bring it to a high polish by rubbing with a soft dry cloth.

To remove or reduce minor scratches, hand polish with a small cloth or pad dampened in water. Deep scratches may be removed by sanding with a very fine sandpaper, keeping wet while sanding. Use a 320 or 400 grade sandpaper. Buff with a fine abrasive after sanding and then polish to a high gloss with wax.

INTERIOR
(continued)

Removal of the screen is accomplished by pushing upward on the screen frame until it clears the bottom channel. It can then be pulled out from the bottom and removed.

Optional Storm Sash may be installed without removal of the screens. Small clips around the inner frame are used to secure the storm sash in place.

SPACE HEATER

The wall furnace in your camper is a Duo-Therm model 15RVX, 15,000 btu and is manufactured by Motor Wheel Corporation, LaGrange, Indiana. A complete list of service centers for this furnace will be found in the back of this booklet.

REFRIGERATOR

The refrigerator in your camper is a Dometic, Model M28, gas/electric combination. Lighting instructions will be found attached to the removable kick plate below the door. It is very important that the refrigerator be level for proper operation.

For service or parts you may contact Instamatic Corporation, 530 McDonald Street, Elkhart, Indiana, Telephone 219 JA21607.

RANGE

The range in your Avion pickup camper is a Holiday, Model 750-5TRSG. It is equipped with safety catch on the burner controls. The burner control must be pushed inward and rotated left or counter clockwise to turn gas on. Light by holding a match near the burner as you open the valve.

Service information or parts may be obtained from Sattler Manufacturing Company, 9313 Sorenson Ave., Santa Fe Springs, California 90670, Telephone Overbrook 57930.

WATER HEATER

The water heater in your camper is a Mobil Temp G-600. Lighting instructions are on the outside of the panel which provides access to the burner.

Service information or parts may be obtained from Mobil Temp Inc., 11871 East Grand River Rd., P.O. Box 100, Brighton, Michigan 48116.

TOILET

The toilet in your Avion Camper is manufactured and distributed by Thetford Engineering Products, 6539 Jackson Road, P.O. Box 1285, Ann Arbor, Michigan 48103. The model number is 02400B. You will find an operations and parts list in the back of this book.

For service contact either of the above listed parties or the Avion Service Corporation, 1576 E. Empire Ave., Benton Harbor, Michigan.

WATER PURIFIER

If your camper is equipped with an Ogden water purifier it will be located to the left in back of the kitchen sink. This purifier is designed to remove harmful bacteria, odor, and impurities from your drinking water. The filter should be changed when the water begins to run slowly from the filter unit.

The replacement packs #SM1 are available direct from Western Ogden Purifier Co. at 7906 Santa Monica Blvd., Hollywood, California or from the Avion Service Corporation.

WASTE HOLDING TANK

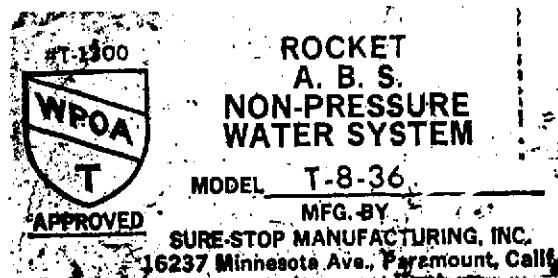
If your camper is equipped with a waste holding tank, it will retain the waste from the toilet only when the valve is closed. The water from your sinks and shower do not enter the waste holding tank.

The valve for the tank is located directly under the toilet outside the camper. The valve handle is in the recess at the right of the valve. Twist handle to left and pull the handle out about 4" to empty the tank.

If the sewer outlet cap is left in place when the water is emptied into the sinks the water will back up into the shower pan. The same will occur if the holding tank valve is opened with the outlet cap in place.

12 VOLT WATER PUMP

Your camper is equipped with a water pump for the water system and will be located in front right end of the water tank.



WARRANTY INFORMATION

Service, repairs and parts for your Avion Camper may be obtained through any of the many Avion dealers across the country, or from Avion Coach Corporation at either of the addresses listed below:

Avion Service Corporation	Avion Coach Corporation
1576 E. Empire Avenue	39661 Esplanade Ave. Box 457
Benton Harbor, Mich. 49022	San Jacinto, Calif. 92383
Telephone - 616 927 2271	Telephone - 654 3711
	or 654 3712

The Avion Service Corporation and the service department of the California plant are able to perform virtually any of the service work in accordance with our suppliers warranty.

These service centers operate on an appointment basis only. For a service or repair appointment call or write either of the above addresses.

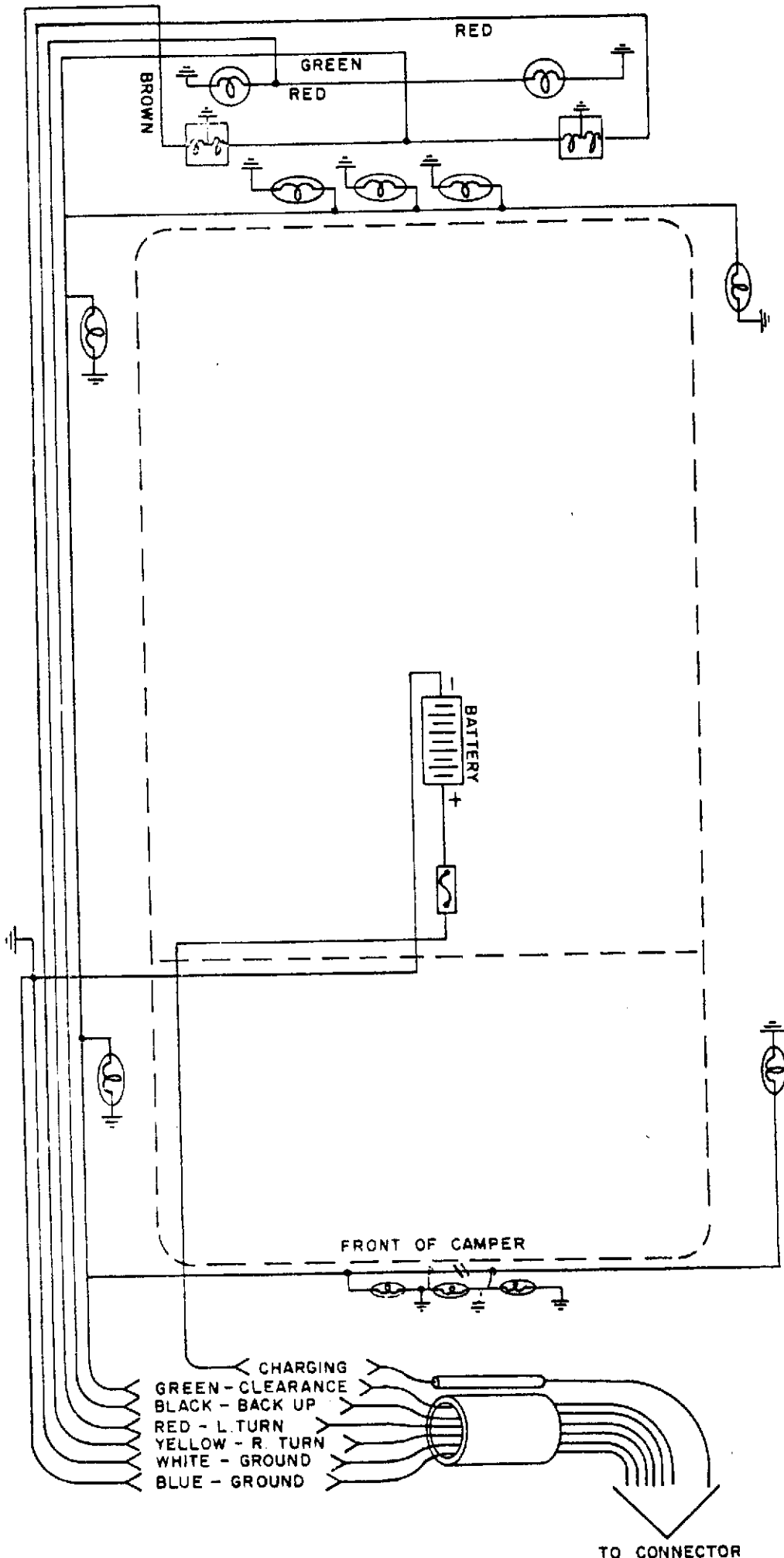
For service work under the warranty obtained outside the service centers listed above it will be necessary to obtain authorization in advance from one of the factory service centers.

* * * * *

Warranty service and parts for many components that are manufactured by Avion suppliers may be obtained direct. In this section you will find warranty information provided by the suppliers, parts lists and lists of addresses of service centers and factories where suppliers have arranged to provide service for Avion Camper owners.

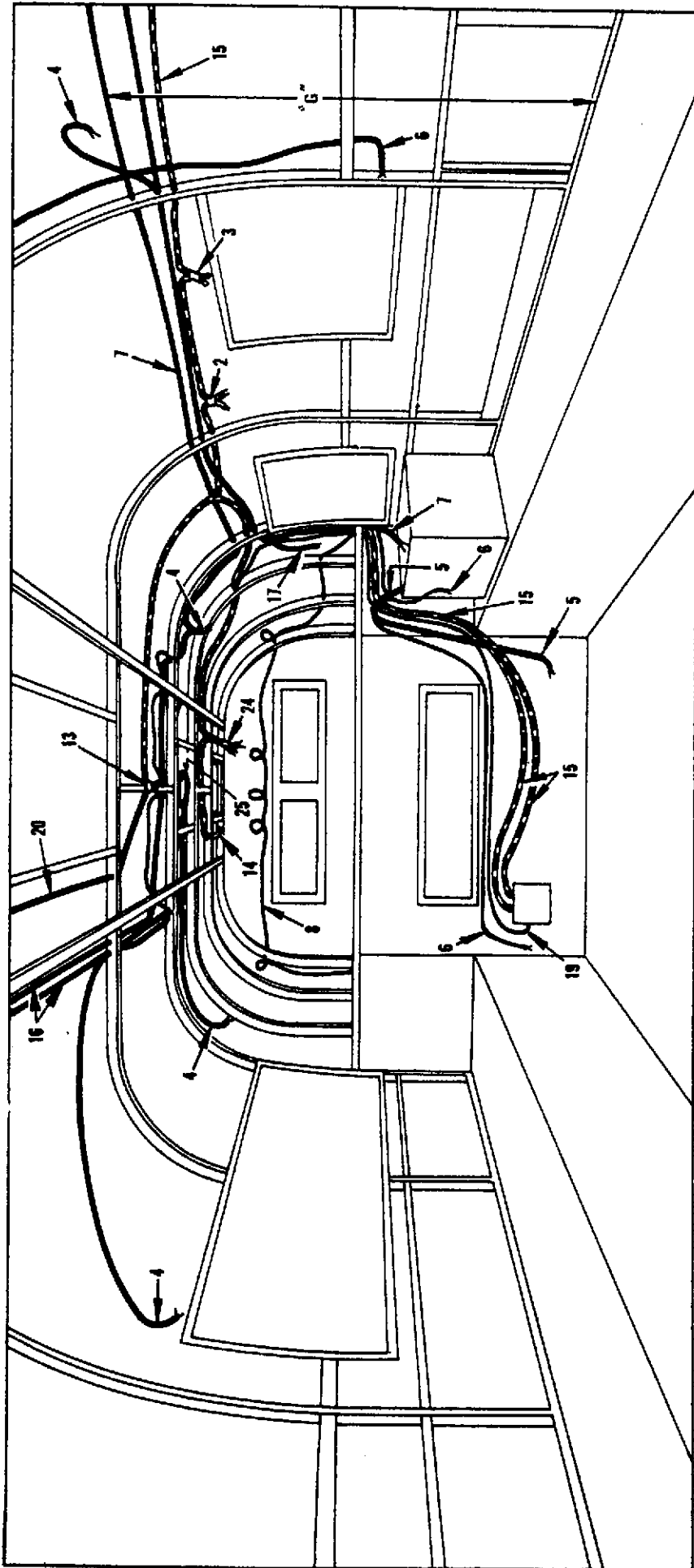
12 VOLT EXTERIOR WIRING DIAGRAM

1968 AVION CAMPER & 1969



AVION COACH CORPORATION
 1300 East Empire Avenue • Benton Harbor, Michigan 49022

1968 AVION CAMPER WIRING ILLUSTRATION



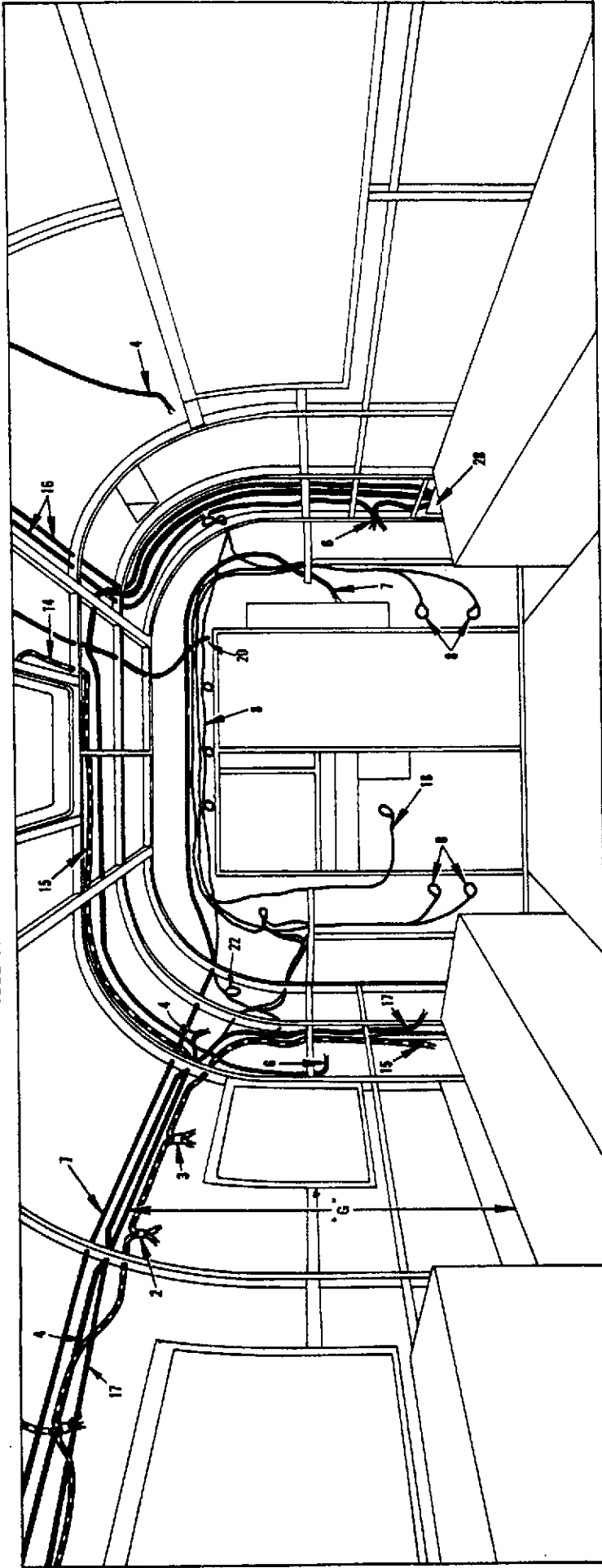
LETTERED DIMENSION CODE						
A	B	C	D	E	F	G
66"	22"	57"	14"	13"	10"	54"

AVION COACH CORPORATION
 188 East Empire Avenue • Easton Harbor, Michigan 48822

Front View

- 1. 12 V. Oven Light
- 2. 12 V. Range Hood
- 3. 12 V. Counter Lt.
- 4. Stereo Speaker
- 5. Water Pump Switch
- 6. 110 V. Outlet
- 7. T.V. Antenna Lead
- 8. Exterior Lights
- 9. Radio Antenna
- 10. 12 V. Pump
- 11. 12 V. Stereo
- 12. Hi Intensity Light
- 13. Ceiling Light
- 14. Roof Fan
- 15. 12 V. Line
- 16. 110 V. Line
- 17. Furnace Thermostat
- 18. Porch Light
- 19. 12 V. Charging
- 20. Switch
- 21. Bathroom Fan
- 22. Bathroom Light
- 23. Ground
- 24. 12 V. Bedroom Light
- 25. Air Conditioning
- 26. Back Up Coil
- 27. Center Side Marker
- 28. Entrance Box

1968 AVION CAMPER WIRING ILLUSTRATION



Rear View

LETTERED DIMENSION CODE						
A	B	C	D	E	F	G
66"	22"	57"	14"	13"	10"	54"

12 V. Line

- 22. Bathroom Light
- 23. Ground
- 24. 12 V. Bedroom Light
- 25. Air Conditioning
- 26. Back Up Coil
- 27. Center Side Marker
- 28. Entrance Box

- 15. 12 V. Line
- 16. 110 V. Line
- 17. Furnace Thermostat
- 18. Porch Light
- 19. 12 V. Charging Switch
- 20. Bathroom Fan

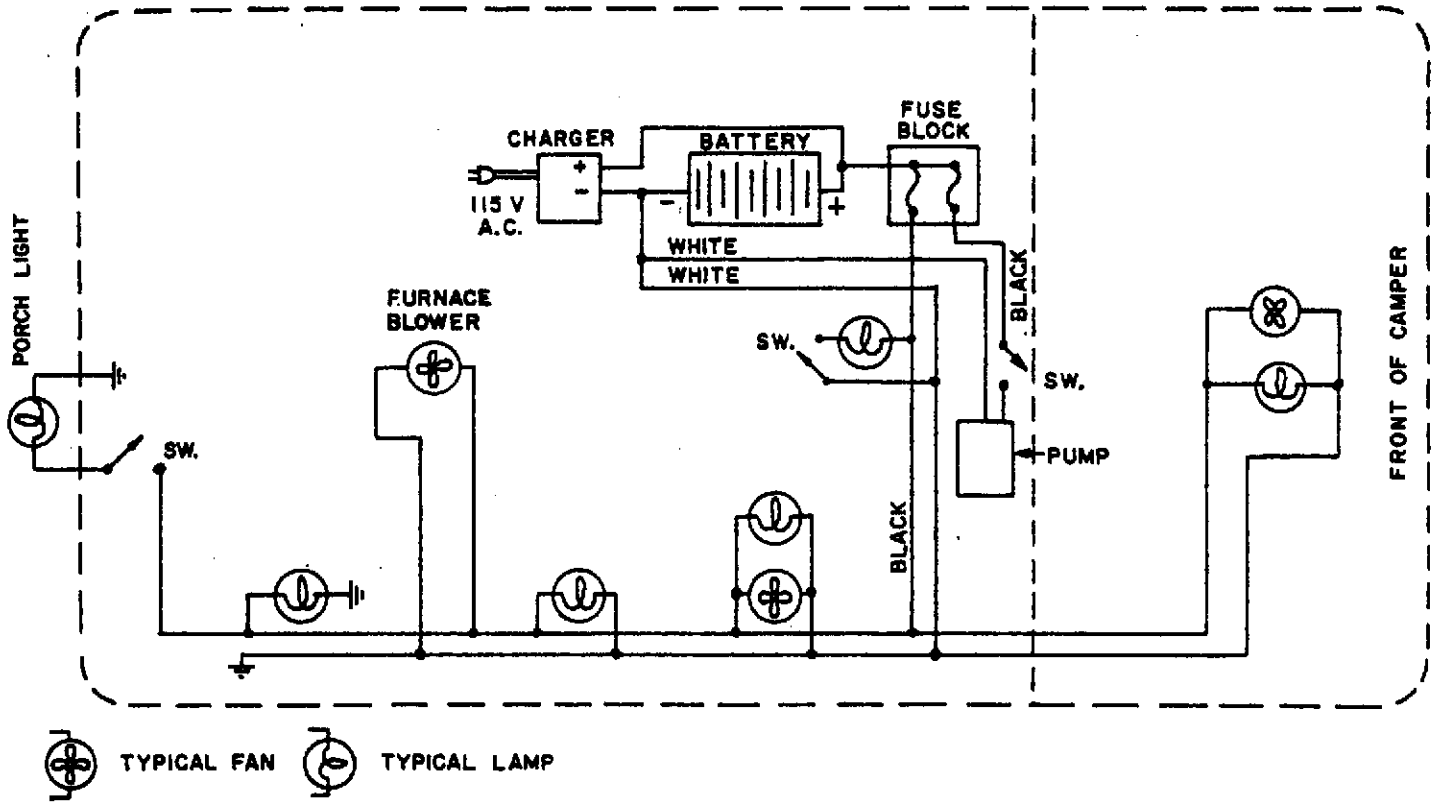
- 8. Exterior Lights
- 9. Radio Antenna
- 10. 12 V. Pump
- 11. 12 V. Stereo
- 12. Hi Intensity Light
- 13. Ceiling Light
- 14. Roof Fan

- 1. 12 V. Oven Light
- 2. 12 V. Range Hood
- 3. 12 V. Counter Lt.
- 4. Stereo Speaker
- 5. Water Pump Switch
- 6. 110 V. Outlet
- 7. T.V. Antenna Lead

AVION COACH CORPORATION
1300 East Empire Avenue • Pontiac, Michigan 48032

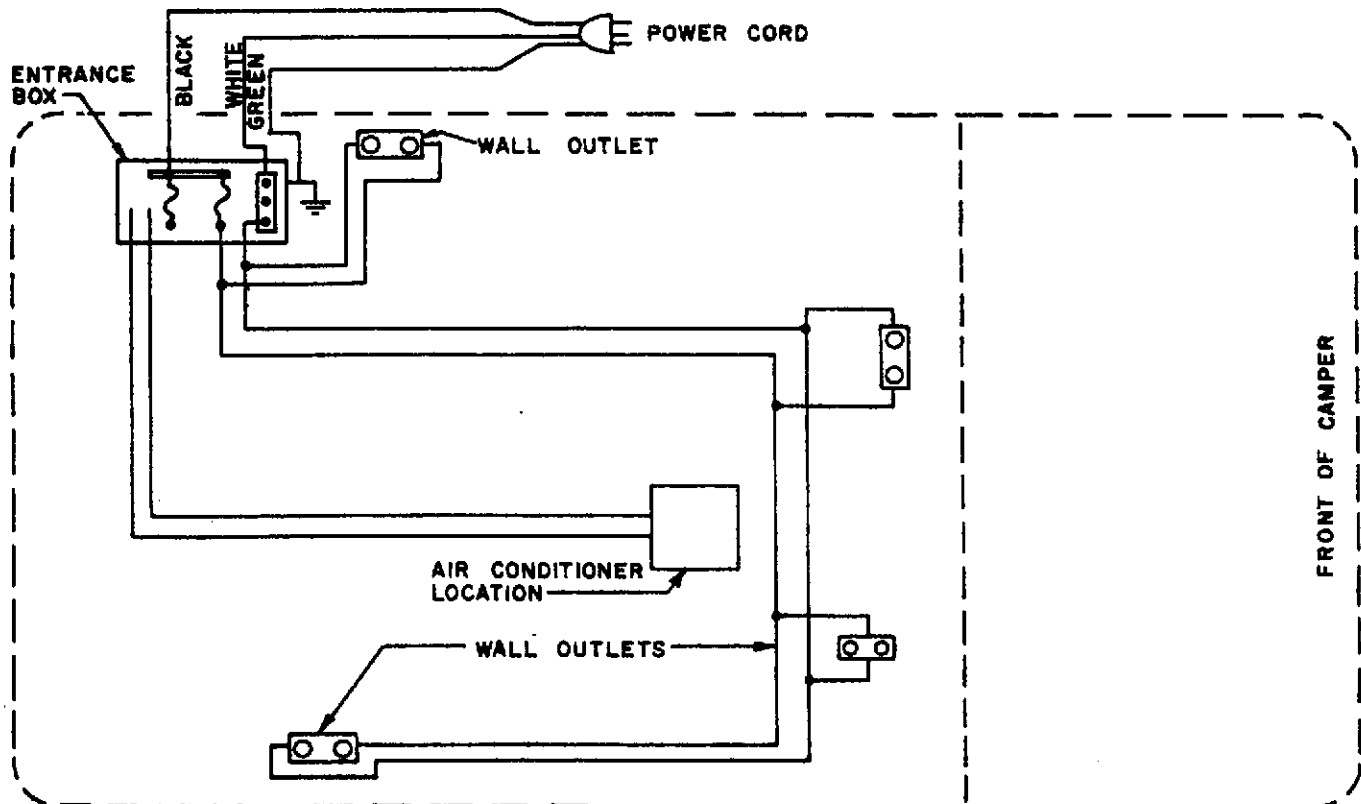
1968 AVION CAMPER

12 VOLT INTERIOR WIRING DIAGRAM



1968 AVION CAMPER

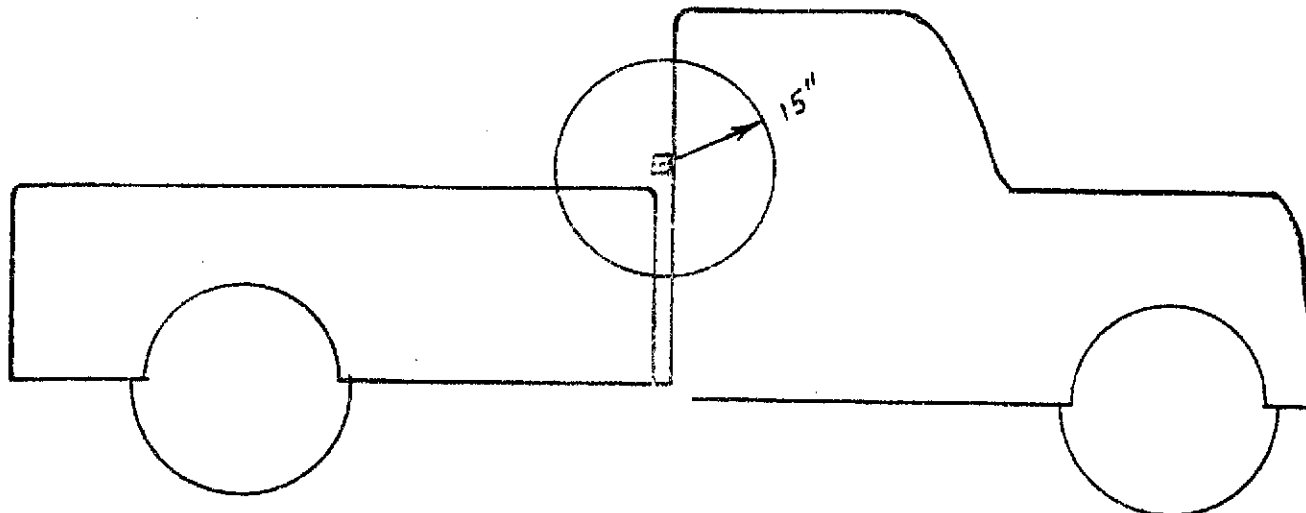
115 VOLT INTERIOR WIRING DIAGRAM



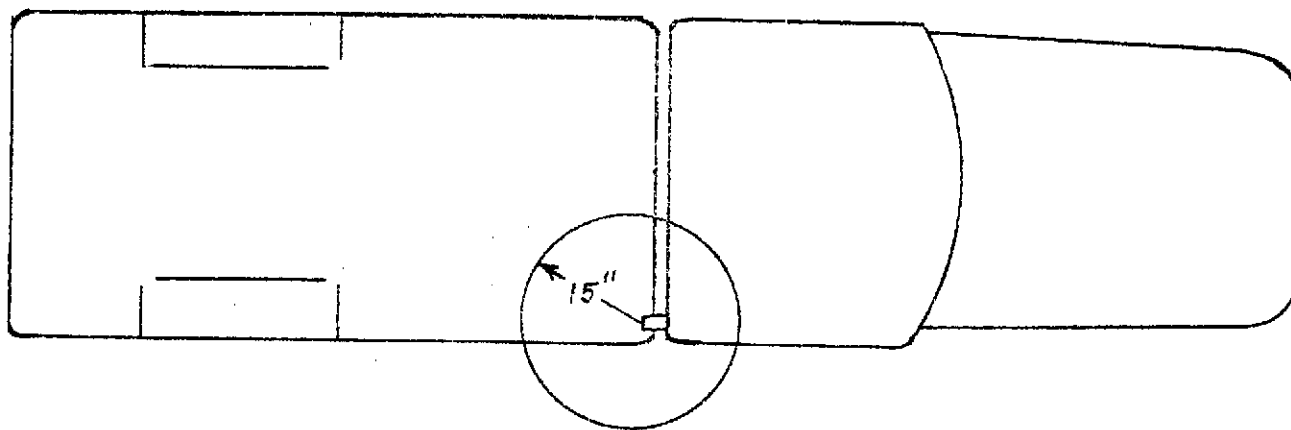
IMPORTANT

Instructions for wiring truck.

Below are drawings indicating the placement of the receptacle and the code to which the receptacle should be wired.



Fasten plug to truck somewhere within the area described by the circles.



Wire the terminals of the plug according to the diagram below:

