



INSTALLATION, OPERATION AND MAINTENANCE INSTRUCTIONS FLAP VALVE

INSTALLATION RECOMMENDATIONS FLAP VALVES

HANDLING AND STORAGE

1. Only qualified staff should handle the Flap Valves.
2. Units are typically delivered assembled, however if required each section will be labeled with the Tag Reference Number.
3. Flap Valves should be stored in a horizontal position on a flat floor.
4. Always avoid point loading to any part of the Flap Valves.

INSTALLATION

Pre Installation Check List:

1. Only qualified staff should perform the installation of the unit.
2. Always check all dimensions. Furthermore check if the surface is level, parallel, even and smooth. Correct any deviation; contact Ross for any specific project assistance.
3. Always check if the seals are in good condition.
4. For wall mounted Flap Valves, read the instructions in the chemical anchor literature for specific recommendations.
5. Always reference project drawings, for instructions and requirements.
6. Always check local laws and wear all required P.P.E and preferably also suggested P.P.E.

INSTALLATION SEQUENCE:

Prior to commencing installation, check appropriate drawings and make sure that there are no obvious obstructions on the installation surface.

Channel Mounted Frame Location

1. Support the unit in its required position, relative to the flow, matching the tagged inlet flange to the inlet flow.
2. Locate the unit in its correct final position by wedging the frame by using jacks and packing pieces, of suitable thickness. Carefully check for plumb and level in all directions and check that the invert to coping dimension is correct.

Wall Mounted Frame Location Using Anchor Bolts

1. Supporting the frame along the whole of its bottom cross member, or by hanging from a crane, present the unit to its required position.
2. Using the frame as a template, drill holes to accept the anchor bolts specified.
3. Insert the top two anchor bolts. Tighten the bolts sufficiently to hold the frame in position.
4. Insert the remaining anchor bolts and locate the frame in its correct final position. Carefully check for plumb and level in all directions and check that the invert to coping dimensions is correct.
5. Having checked for plumb, correct level, alignment, and location finally tighten all bolts securely to ensure no movement of the frame during grouting.



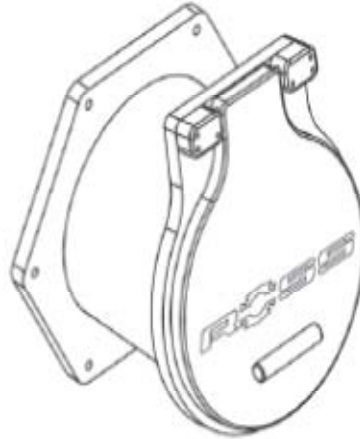
Installation Possibilities:

HDPE FLAP VALVES

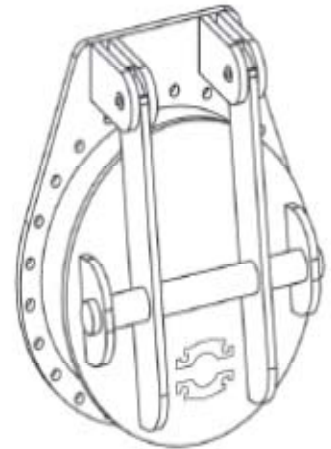
**70HFV
STANDARD BASE**



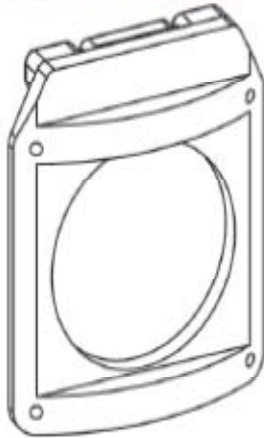
**70HFV-A
ANGLED BASE**



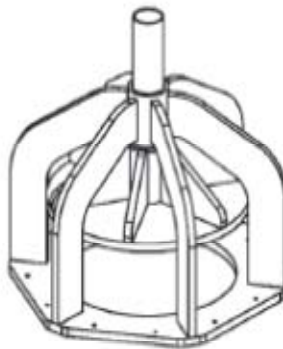
**70HFV-A-R
ANGLED AND REINFORCED**



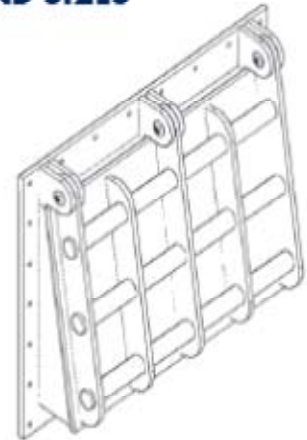
**70HFV-C
CONTOURED BASE**



**70HFV-F
FLOOR MOUNT**



**CUSTOM SHAPES
AND SIZES**





Operation

1. Installation should be performed by either a Ross service technician or qualified staff from the customer. It is mandatory the flap valve is leveled, balanced and fully wall mounted or flange mounted. If not installed properly do not allow operation of the flap valve.
2. Standard commissioned HDPE flap valves are self-closing based upon gravitation combined with pressure difference.
3. Special commissioned side hung HDPE flap valves are in addition self-closing based upon buoyancy tanks. By adjusting the stem the buoyancy level is adjusted to preferred level.

Maintenance

1. Maintenance should be performed by qualified staff only.
2. The frequency of maintenance and inspection must be based upon the specific requirements of installation.

General Instructions Are:

1. Check on accumulation of debris at least every six (6) months
2. Check on the sealing at least every twelve (12) months
3. Clean the unit by hosing down to remove any sort of debris
4. Check tightness of the anchors
5. Do not grease any part of the unit unless otherwise instructed.

Health and Safety

1. The unit has been designed to ensure safe operation with the purpose for which it is intended. To ensure safety in operation these instructions should always be read by qualified staff before operation or maintaining the unit.