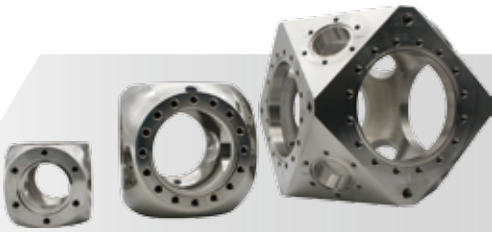


Cubic Chambers

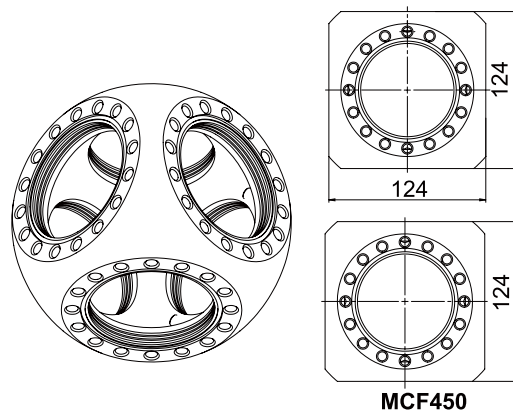


FERMI INSTRUMENTS offers Cubic Chambers to where there are spatial/ weight constraints or where a high density of experimental apparatus is required.

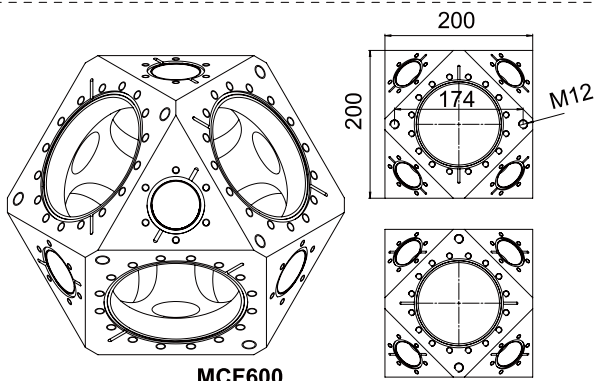
With chamber manufactured from one piece of metal, cubic chambers improve UHV performance with highly polished surface, contoured interior and minimal weld.

Specification

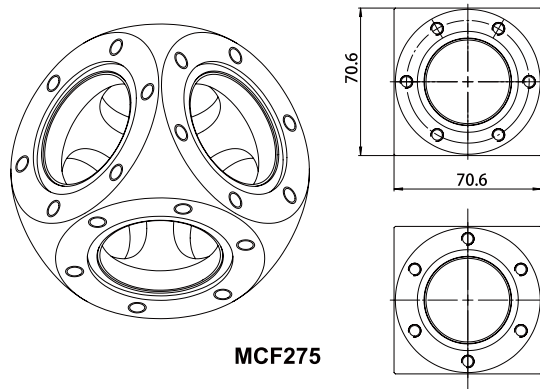
- ✓ Making from one piece of SS316
- ✓ No welding
- ✓ Ultimate Vacuum: 1×10^{-13} mbar
- ✓ Max bakeout Temperature: 250°C



MCF450



MCF600



MCF275

	MCF275	MCF450	MCF600
70mm(2.75")CF Flange	*6		*8
114mm(4.50")CF Flange		*6	
152mm(6.00")CF Flange			*6