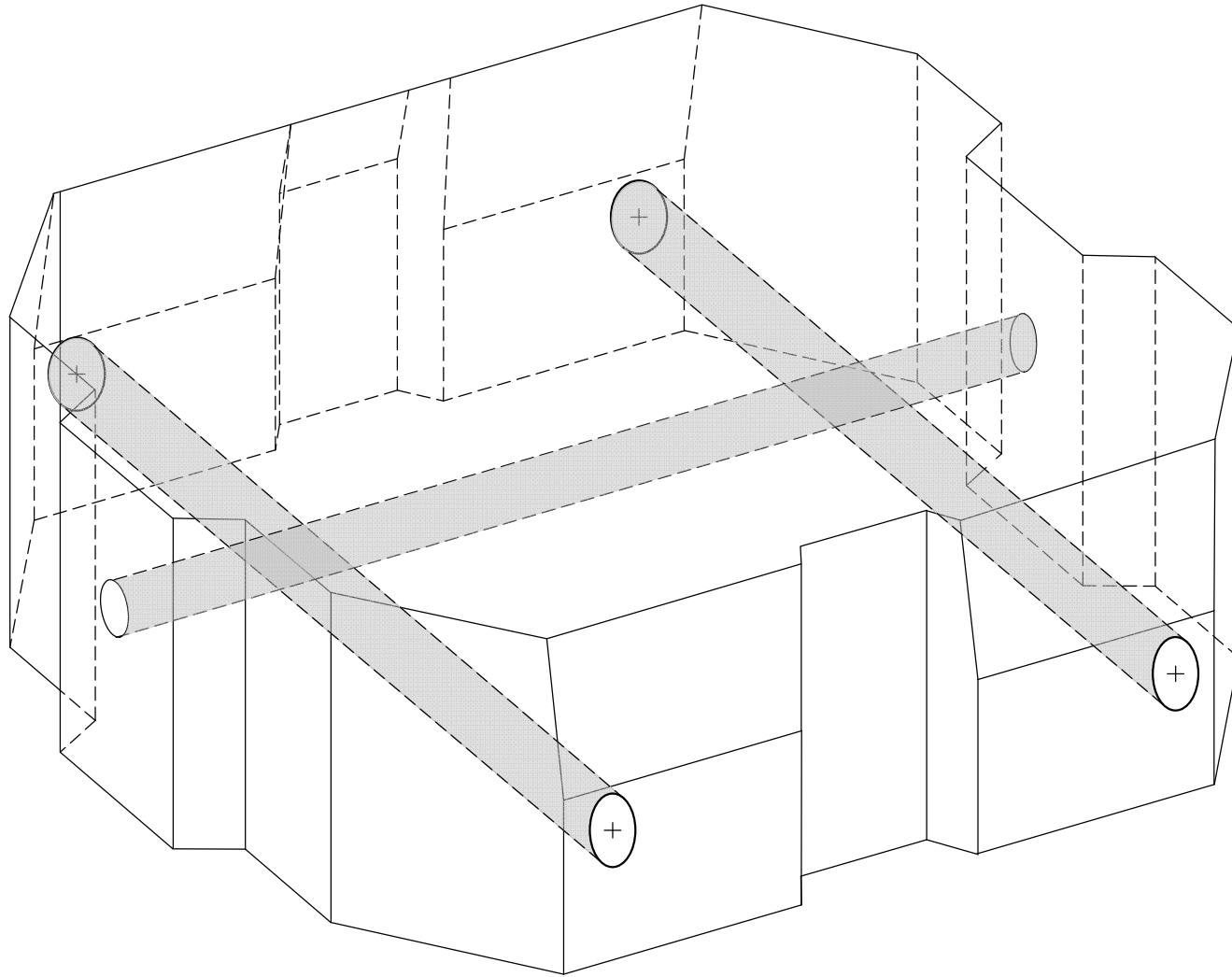


# RevetBlok™ I R-51616-7 Male Block



RevetBlok™ I R51616-7  
Closed Cell

Unit 71lbs. - 76lbs  
Sq. Ft. 40lbs. - 44lbs

Open Area 7%

Coverage Area 1.78 Sq. Ft.

## NOTES

Mattress construction requires a Female RevetBlok™ on each row to allow the horizontal cable to be connected to the adjacent mattress.

## TECHNICAL SPECIFICATIONS

The RevetBlok is manufactured in accordance with ASTM 90 and C140.

- 1 - RevetBlok R-51616-7 Unit Weight is 71 - 76 lbs.
- 2 - Minimum Compressive Strength 4,000 psi.
- 3 - Maximum Absorption 5%.
- 4 - Dimensional Tolerance +/- 1/8".

### RUDLOFF EROSION

1005 Farmers Rd  
Brenham, TX 77833  
800-259-3178 Fax: 979-830-1040  
www.rudlofferosion.com

RevetBlok R-51616-7

Project Name:

Date:

06-27-19

Revisions:

Ver. 03

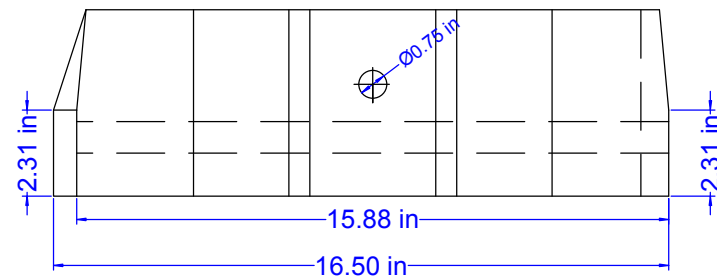
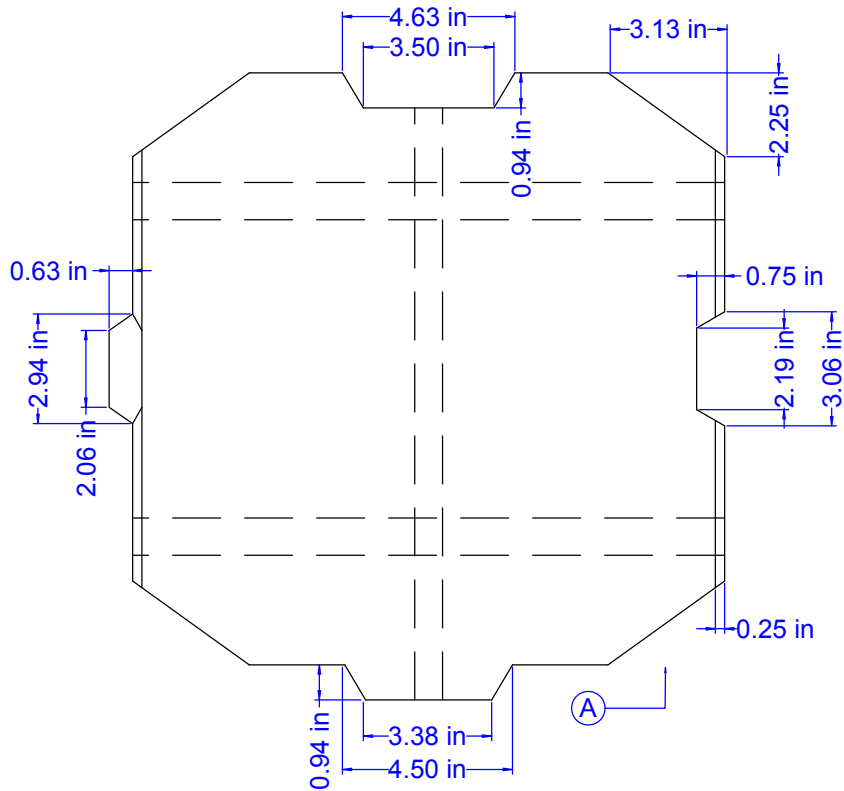
Drawing Name:

Block Details

Scale

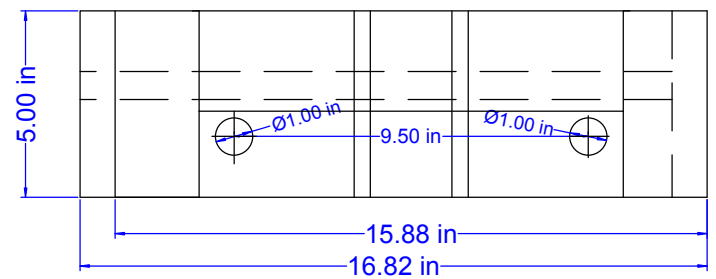
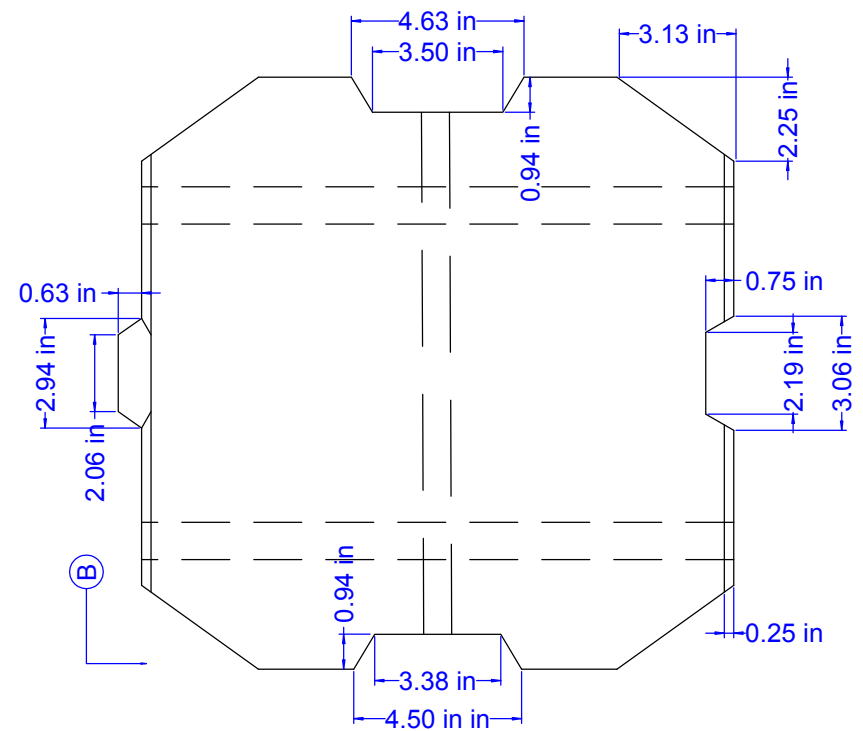
Not To Scale

RevetBlok™ | R-51616-7 Male Block



Section A

RevetBlok™ | R-51616-7 Female Block



Section B

**NOTES**

Mattress construction requires a Female RevetBlok™ on each row to allow the horizontal cable to be connected to the adjacent mattress.

**TECHNICAL SPECIFICATIONS**

The RevetBlok is manufactured in accordance with ASTM 90 and C140.

- 1 - RevetBlok R-51616-7 Unit Weight is 71 - 76 lbs.
- 2 - Minimum Compressive Strength 4,000 psi.
- 3 - Maximum Absorption 5%.
- 4 - Dimensional Tolerance +/- 1/8".

**RUDLOFF EROSION**

1005 Farmers Rd  
Brenham, TX 77833  
800-259-3178 Fax: 979-830-1040  
www.rudlofferosion.com

RevetBlok R-51616-7

Project Name:

Date:

06-27-19

Drawing Name:

Block Details

Revisions:

Ver. 03

Scale

Not To Scale