

Model BFH Series – High Pressure Bag Filter Housings



Model BFH Series High Pressure Bag Filter Housings

Heavy-duty, cost-effective filter housings suitable for pressure up to 200 psi and flow rate up to 200 gpm

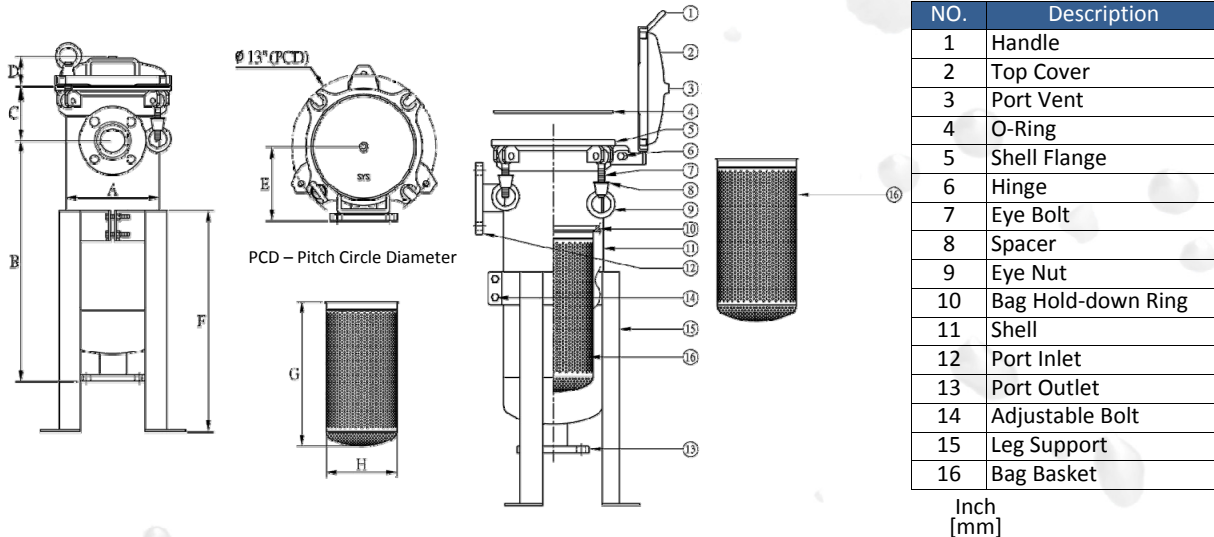
Description

Product:	Model BFH Series—High Pressure Bag Filter Housings
Applications:	High-pressure applications
Configuration:	Single bag
Material of Construction:	Stainless steel construction (SS304, SS316, SS316L); Heavy duty investment-case components
Inlet Outlet Connections:	1”-3” (NPT, ANSI 150 flange)
Flow Rate:	Up to 200 gpm
Max. Pressure:	200 psi
Temperature:	210 °F
Surface finish:	Electropolished
Closure Mechanism:	Eyebolt closure; hinged cover
Seal type:	O-Ring (BUNA, EPDM, VITON, PTFE encapsulate VITON)
Bag Size:	NO. 1, 2, 3 and 4
Bag Basket:	Stainless steel bag basket (SS304, SS316, SS316L)
Leg Support:	Stainless steel (SS304); height adjustable
Inlet outlet position:	Side or bottom outlet available
Customizations:	Other connection sizes and standards (JIS, DIN) are available; Flat cover option available
Recommended Spare Parts:	O-Rings, Bag Baskets, Bag Hold-down Rings, Leg Support
Accessories:	Bag Positioners, Displacement Balloons



Model BFH Series – High Pressure Bag Filter Housings

Dimensions



Bag Size	Flow Size	Flow GPM	Dimensions							Weight LBs	Volume Gal
			A	B	C	D	E	F	G		
01	90	8-1/2 [216]	21-1/2 [550]	4-3/4 [125]	2-1/2 [65]	6-1/2 [168]	19-3/4 [504]	13-1/2 [350]	6-1/2 [172]	46	7.1
02	200	8-1/2 [216]	36-1/2 [930]	4-3/4 [125]	2-1/2 [65]	6-1/2 [168]	27-1/2 [704]	28-1/2 [730]	6-1/2 [172]	57	12.2
03	20	5-1/2 [140]	13-1/2 [350]	4 [105]	1-1/2 [40]	5-1/4 [135]	13-1/2 [350]	7-3/4 [200]	3-3/4 [97]	31	2.9
04	45	5-1/2 [140]	17-1/2 [450]	4 [105]	1-1/2 [40]	5-1/4 [135]	13-1/2 [350]	12 [310]	3-3/4 [97]	33	3.7

All dimensions are nominal and rounded to 1/4" in the format of inch[mm]

How to order

Product Codes						
BFH-	B-	O2-	A-	200-	O10-	200-
	Material	Bag Size	Connection Type	Pressure Rating	Connection Size	Flow Rate
	A-SS304 B-SS316 C-SS316L	01-No. 1 02-No. 2 03-No. 3 04-No. 4	A-ANSI 150 Flange N-NPT	200-200psi	010-1" 030-3"	020-20 gpm 045-45 090-90 200-200

Example: BFH-B-02-A-200-010-200-E-N

Product Codes (Continued)	
E -	N
O-Ring	ASME Code
B-BUNA E-EPDM V-VITON P-PTFE W/VITON	N-No A-YES, No Stamps AU-YES, "U" Stamp

Accessory Codes & Spare Parts Codes				
BFH	A-	B-	O2-	BP
	Category	Material	Bag Size	Type
	A-Accessory B-Spare Parts	A-SS304 B-SS316 C-SS316L	01-No. 1 02-No. 2 03-No. 3 04-No. 4	BP -Bag Positioner DB-Displacement Balloon BK -Bag Basket BR -Bag Hold-down Ring LS -Leg Support
		B-BUNA E-EPDM V-VITON P-PTFE W/VITON		OR-O-Ring

Example:BFHA-B-02-BP