

Farenhyt

Converts a conventional smoke loop to an SLC loop.

SD500-SDM

Two-Wire Smoke Module

The SD500-SDM allows you to assign an address to a loop of conventional detection devices. These devices can be dry contacts such as pull stations and heat detectors, or 2-wire smoke detectors. This means you can retrofit an existing building and utilize existing conventional devices. The SD500-SDM uses a 24VDC auxiliary power input to power the conventional loop, and is connected to the SLC loop via two wires. The conventional loop can be configured as Class A or Class B giving you the flexibility to handle any job.

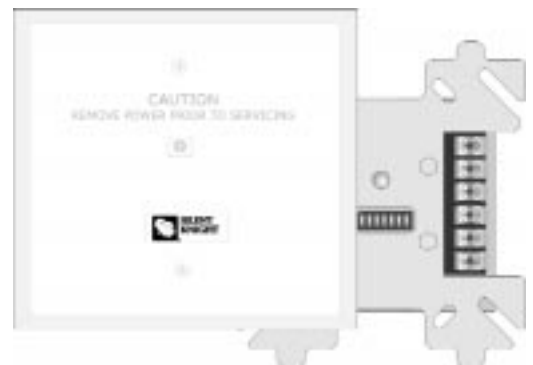
Features

- Converts a conventional two-wire loop to an SLC loop
- Fully supervised
- Compatible with Class B (Style 4) and Class A (Style 6) loops
- Listed for use with most major two-wire detectors
- UL Listed

Specifications

Operating Voltage:	
SLC:	32 VDC
Aux Power:	24 VDC
Aux. Power Current:	
Standby:	20 mA
Alarm:	106 mA
SLC Current:	
Alarm/Standby:	.55 mA
Max. SLC Loop Resistance:	50Ω
Max. 2-Wire Conventional Smoke Loop Resistance:	50Ω
Dimensions:	
Length:	4-7/8"
Width:	4-7/8"
Depth:	7/8"
Operating Temperature:	32°F to 120°F (0°C to 49°C)
Humidity:	10 to 85% RH

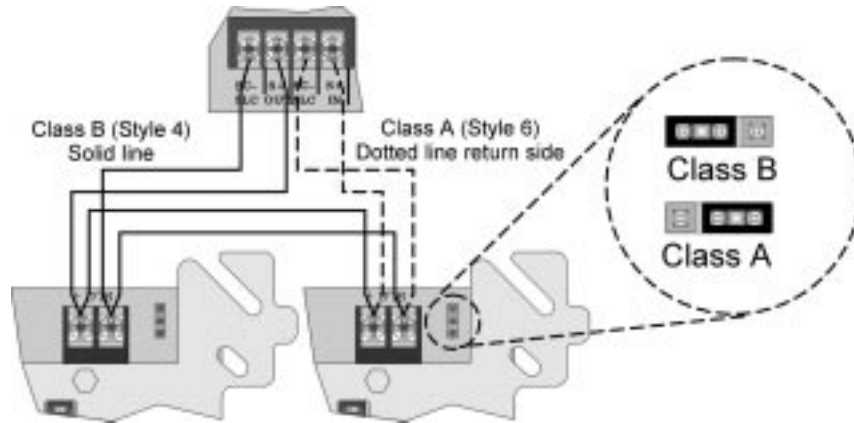
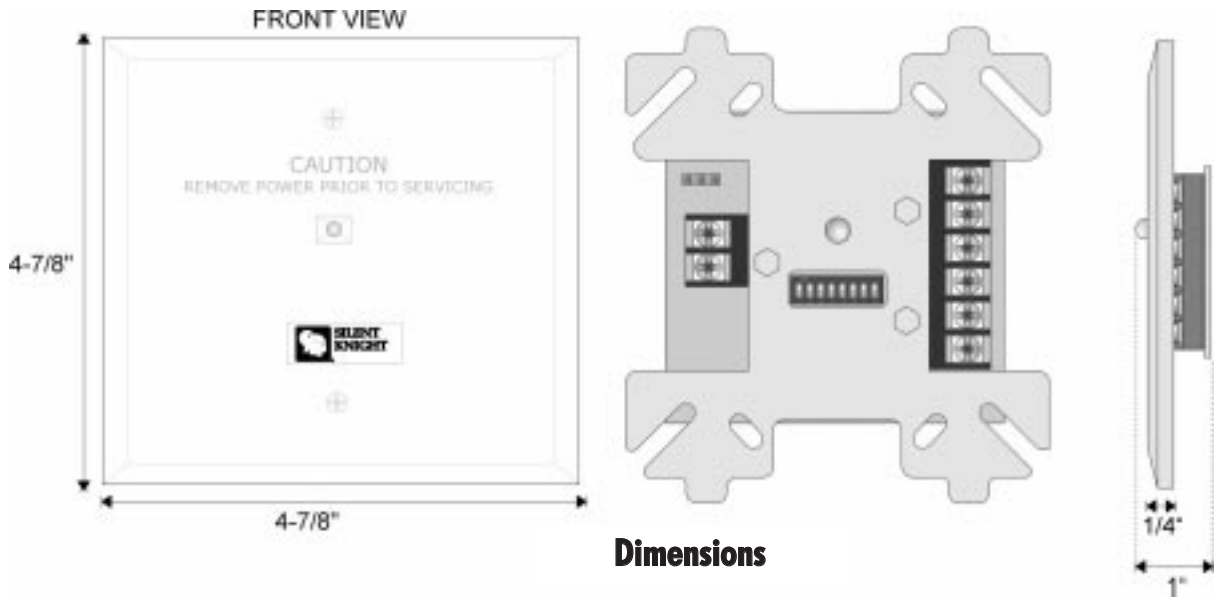
Indoor Use Only



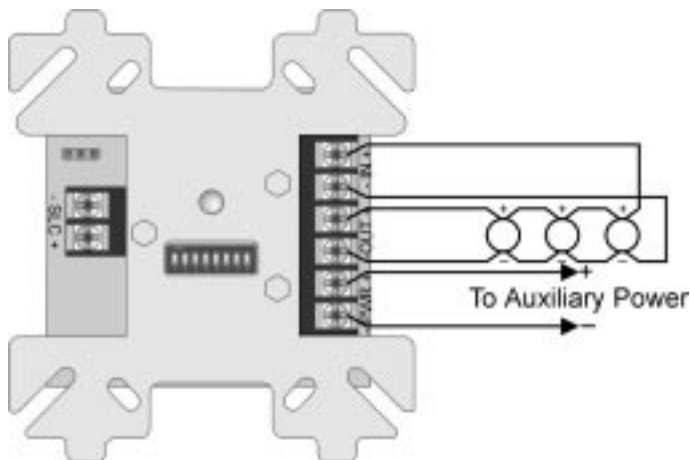
**SILENT
KNIGHT**

7550 Meridian Circle
Maple Grove, Mn 55369-4927
612-493-6455
1-800-328-0103
Fax: 612-493-7475

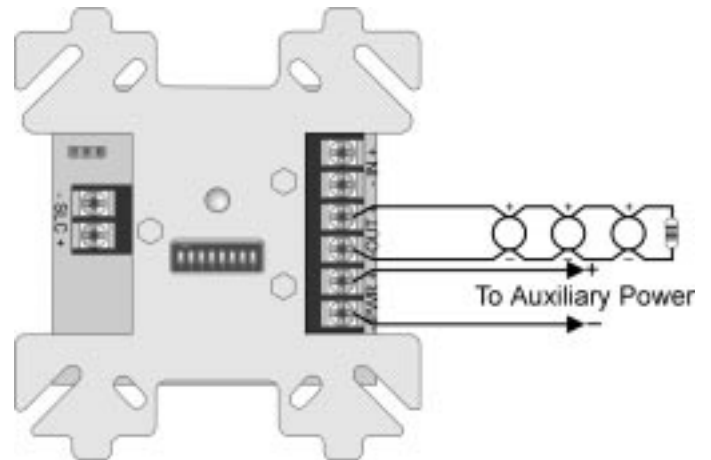
P/N 350235, 01/00
Copyright © 2000 Silent Knight



Connections to FACP



Class A (Style 6)



Class B (Style 4)