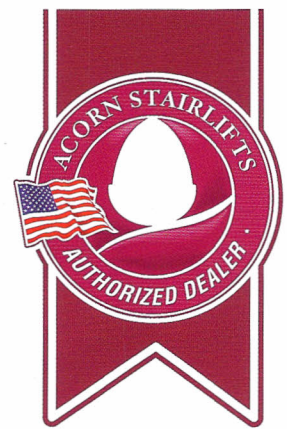


Independence made easy



The Acorn 180 Stairlift

The Acorn 180 Stairlift is revolutionizing the stairlift industry, as its capabilities are nearly endless. It works on virtually any staircase: straight, curved, multiple landings, wrap-around, and more! The Acorn 180 provides a solution that will make your life easier, so you never have to compromise your independence and struggle on your stairs again.

With a built-in soft start and stop mechanism, the Acorn 180 provides a smooth and comfortable ride every time. And you can be sure that your stairlift is always ready for use thanks to the integral rechargeable battery pack, even in the event of a power outage.

The Acorn 180's slim and attractive rail system is custom made to fit perfectly and secures directly to the stairs, not the walls, so there's no damage to your home.

A wide variety of safety features come standard on every Acorn 180 Stairlift, each designed to ensure that your stairlift is extremely safe and easy to use. In fact, the Acorn 180 Stairlift has earned the prestigious Ease-of-Use Commendation from the Arthritis Foundation.

The unique self-leveling system automatically adjusts the speed and level of the seat when moving around corners, providing an exceptionally smooth ride; and the electronic programming ensures optimum performance at all times.

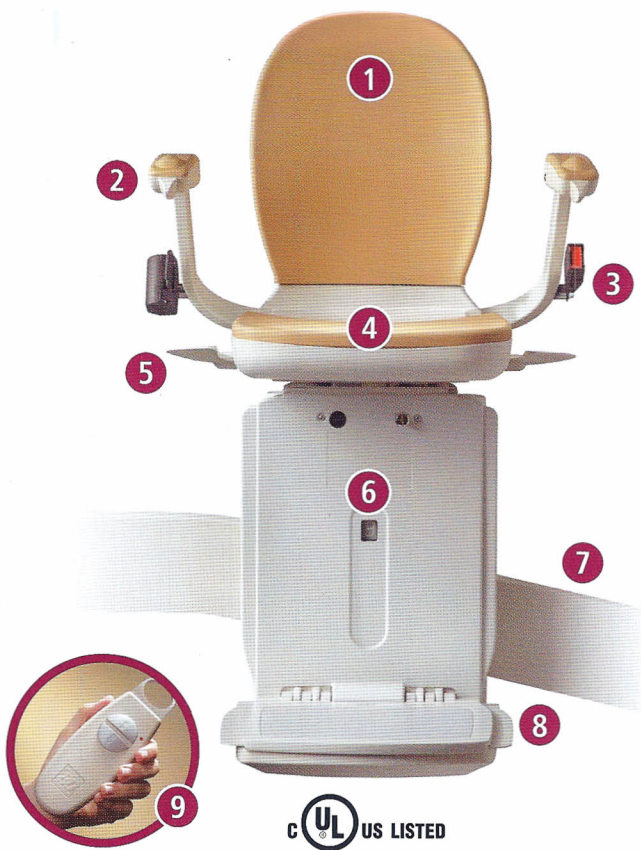
The footrest was designed to sit very close to the ground so you don't have to step up to get on or step down to get off. When not in use, the arms, seat, and footrest can be folded up so that everyone can continue to use the stairs.



Give your life a lift[®]

Enjoy the home you love

A wealth of features for your benefit



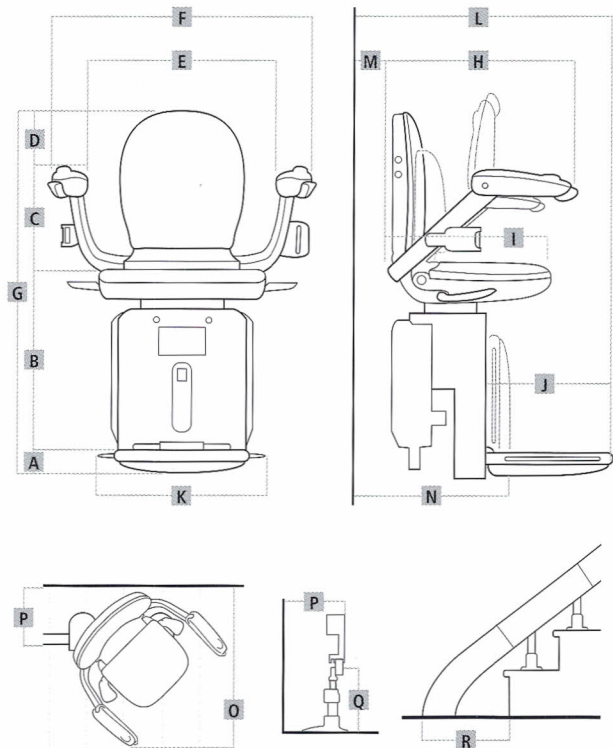
- 1 Padded seat and backrest.
- 2 Easy to use controls.
- 3 Secure safety belt.
- 4 Folding arms, footrest and seat allow easy access to the stairway.
- 5 Swivel seat - no need for twisting the body to get on and off the lift.
- 6 Diagnostic digital display informs the user of the status of the lift.
- 7 Modular rail allows the rail portion of the lift to be quickly assembled from stock components, enabling faster delivery and an installation time to suit you.
- 8 Safety sensors on the footrest and carriage stop the lift automatically if any obstruction is encountered.
- 9 Hand-held remote controls allow users to 'call' or 'send' the lift up and down the staircase.

Dimensions

	inch	mm
A Floor to top of footrest	2	50
B Top of footrest to top of seat	19	485
C Top of seat to top of arms	9 $\frac{3}{4}$	245
D Top of arms to top of seat back	7 $\frac{3}{4}$	195
E Width between armrests	19	480
F Overall width including seatbelt	24 $\frac{1}{4}$	620
G Overall height	38 $\frac{3}{4}$	975
H Length of arms from seat back	18	460
I Length of seat base from seat back	17	435
J Length of footrest	14 $\frac{1}{4}$	360
K Width of footrest	14 $\frac{3}{4}$	375
L Front of footrest to stringer	25 $\frac{1}{4}$	640
M Back of seat to stringer	1 $\frac{1}{2}$	35
N Folded width	13 $\frac{3}{4}$	335
O Minimum width required to swivel at top	27 $\frac{1}{2}$	700
P Distance from front of rail to stringer	7	180
Q Height of leg	5 _(min) 25 $\frac{1}{2}$ _(max)	125 _(min) 650 _(max)
R Front of drop nose to first stair	17 $\frac{3}{4}$	450

Specifications

Motor Power	0.375KW
Motor Output Speed	No greater than 0.15 m/s (USA)
Method of Drive	Rack and Pinion
Power Supply	24V DC (battery)
Maximum Capacity	266lbs
Track	Extruded Aluminium
Mains Supply	120V AC, 1.5 Amp Charger



Dealer Stamp

Acorn reserves the right to change specifications without notice. All measurements are approximate. Images are shown for illustrative purposes only. Product may vary slightly.