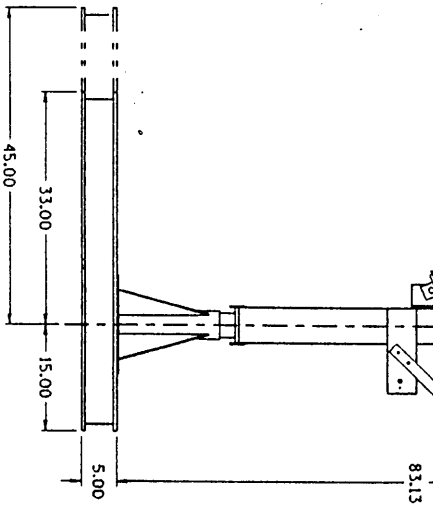


N.A. BOOM ADJUSTS FROM THE HORIZONTAL POSITION UPWARD 50° TO DOWNWARD 18°.
 N.B. PALLET BASE IS OPTIONAL. AVAILABLE SIZES ARE 46\"/>

L93-1-12 Shown



THIS SHEET CONTAINS PROPRIETARY INFORMATION OWNED BY THE LINCOLN ELECTRIC CO. AND IS NOT TO BE REPRODUCED, ENCLOSED OR USED WITHOUT THE EXPRESS PERMISSION OF THE LINCOLN ELECTRIC CO.	UNLESS OTHERWISE SPECIFIED TOLERANCE MANUFACTURING TOLERANCE PER ASME ON 2 PLACE DECIMALS IS ±.01 ON 3 PLACE DECIMALS IS ±.005 ON ALL DIMS IN 1/8\"/>	DATE: _____	DRAWN BY: _____	CHECKED BY: _____	APPROVED BY: _____
		THE LINCOLN ELECTRIC CO. CLEVELAND, OHIO U.S.A.	SCALE: _____	DATE: _____	CHECKED BY: _____