

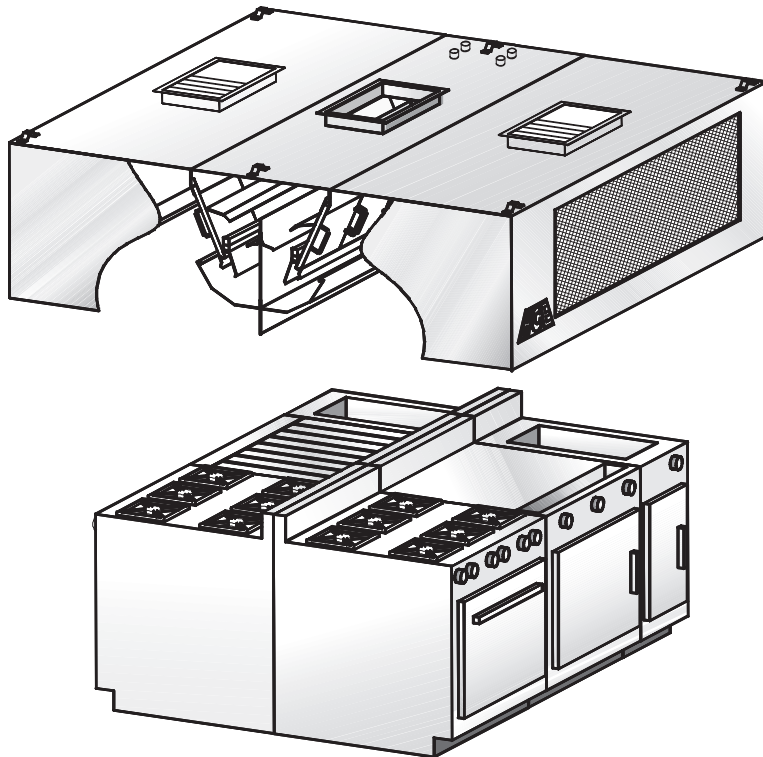
Model **AWCM-C-MKA**

**Auto-wash hood with cold water mist**



**Description:**

HCE auto-wash, island-type exhaust hood, with cold water mist and adjustable extraction baffles to balance exhaust in the hood. Model AWCM-C-MKA.



**Suggested model**

- **Institutional kitchens**  
(hospitals, schools, hotels, restaurant chains, etc.)
- **Steak houses**
- **Island application**

**Specifications:**

- Front supply of tempered make-up air
- Improves productivity by ensuring efficiency, performance and comfort for the kitchen staff
- Constructed of sturdy 18-gauge (1.2 mm) stainless steel
- Available in lengths of 3' 0" to 16' 0" (914 mm to 4,877 mm)
- Adjustable extraction baffles
- Daily cleaning cycle
- Helps keep extraction baffles clean
- Reduces the risk of fire
- Removable, dishwasher-safe extraction baffles
- Easy installation
- Listed US
- Many options available (see reverse)
- Quick delivery

**Construction:**

Exposed hood surface: type 304 stainless steel with #4 finish (brushed). Non-exposed hood surface: stainless steel with #2B finish, minimum 18-gauge (1.2 mm) thickness. All visible welded joints are polished to match original finish. To meet NFPA-96 requirements.

**Installation:**

Suspension (recommended height)

The hood should be installed 6' 6" (1,981 mm) from the floor. Hanging brackets are welded at all four corners.

Important: Horizontal ducts should be sloped toward the collars to prevent water from accumulating in the ducts.

Semi-combustible materials

A clearance of 3" (76 mm) is required when the hood is in contact with semi-combustible materials. As per NFPA-96 standards, a stainless steel spacer will be required.

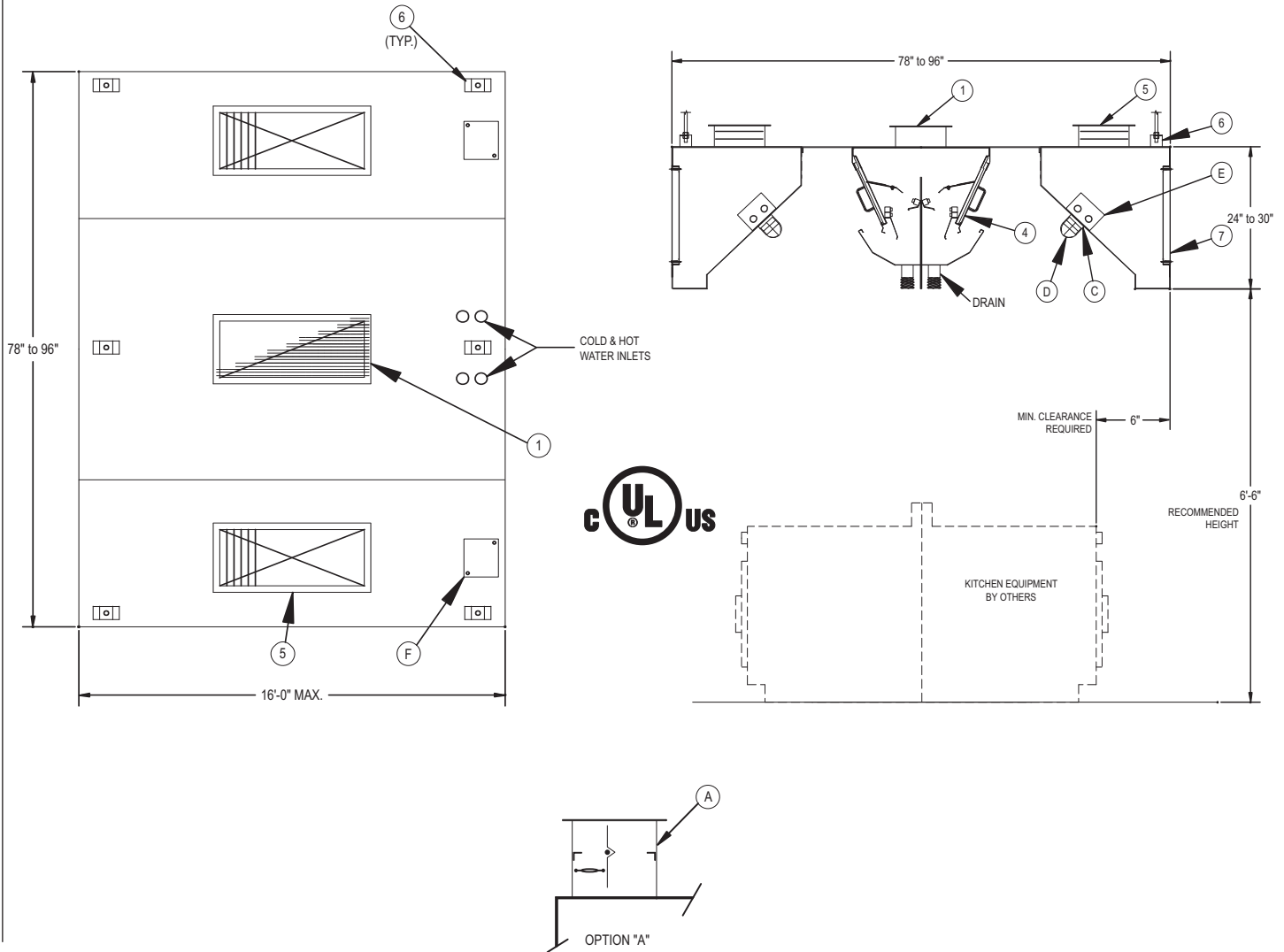
**Enclosure panels (optional):**

The space between the top of the hood and the ceiling may be closed with stainless steel panels in the same finish as the hood.

**Electrical:**

Junction box and pre-wiring for lighting system may be factory installed if required.

## **G** Auto-wash hood with cold water mist



### Optional accessories: (see section "K" for details)

<b>A</b>	cULus-listed exhaust collar with fire damper
<b>B</b>	cULus-listed exhaust collar with balancing damper
<b>C</b>	Incandescent lights (Quantity recommended: (1) light per 5 linear feet of hood)
<b>D</b>	Wire guard for incandescent lights
<b>E</b>	36" or 48" fluorescent lights (Quantity recommended: (1) light per 8 linear feet of hood)
<b>F</b>	Junction box and pre-wiring for lighting
<b>H</b>	Enclosure panels, stainless steel with #4 finish, between hood and ceiling
<b>I</b>	PAC-02 programmable control panel
<b>J</b>	End skirts should be used to maximize hood performance

### Accessories included:

<b>1</b>	Exhaust collar (3" high)
<b>4</b>	Removable extraction baffles
<b>5</b>	Supply collar with cULus-listed fire damper
<b>6</b>	Hanging brackets
<b>7</b>	Stainless steel supply grid



# Model **AWCM-C-MKA**

## **G** Auto-wash hood with cold water mist

Length		520 CFM (245 L/S) / Linear Ft. *				Supply		Collar/Opening 12" (305 mm) x _____	
Feet	mm	Exhaust		Collar/Opening 14" (356 mm) x _____		CFM	L/S	Inches	mm
		CFM	L/S	Inches	mm				
3'-6"	1068	1800	850	18	457	1400	660	(2) 12	(2) 305
4'-0"	1220	2100	990	20	508	1650	780	(2) 12	(2) 305
4'-6"	1372	2300	1085	22	558	1800	850	(2) 14	(2) 356
5'-0"	1524	2600	1225	24	610	2050	970	(2) 14	(2) 356
5'-6"	1676	2850	1345	26	660	2250	1060	(2) 16	(2) 406
6'-0"	1828	3100	1465	30	762	2480	1170	(2) 18	(2) 457
6'-6"	1981	3400	1605	32	812	2720	1285	(2) 20	(2) 508
7'-0"	2134	3650	1725	34	864	2950	1390	(2) 22	(2) 559
7'-6"	2286	3900	1840	38	965	3150	1485	(2) 22	(2) 559
8'-0"	2438	4150	1960	40	1016	3350	1535	(2) 24	(2) 610

\* Exhaust for 84" (2,130 mm) and 96" (2,440 mm)-deep hoods. Contact us for assistance to determine the appropriate air volume.



	Exhaust VOLUME (CFM / Lin. Ft.)	Internal pressure loss (IN / H <sub>2</sub> O)	Exhaust VOLUME (L/S per linear metre)	Internal pressure loss (Pa)
<b>Light cooking</b>	450	0,8	696	200
<b>Medium cooking</b>	520	1,0	800	250
<b>Heavy cooking</b>	700	1,65	1080	412

See reverse for additional information



# Model **AWCM-C-MKA**

## G

### Auto-wash hood with cold water mist

Length		520 CFM (245 L/S) / Linear Ft. *				Hot water flow		Cold water flow	
		Exhaust		Collar/Opening 14" (356 mm) x _____		US GPM @ 20 psi	L/M @ 1.4 kg/cm <sup>2</sup>	US GPM @ 20 psi	L/M @ 1.4 kg/cm <sup>2</sup>
Feet	mm	CFM	L/S	Inches	mm				
3'-6"	1068	1800	850	18	457	6,24	23,62	0,88	3,32
4'-0"	1220	2100	990	20	508	7,02	26,57	0,88	3,32
4'-6"	1372	2300	1085	22	558	7,80	29,52	1,1	4,16
5'-0"	1524	2600	1225	24	610	8,58	32,48	1,1	4,16
5'-6"	1676	2850	1345	26	660	9,36	35,43	1,32	4,98
6'-0"	1828	3100	1465	30	762	10,14	38,38	1,32	4,98
6'-6"	1981	3400	1605	32	812	10,92	41,33	1,54	5,82
7'-0"	2134	3650	1725	34	864	11,70	44,29	1,54	5,82
7'-6"	2286	3900	1840	38	965	12,48	47,24	1,76	6,66
8'-0"	2438	4150	1960	40	1016	13,26	50,19	1,76	6,66

\* Exhaust for 84" (2,130 mm) and 96" (2,440 mm)-deep hoods. Contact us for assistance to determine the appropriate air volume.

#### Note:

For AWCM-C-MKA central hoods more than 8' in length, use AWCM-MKA wall-type hoods back to back.

#### Notes:

- Hot water inlet connection required :  
3/4" (19 mm) Ø from 3'6" (1,068 mm) to 8' (2,438 mm).
- Pressure required: 40-70 psi (2.8-4.9 kg/cm<sup>2</sup>).
- Recommended hot water temperature: 120° to 170° F (49° to 77°C).
- Cold water inlet connection required :  
1/2" (13 mm) Ø from 3'6" (1,068 mm) to 8' (2,438 mm).
- Pressure required: 40-70 psi (2.8-4.9 kg/cm<sup>2</sup>).
- Drain connection: 2" (50 mm) Ø for all hoods.