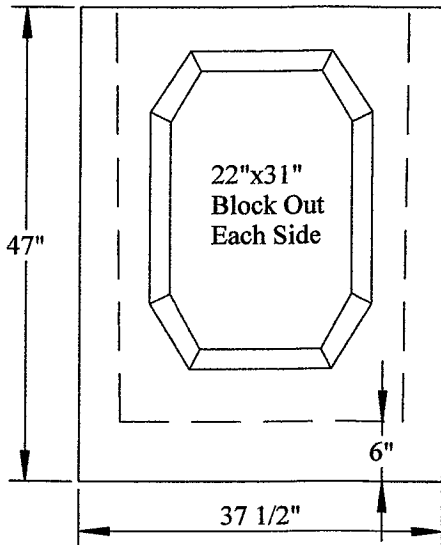
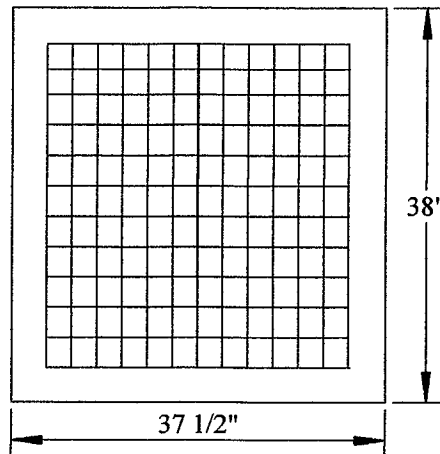


G2 Catch Basin

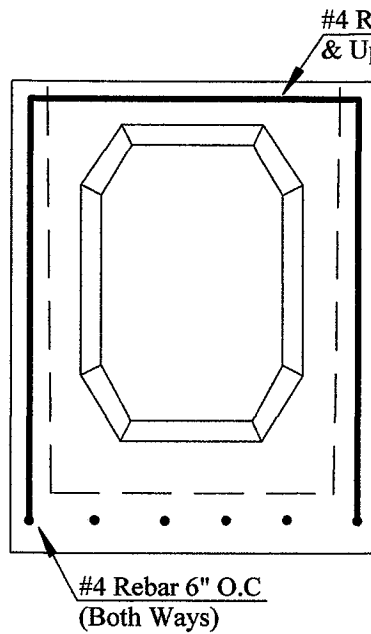
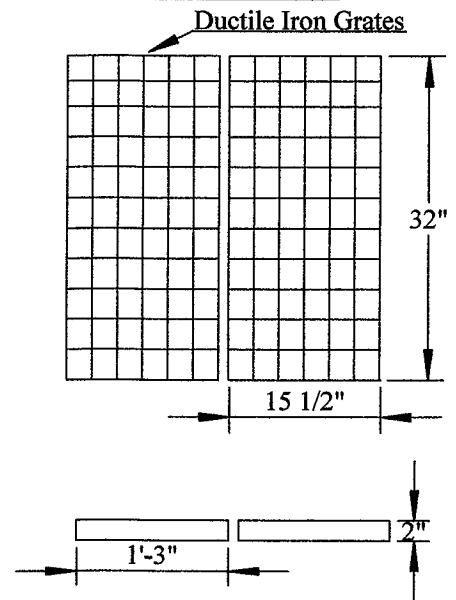
Side



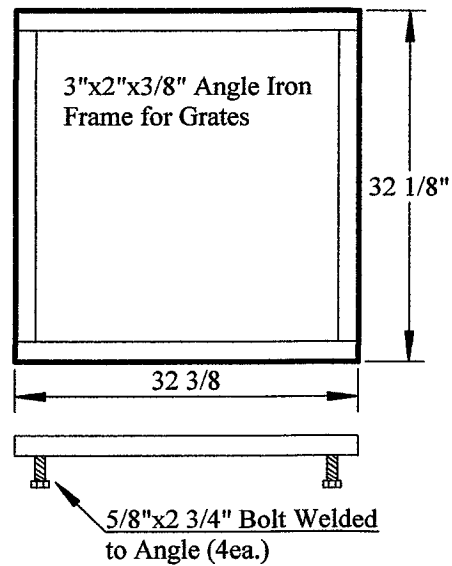
Top



Grate Detail



Rebar Placement



Frame Detail

