

Smartphone and Tablet Interface


Item #: 1811403

OVERVIEW:

The **myLink™ RTS Smartphone and Tablet Interface** is a WiFi to Radio Technology Somfy® (RTS) bridge that can control up to 5 channels of RTS motorized products using the Somfy myLink apps for iOS and Android devices. Through the app, users can send immediate RTS commands, create scenes (a group of motorized products working together) and schedules (timed events). Users may access their myLinks from anywhere with the app's remote access feature. Though the myLink is a single-zone controller, multiple myLinks can be joined within the same system for multi-zone control.



TECHNICAL SPECIFICATIONS:

- 110V AC; 50-60Hz
- Ultra Low Power Wi-Fi (802.11 b/g/n)
- 4.11L x 2.23W x 1.52H in.
- Radio Frequency:
 - RTS 433.32 MHz
 - WiFi: 2.4 GHz
- iOS Version: 7 and higher
- Android Version: Jelly Bean and higher
- Operating Temp: 0-45 degrees C
- Rated Current (Amps): 10 milliamps AC max
- Insulation Class: Class II
- For Indoor Use Only
- Enclosure:
 - ABS
 - UL94V-0 flame rating
 - RoHS compliant
 - UL listed 
- Shipping Weight: 1lb

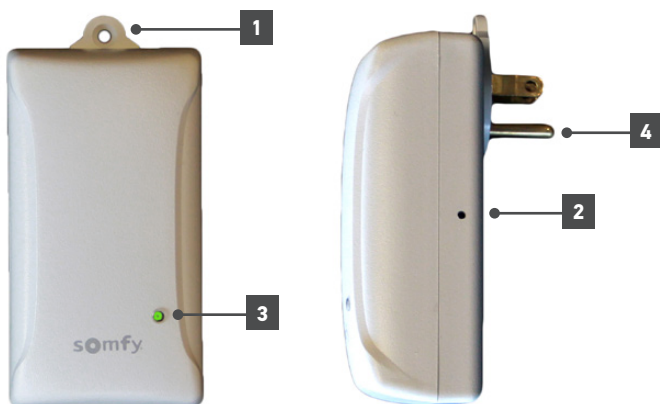
FEATURES SUMMARY:

- Control for up to 5 RTS channels per myLink™ from iOS and Android devices
- Join multiple myLinks together for multi-zone control
- Manually activate RTS products
- Automate window coverings with scenes and schedules
- Supports Up/Down/My/Stop commands and incremental control (tilt/brightness)
- Multiple users
- Remote access

WHAT'S IN THE BOX:

- myLink™
- Quick Start Guide

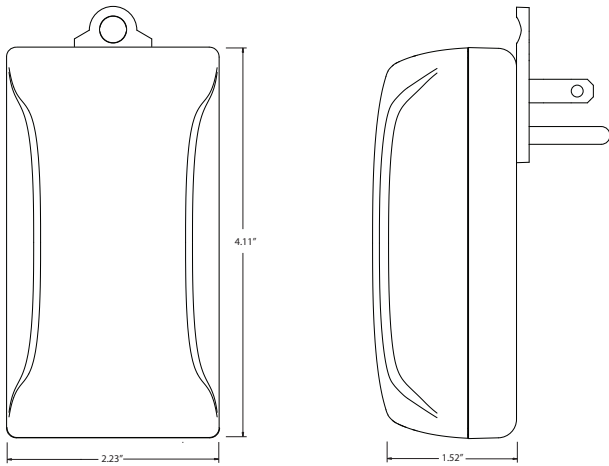
CONNECTIONS AND INDICATORS:



ELEMENT	FUNCTION
1 Hold Down Tab	Allows device to be secured to outlet
2 Setup Button	Engages setup mode
3 Status LED	Solid Red: setup mode and is ready to connect to LAN Solid Green: connected to LAN Blinking Green: searching for/connecting to a LAN Flashing Red: RTS signal transmission Solid Amber: firmware update mode
4 AC Prongs	AC prongs



DIMENSIONS:



BEST WIRING PRACTICES

