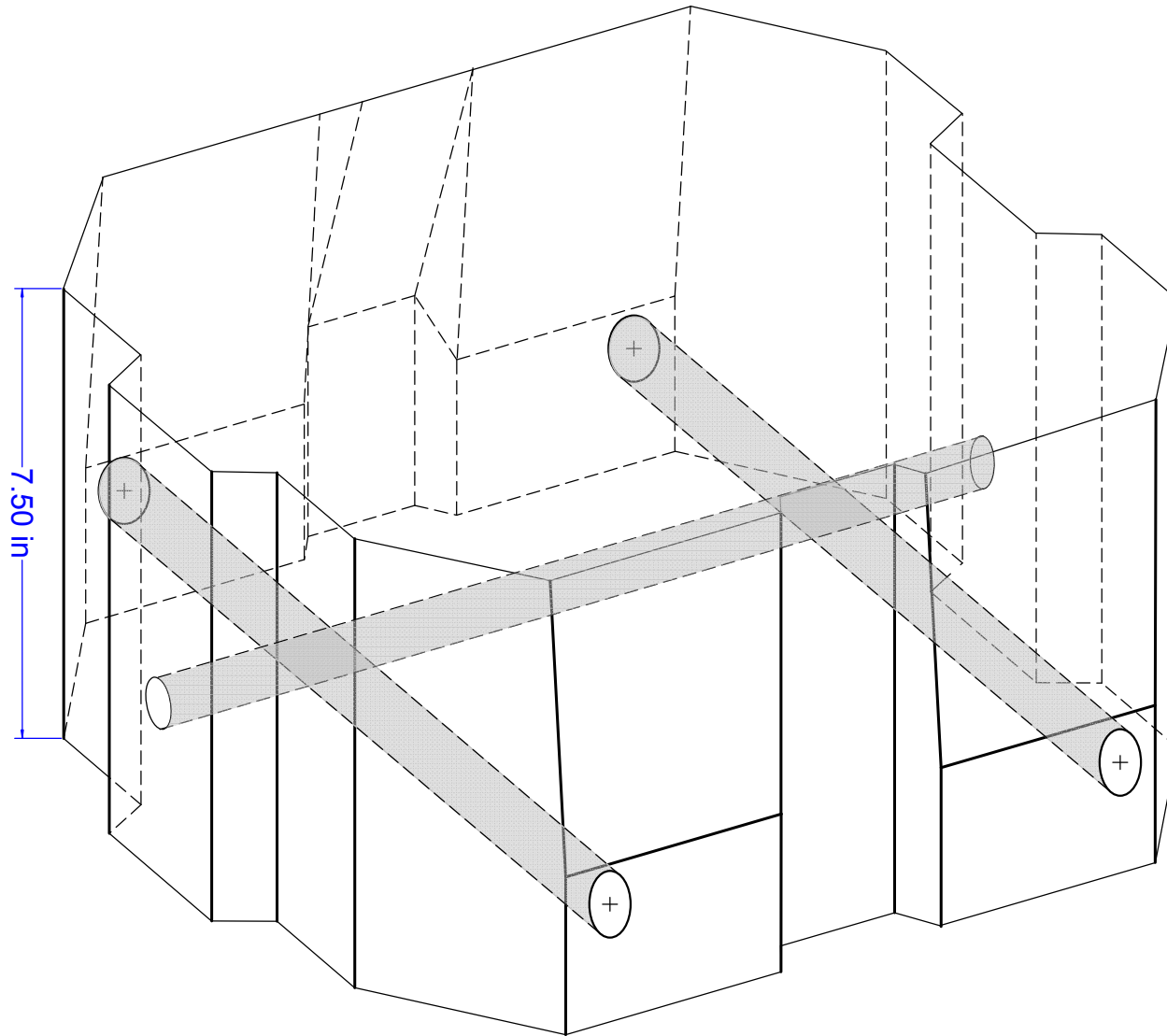


RevetBlok™ I - R81616-7 Male Block



NOTES

Mattress construction requires a Female RevetBlok™ on each row to allow the horizontal cable to be connected to the adjacent mattress.

TECHNICAL SPECIFICATIONS

The RevetBlok is manufactured in accordance with ASTM 90 and C140.

- 1 - RevetBlok R-81616-7 Unit Weight is 127 - 152 lbs.
- 2 - Minimum Compressive Strength 4,000 psi.
- 3 - Maximum Absorption 5%.
- 4 - Dimensional Tolerance +/- 1/8".

RUDLOFF EROSION

1005 Farmers Rd
Brenham, TX 77833
800-259-3178 Fax: 979-830-1040
www.rudlofferosion.com

RevetBlok™ I - R81616-7

Project Name:

Date:

06-27-19

Drawing Name:

Block Details

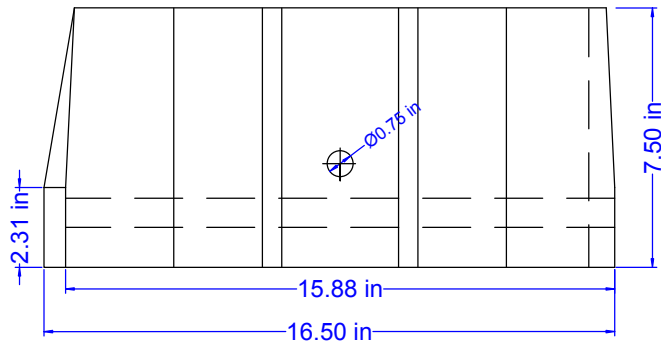
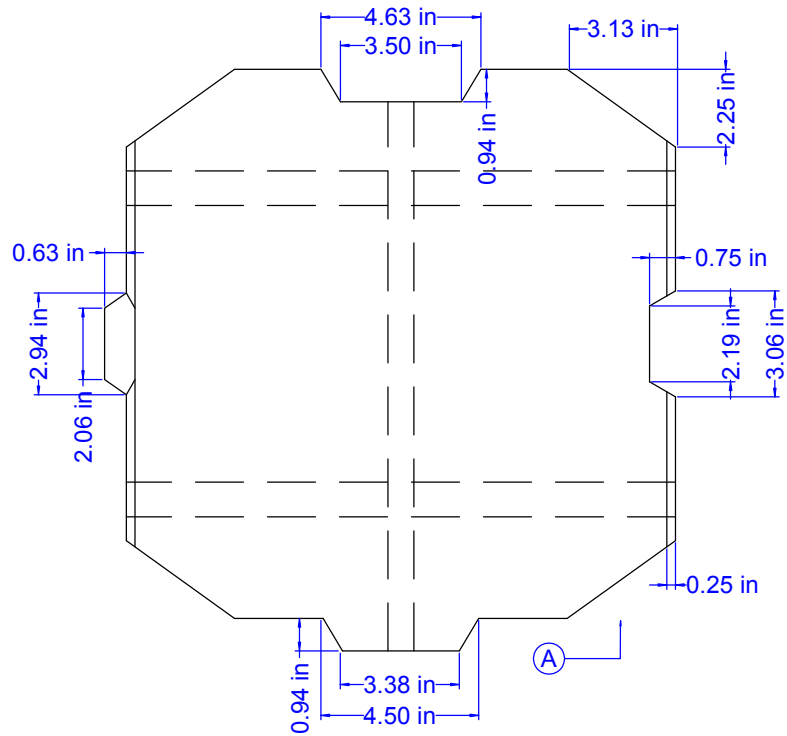
Revisions:

Ver. 03

Scale

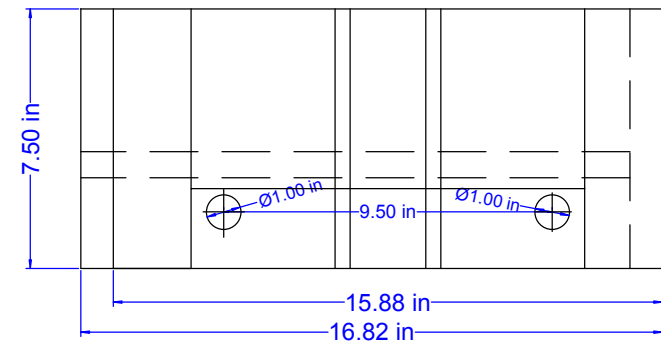
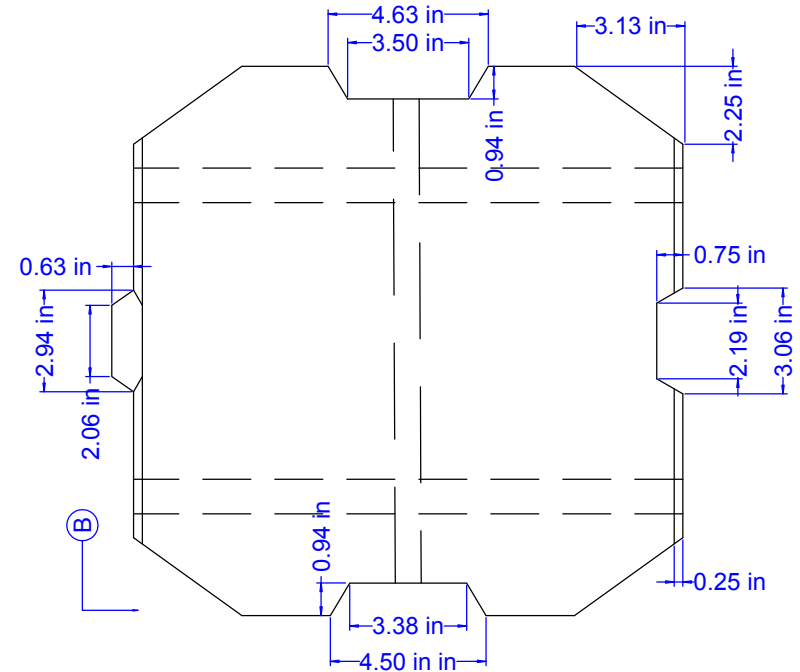
Not To Scale

RevetBlok™ I - R81616-7 Male Block



Section A

RevetBlok™ I - R81616-7 Female Block



Section B

NOTES

Mattress construction requires a Female RevetBlok™ on each row to allow the horizontal cable to be connected to the adjacent mattress.

TECHNICAL SPECIFICATIONS

The RevetBlok is manufactured in accordance with ASTM 90 and C140.

- 1 - RevetBlok R-81616-7 Unit Weight is 127 - 152 lbs.
- 2 - Minimum Compressive Strength 4,000 psi.
- 3 - Maximum Absorption 5%.
- 4 - Dimensional Tolerance +/- 1/8".

RUDLOFF EROSION 1005 Farmers Rd Brenham, TX 77833 800-259-3178 Fax: 979-830-1040 www.rudlofferosion.com	RevetBlok™ I - R81616-7	Date: 06-27-19	Drawing Name: Block Details
	Project Name:	Revisions: Ver. 03	Scale: Not To Scale