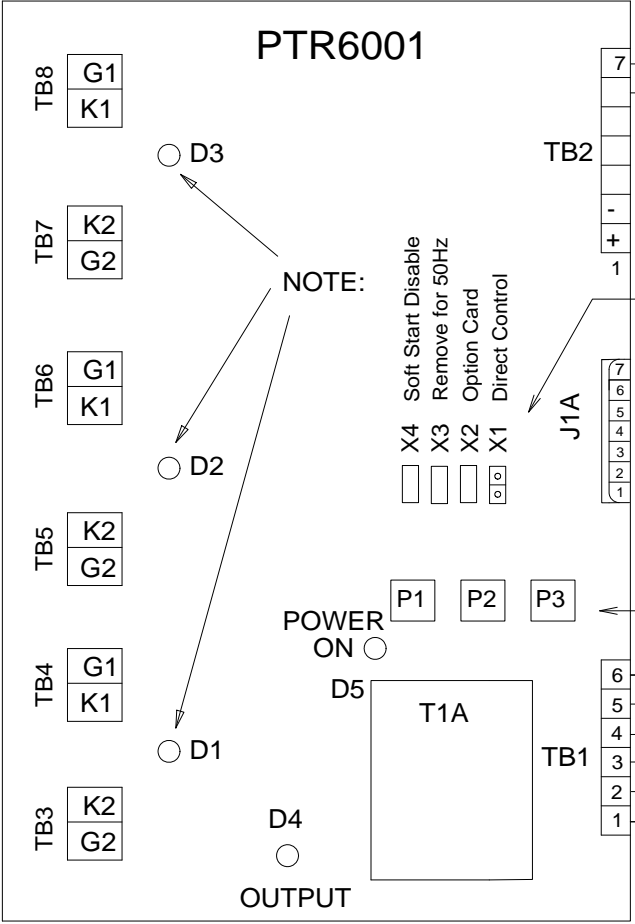


- PURPLE / PURPLE W/ C
- BLACK / BLACK C̄
- YELLOW / YELLOW W/ B
- GRAY / GRAY B̄
- RED / RED W/ A
- BLUE / BLUE Ā



PTR6001

- NOTE:**
- X4 Soft Start Disable
 - X3 Remove for 50Hz
 - X2 Option Card
 - X1 Direct Control

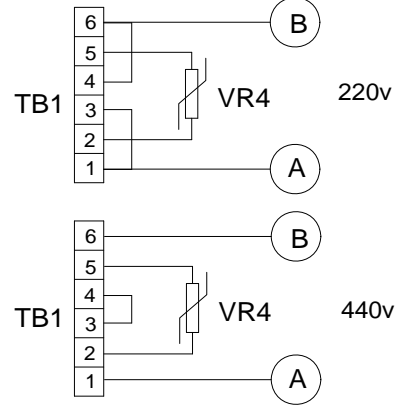
N/O Lockout
Direct Control

J1A CONNECTION TO J1B ON PCM CARD

There are seven (7) pins on the board the connector uses ONLY the first six (6)

P1-P2-P3 Disabled
Not used with OPTION card. (TX3, TX6)

NOTE:
D1, D2, D3
IF NOT LIT AT ZERO COMMAND
INDICATES PHASE LOSS OR SHORTEN SCR.
AS COMMAND INCREASES
D1, D2, D3 DIM



Make sure the board is wired for proper input voltage.

ULTIMATIC			
<small>RECTIFIER POWER SUPPLY BY: ALDONEX</small>			
<small>SCALE</small>	<small>NONE</small>	<small>APPROVED BY:</small>	<small>DRAWN BY:</small>
<small>DATE:</small>			
PTR6001			
<small>BELLWOOD, ILL.</small>	<small>U.S.A.</small>	<small>DRAWING #</small>	