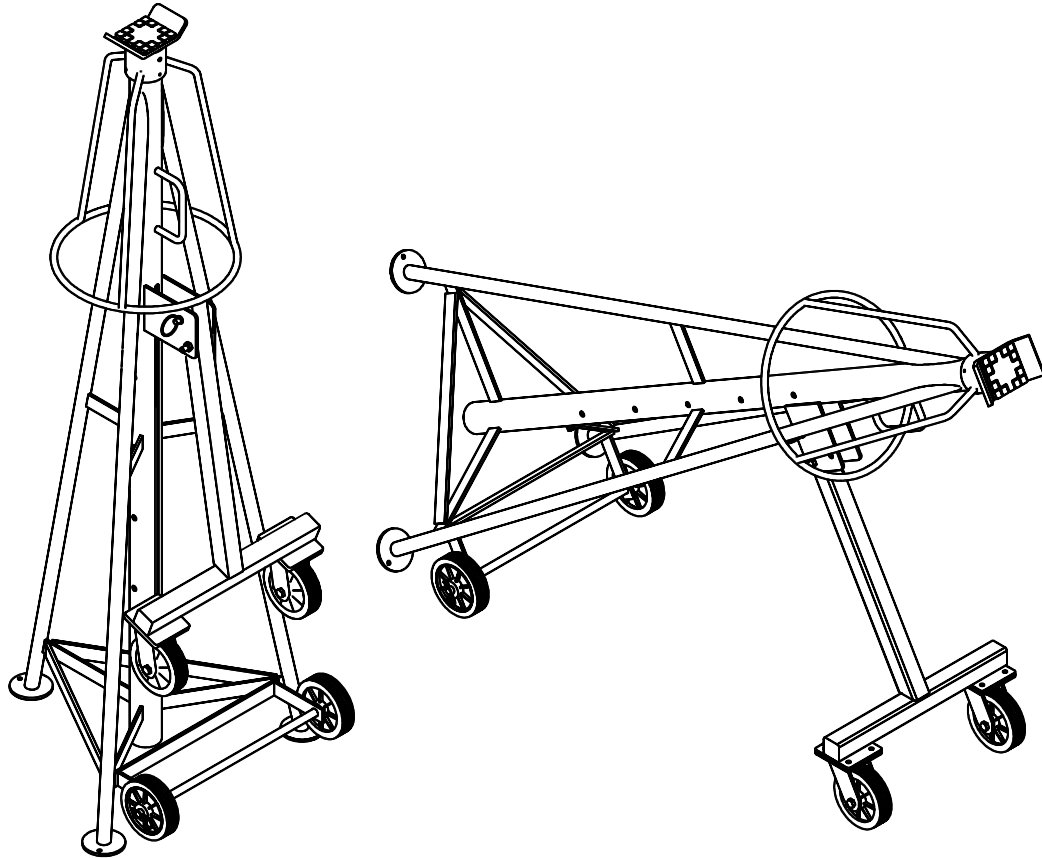


INSTALLATION, OPERATION & MAINTENANCE MANUAL

Portable Tailgate Support Stand



Model 50040

200 Cabel Street, P.O. Box 3944
email: sales@challengerlifts.com

Louisville, Kentucky 40201-3944
web site: www.challengerlifts.com

Office 800-648-5438 / 502-625-0700 Fax 502-587-1933

**IMPORTANT: READ THIS MANUAL COMPLETELY BEFORE
OPERATING STAND**

PORTABLE TAILGATE SUPPORT STAND

Model 50040

(Capacity 12000 pounds each)

INSPECTION

BEFORE EACH USE:

Visual inspection shall be made before each use of the stand by checking for abnormal conditions, such as cracked welds, damaged, loose, or missing parts.

AFTER EACH USE:

Each stand shall be inspected immediately if the support is believed to have been subjected to an abnormal load or shock. It is recommended that this inspection be made by a manufacturer's or supplier's authorized repair facility.

ANNUAL INSPECTION:

Annual inspection of the stand is recommended and shall be made by the manufacturer's or supplier's authorized repair facility to ensure that your stand is in optimum condition.

WARNING !

STUDY, UNDERSTAND, AND FOLLOW ALL INSTRUCTIONS.

THIS STAND IS NOT A VEHICLE SUPPORT STAND. THIS STAND IS DESIGNED TO SUPPORT A FULLY OPENED TAILGATE.

LOWER SADDLE COMPLETELY BEFORE TIPPING STAND.

STAND WEIGHS 175 POUNDS. USE CAUTION BEFORE TIPPING.

DO NOT OVERLOAD STAND.

PLACE LOAD IN THE CENTER OF THE SADDLE ONLY.

USE STAND ON HARD, LEVEL SURFACE CAPABLE OF SUSTAINING THE LOAD.

LOAD SHALL BE STABLE . USE ON OTHER THAN HARD LEVEL SURFACES MAY RESULT IN POSSIBLE LOSS OF LOAD.

FAILURE TO HEED THESE WARNINGS MAY RESULT IN LOSS OF LOAD, DAMAGE TO STAND, AND/OR FAILURE RESULTING IN PERSONAL INJURY OR PROPERTY DAMAGE.

MAINTENANCE

DAILY: Keep stand free of dirt and debris.

WEEKLY: Raise saddle and clean screw threads. Grease spindle nut (zirk provided) and lower saddle to spread grease along the screw.

MONTHLY: Grease wheels (zirk provided).

OPERATING INSTRUCTION

THIS STAND IS NOT A VEHICLE SUPPORT STAND. THIS STAND IS DESIGNED TO SUPPORT A FULLY OPENED TAILGATE.

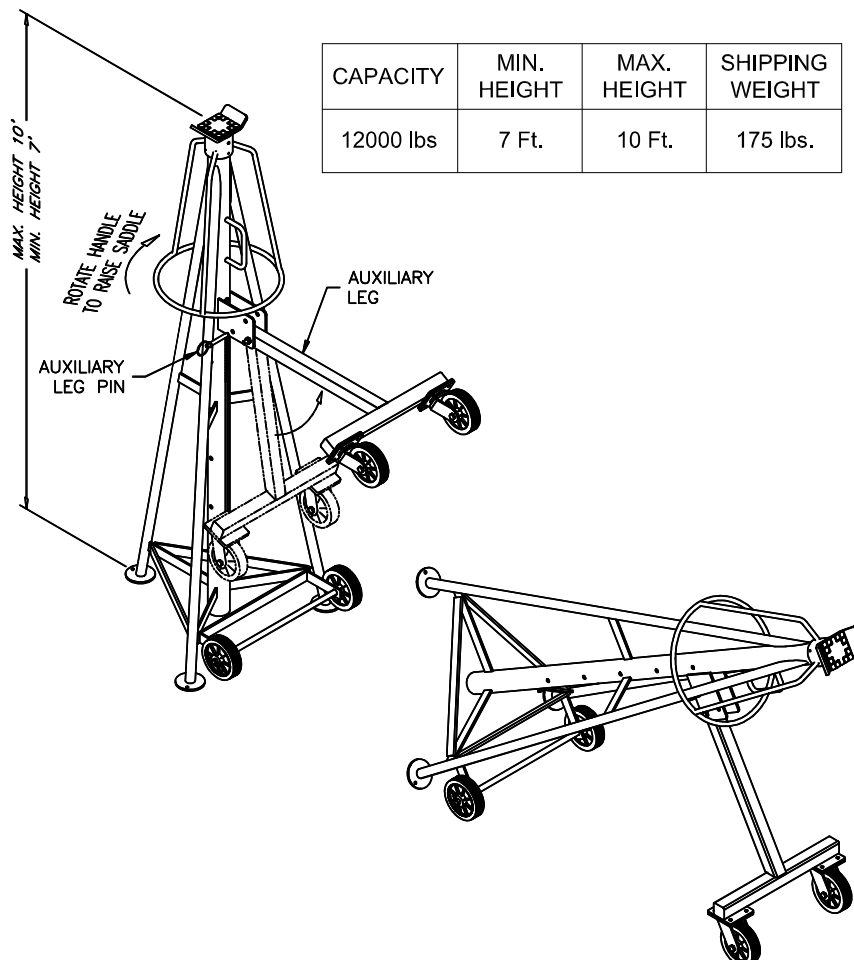
To Relocate Stand

1. Lower saddle completely.
2. Remove Auxiliary Leg Pin.
3. Rotate Auxiliary Leg upward and lock in place.
4. Tip stand and roll to desired location.

**WARNING! STAND WEIGHS 175 POUNDS.
USE CAUTION BEFORE TIPPING.**

To Operate Stand

1. Position the stand on hard, level surface.
2. Lock Auxiliary Leg in the lowered position.
3. Rotate the saddle for proper orientation.
4. Adjust saddle height by rotating handle.
5. Place load on the center of saddle. For safety, it is strongly recommended that lifting means not be removed while stand is supporting the tailgate.



PARTS BREAKDOWN

Model No. 50040

PARTS LIST		
ITEM QTY.	PART NO.	DESCRIPTION
1	50040-10	2 1/2" DIA. SCREW
2	50040-11	LOAD SUPPORT PAD WELD
3	50040-15	NUT WELD
4	50040-20	BASE WELD
5	50040-29	AXLE
6	50040-31	DROP LEG WELD
7	50040-40	SHOULDER BOLT 3/8 DIA x 1/2 Lg
8	50040-41	SET SCREW #10-32 x 3/8 Lg
9	50040-42	SELF LOCKING PIN
10	50040-43	HAIRPIN COTTER PIN
11	50040-44	LANYARD STRAP 24" Lg
12	50040-45	CASTER
13	50040-46	WHEEL
14	50040-47	GENERAL WARNING LABEL
15	50040-48	1/2-13NC x 3 1/2 IG. HEX HD CAP SCREW
16	2	31061
17	1	37013
18	3	66155
19	1	A1075
20	1	A1104
21	8	A1153
22	8	A1154
23	1	
24	1	10253
25	4	VS4515
26	1	70084
27	2	50040-49

