

6370SE

MEDIUM INTENSITY THRESHOLD LIGHT



Fixture shown with #961 Frangible Coupling and #1170-03 Baseplate

The 6370SE Medium Intensity Light is used for elevated threshold/end lighting.

The fixtures are certified to FAA L-861SE under Advisory Circular 150/5345-46 and meet the requirements of ICAO Annex 14.

Die cast aluminum fixture body supports a clear smooth heat resistant outer dome and colored inner lenses in a precise position with respect to the prefocused filament of the lamp. Fixtures mount directly on 2" Frangible Coupling or on 2" EMT with EMT Frangible Coupling.

L-861SE threshold/end lights use a 120W 6.6A quartz lamp. Easy lamp replacement is accomplished by loosening one thumbscrew and lifting entire optic lens assembly from base unit.

ORDERING INFORMATION

Basic Fixture Assembly



Color/Color: _____
 G = Green
 O = Obscure (Blank)
 R = Red
 W = White (Clear) (not FAA certified)
 A = Amber (not FAA certified)
 B = Blue (not FAA certified)

omit for Basic Fixture Assembly only

Fixture Mounting Height, inches:
 Standard Height is 10"
 14 = 14"
 20 = 20"
 24 = 24"
 30 = 30"
 Fixtures over standard height include longer cable and 2" EMT cut to proper length.

How to order:

Add optional items to basic fixture assembly in the following manner:
 Add color and height requirements.

Examples:

- (1) 6370SE-24 is the Basic Fixture Assembly, less lenses, for 24" high mounting.
- (2) 6370SE-GO-20 is a L861SE Unidirectional Threshold Light, with Green light on one side and no light (Obscured) on other side, 20" high.
- (3) 6370SE-RG-30 is a L861SE Bidirectional Threshold Light, with Red light on one side and Green light on other side, 30" high.

Note: Lamp and Frangible Coupling to be ordered separately

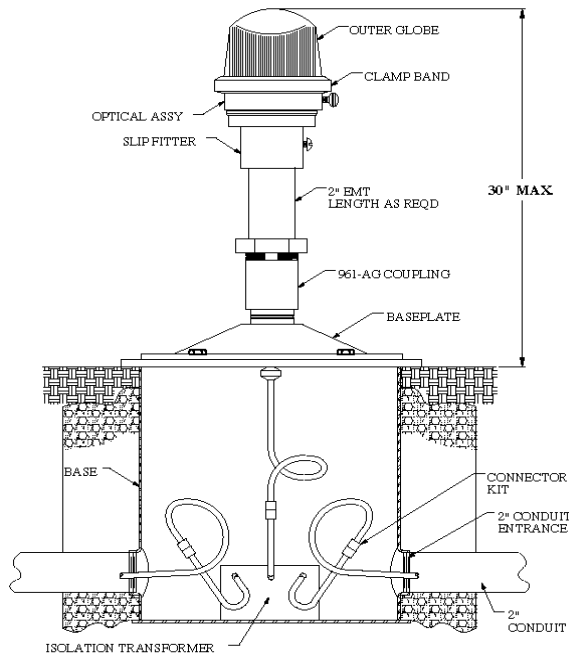
Accessories

| Catalog Number | Description |
|----------------|---------------------------------|
| 1170-03 | Baseplate, 2" tap, Aluminum |
| 1932 | Baseplate, 2" tap, Steel |
| 2102 | Stake Assembly, 2" tap |
| 961 | 2" Slip type Frangible Coupling |
| 961-AG | 2" EMT Frangible Coupling |
| 9696 | 120W 6.6A Bi-pin Quartz Lamp |

Replacement Parts

| Catalog Number | Description | Catalog Number | Description |
|----------------|----------------------------------|----------------|--------------------------|
| 6370SE | Basic Fixture Assembly, 14"h max | 6370-08-16 | 2" EMT, 16" long (24"h) |
| 6370SE-L | Basic Fixture Assembly, 30"h max | 6370-08-22 | 2" EMT, 22" long (30"h) |
| 6370-01 | Lens Mounting Casting | 6370-09SE | Clear Outer Lens |
| 6370-02 | O" Ring Gasket | 6370-10G | Green Inner Lens, 177° |
| 6370-03 | Lamp Pad | 6370-10R | Red Inner Lens, 177° |
| 6370-04 | Lamp Socket | 6370-10O | Obscure Inner Lens, 177° |
| 6370-05 | Clamp Band | 1170-16 | Cable Assembly, 16" long |
| 6370-08-6 | 2" EMT, 6" long (14"h) | 1170-32 | Cable Assembly, 32" long |
| 6370-08-12 | 2" EMT, 12" long (20"h) | | |

BASE MOUNTED ELEVATED LIGHT
FIXTURE SHOWN WITH OPTIONAL EXTRA HEIGHT



STAKE MOUNTED ELEVATED LIGHT
FIXTURE SHOWN WITH OPTIONAL EXTRA HEIGHT

