

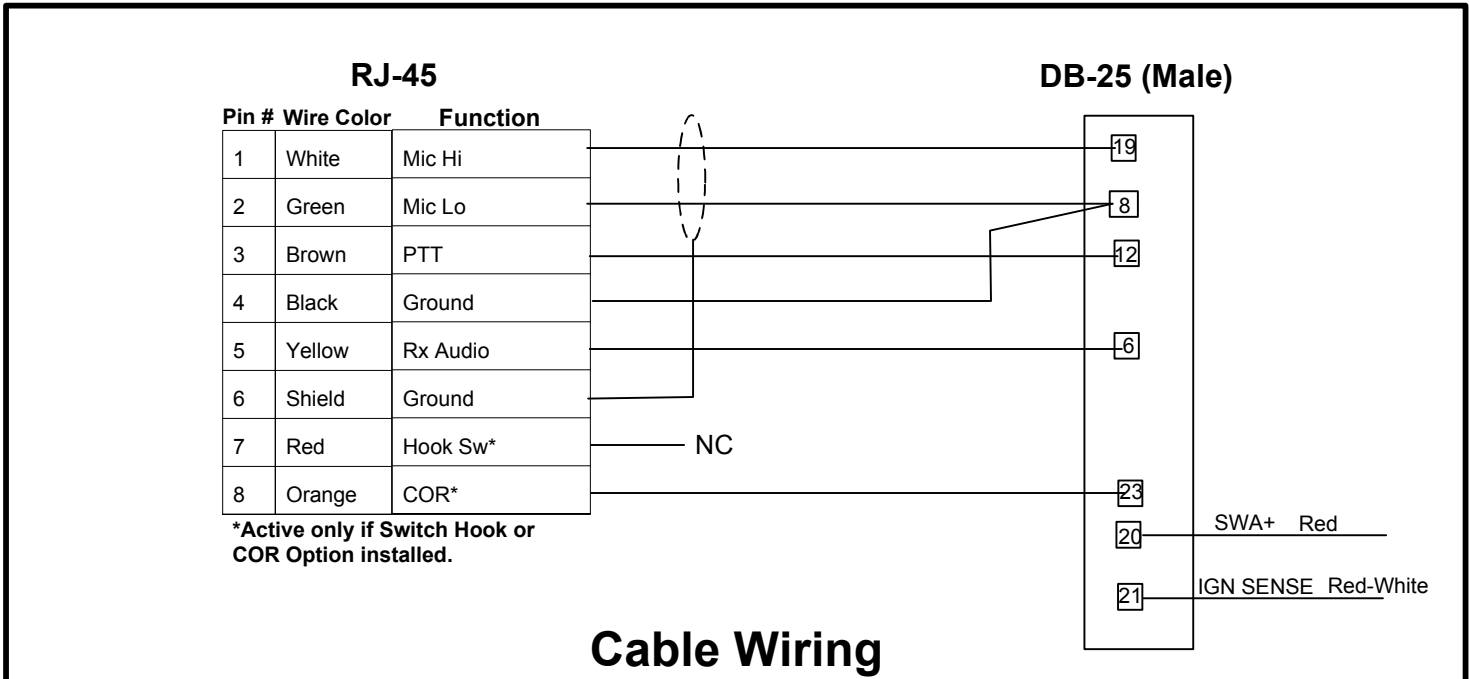
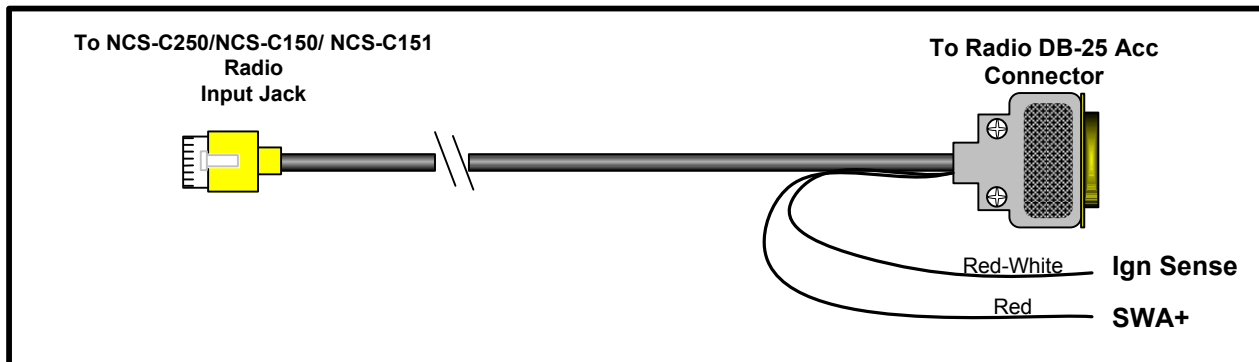
Radio Interface Cable

For NCS-C250 Mobile Multi-Switcher

NCS Model Number
NCS-250-BKA-XX

Compatible Radios:

Relm KNG Mobile Series



Notes:

1. Pin 23 (AUX_1_OUTPUT) must be programmed for COR in the radio programming software if COR signal detection is to be used. Otherwise, VOX signal detection must be used.
2. To enable vehicle ignition control at radio power up/power down, connect the red/white ignition sense line to the vehicle's ignition. Leave the red wire disconnected. If ignition control is not used connect the red/white wire to the red wire.

