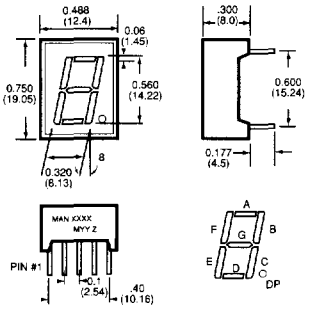
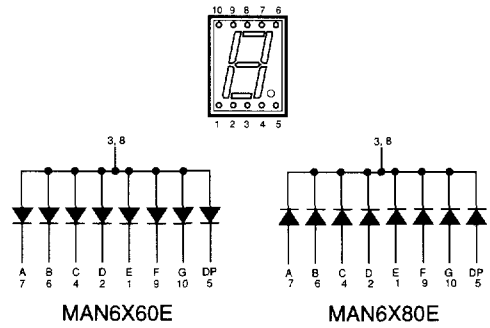


**NUMERIC SEGMENTED DISPLAYS**

0.56" Single Digit Stick Displays											
Part Number	Description	Source Color	Wave-length $\lambda$ (nm)	Segment Color	Face Color	Forward Voltage $V_F$ (V)		Luminous Intensity $I_V$ ( $\mu$ cd)			
						typ	max	min	typ		
MAN6160E	Common Anode; RHDP	[REDACTED]	697	White	Grey	2.1	2.8	300	700		
MAN6180E	Common Cathode; RHDP										
MAN6460E	Common Anode; RHDP		570	White	Grey	2.1	2.8	800	2200		
MAN6480E	Common Cathode; RHDP										
MAN6960E	Common Anode; RHDP		635	Red	Red	2.0	2.8	900	2200		
MAN6980E	Common Cathode; RHDP										

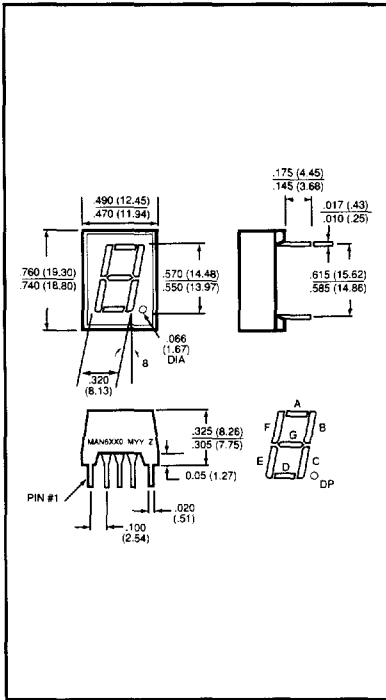


Part Number	Notes
MAN6180E	4, 24
MAN6460E	4, 24
MAN6480E	4, 24
MAN6960E	4, 24
MAN6980E	4, 24



## NUMERIC SEGMENTED DISPLAYS

<b>0.56" Frame Displays</b>									
Part Number	Description	Source Color	Wave-length $\lambda$ (nm)	Segment Color	Face Color	Forward Voltage $V_F$ (V)		Luminous Intensity $I_V$ ( $\mu$ cd)	
						typ	max	min	typ
MAN6760	Common Anode; RHDP		660	Red Diffused	Black	1.6	2.0	125	350
MAN6780	Common Cathode; RHDP								
MAN6960	Common Anode; RHDP		635	Red Diffused	Red	2.2	2.5	510	2200
MAN6980	Common Cathode; RHDP								
MAN6460	Common Anode; RHDP		562	White Diffused	Grey	2.2	3.0	750	3300
MAN6480	Common Cathode; RHDP								
MAN6660	Common Anode; RHDP		660	Orange Diffused	Orange	2.2	2.5	510	2200
MAN6680	Common Cathode; RHDP								
MAN6060	Common Anode; RHDP		660 660	White Diffused	Grey	1.6	2.0	400	700
MAN6080	Common Cathode; RHDP								
MAN6260	Common Anode; RHDP	2.0				3.0	9100	15000	
MAN6280	Common Cathode; RHDP								



	Part Number	Notes
	MAN6760	5, 24
	MAN6780	5, 24
	MAN6960	5, 24
	MAN6980	5, 24
	MAN6460	5, 24
	MAN6480	5, 24
	MAN6660	5, 24
	MAN6680	5, 24
	MAN6060	1, 24
	MAN6080	1, 24
	MAN6260	4, 24
	MAN6280	4, 24

**Notes:**

- 1.  $V_F$  &  $I_V$  @  $I_F = 1$  mA
- 4.  $V_F$  &  $I_V$  @  $I_F = 20$  mA
- 5.  $V_F$  @  $I_F = 20$  mA;  $I_V$  @  $I_F = 10$  mA
- 24. MANXXX represents the product part number, MYY is the date code, Z refers to the light intensity category for the product.  
HER = High Efficiency Red.