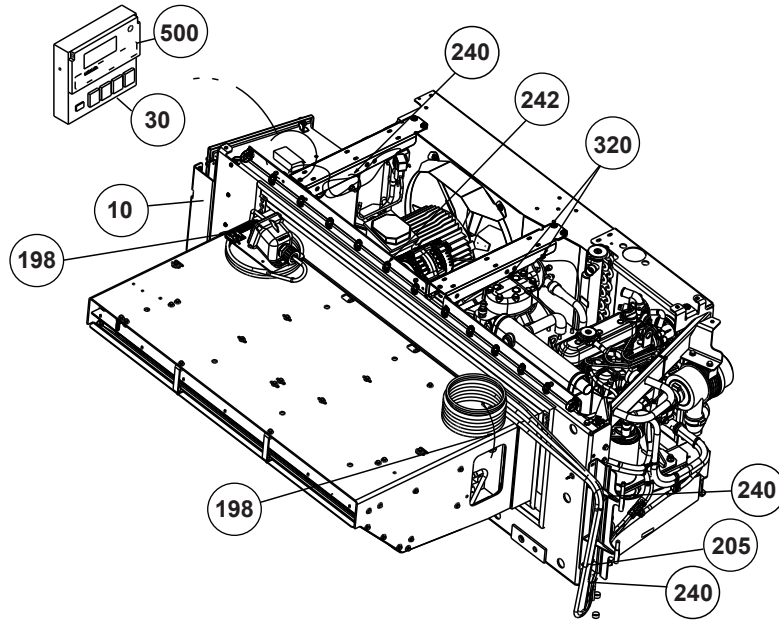
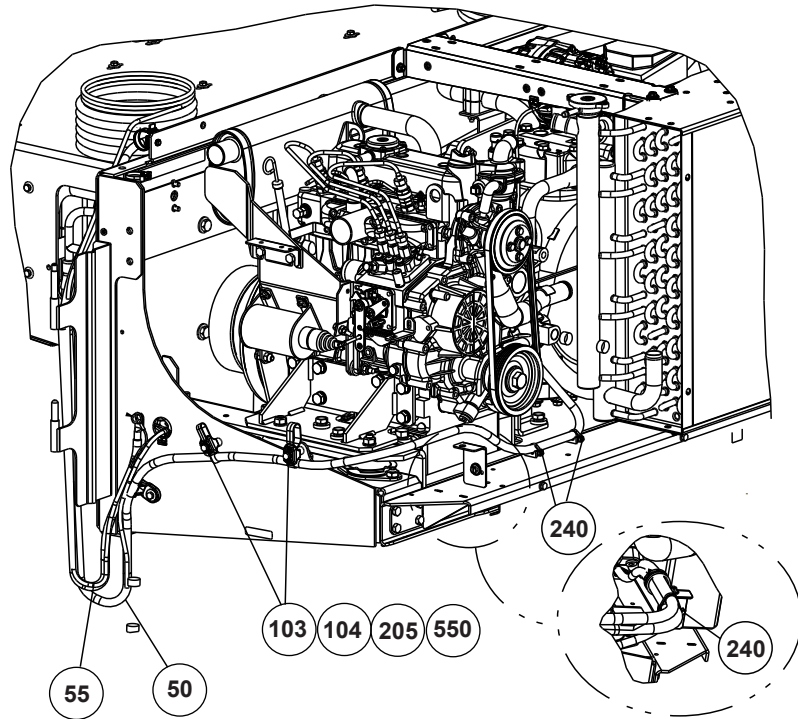
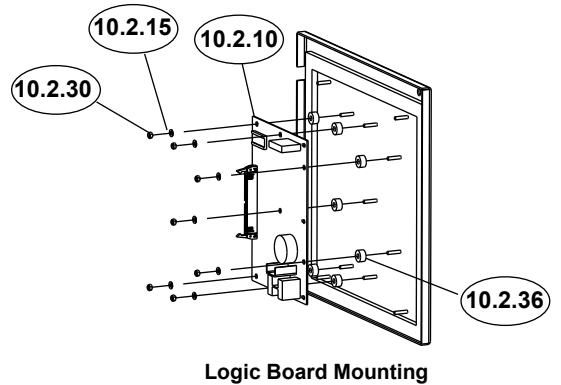
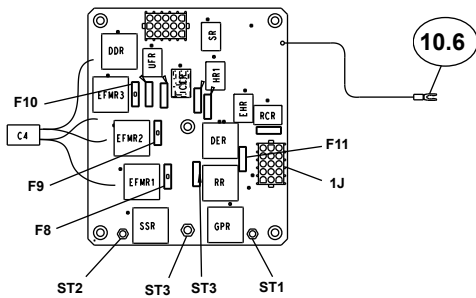
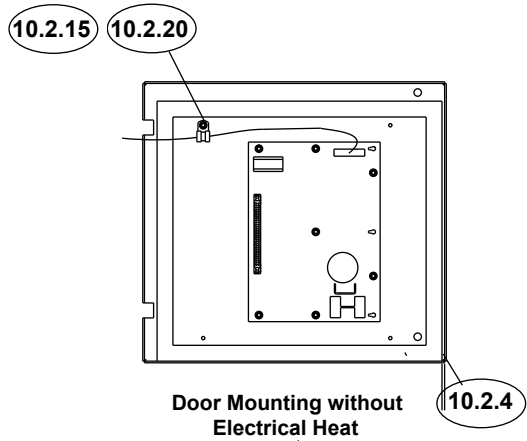
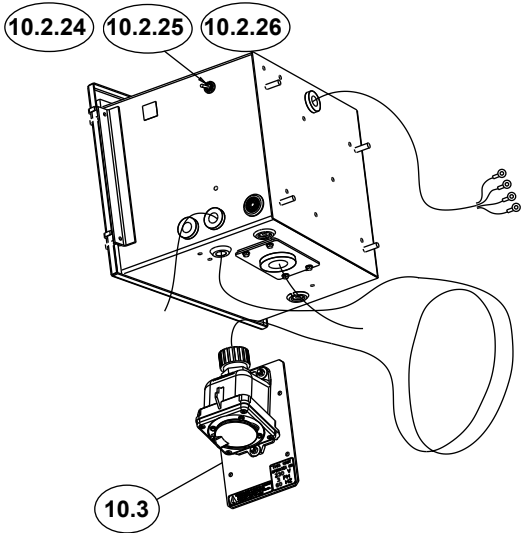
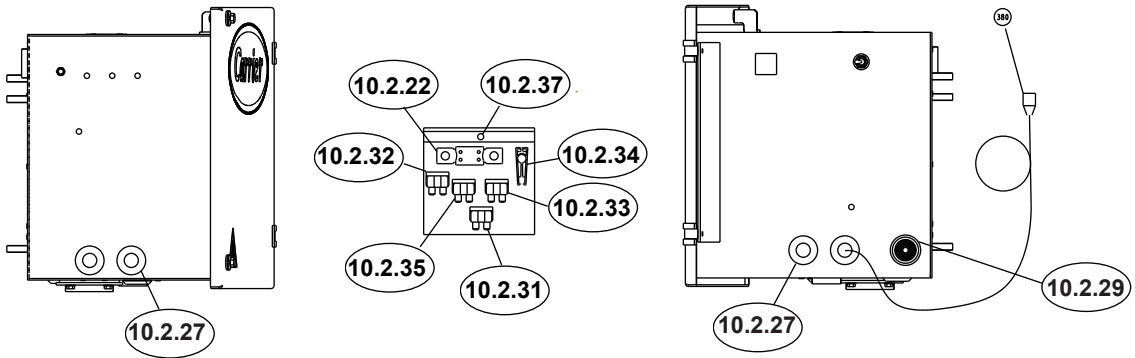
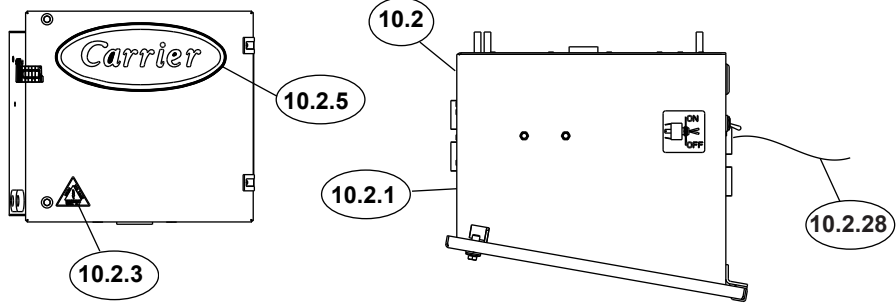
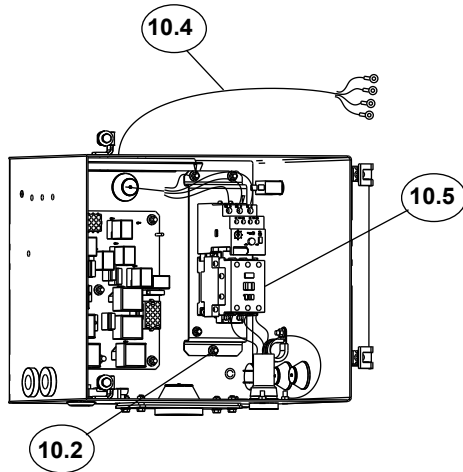


Electrical Kit (with standby)

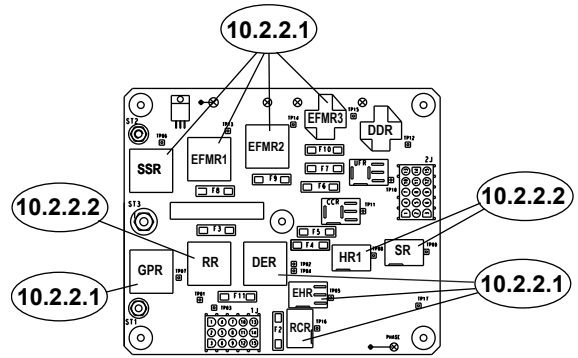




**Electrical Kit (with standby)**

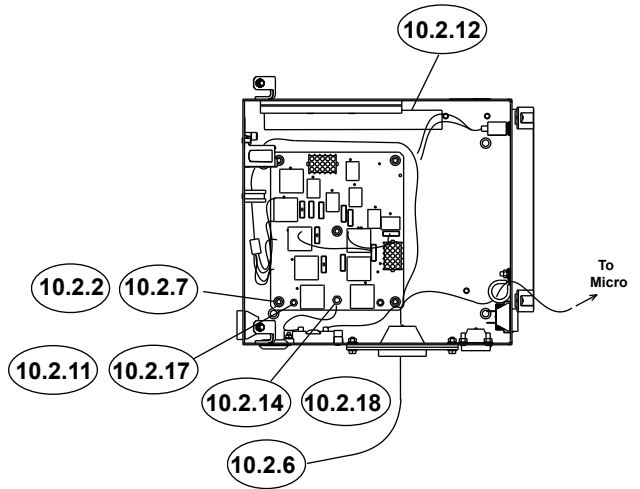
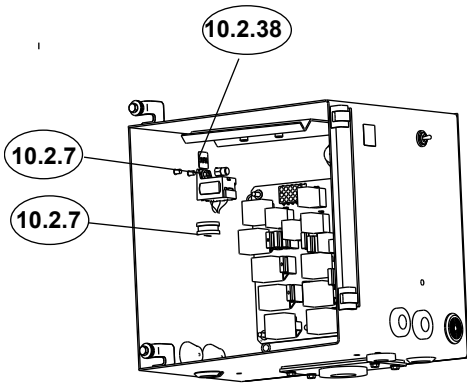


**Standby Harness Routing**

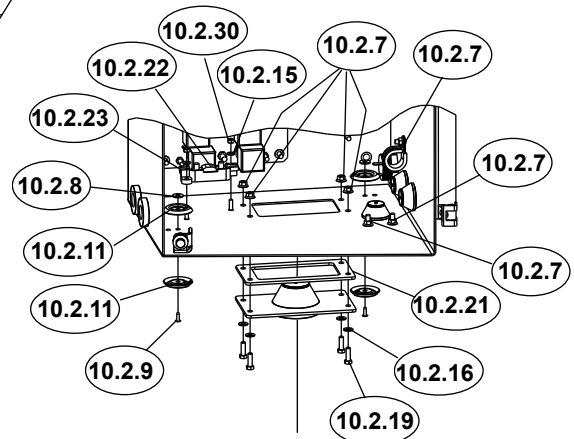
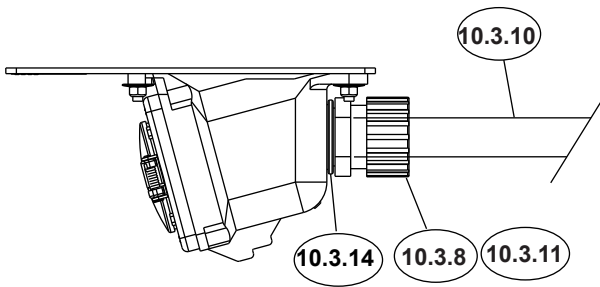


**10.2.2.3 4-Pin Connector, C4**

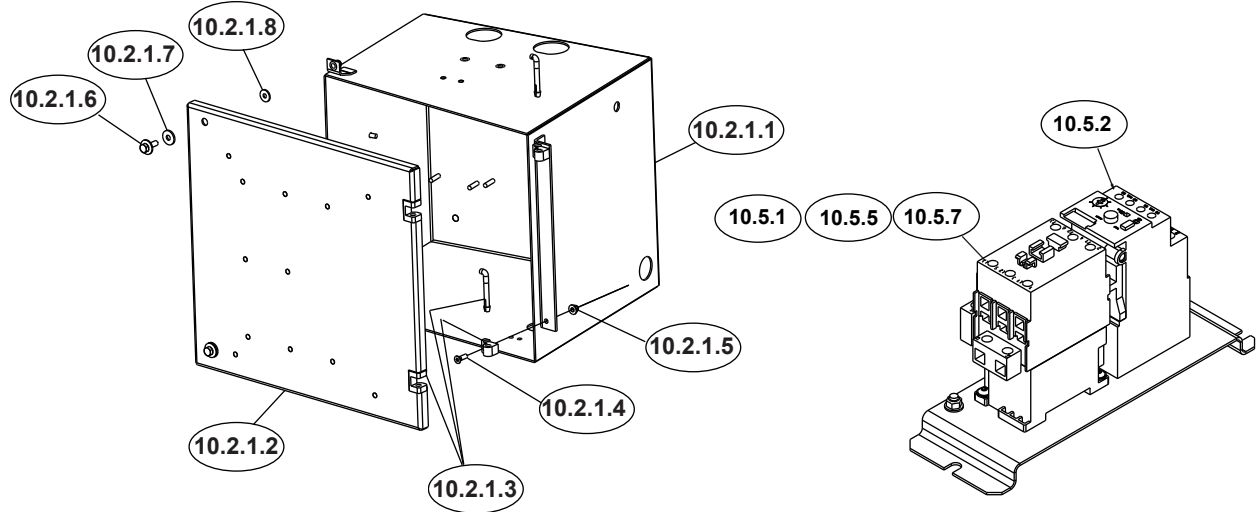
**10.2.2 Relay and Fuse Circuit Board**



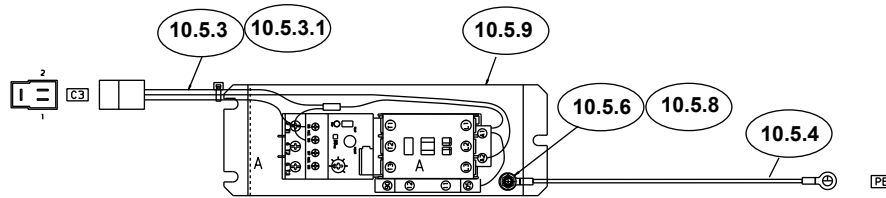
**Main Harness Routing**



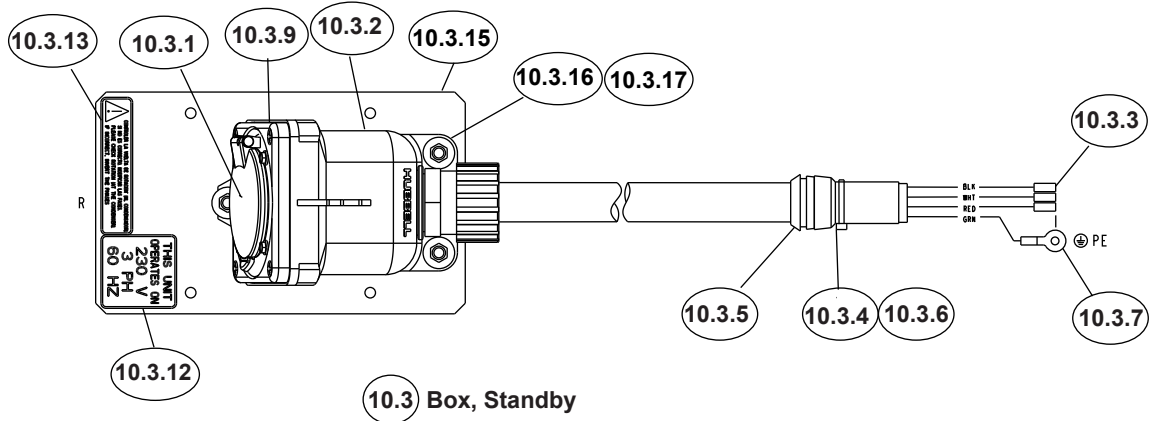
## Electrical Kit (with standby)



10.2.1 Control Box Assembly

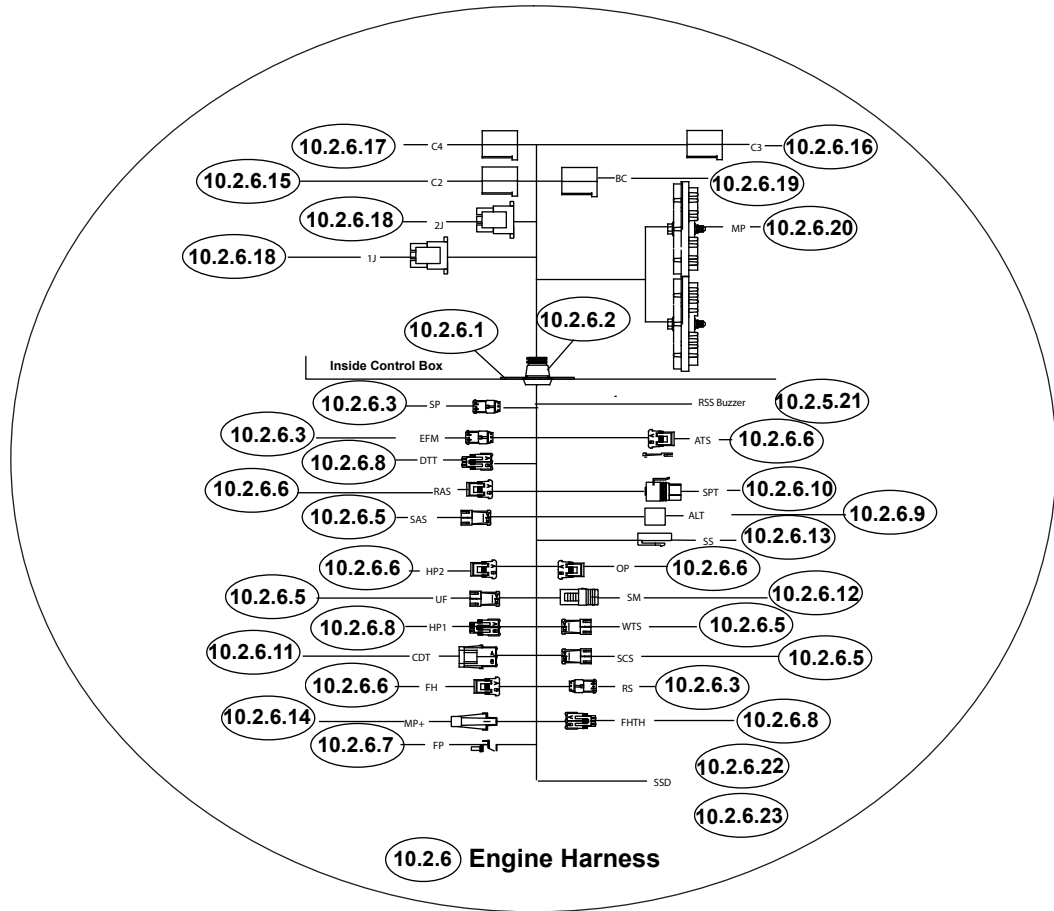


10.5 Panel Assembly



10.3 Box, Standby

**Electrical Kit (with standby)**



Item Number	Part Number	Part Description	Quantity
10	91-01190-70	Control Box Assembly	1
10.1	34-60089-05	Nut, Lock, M5 Twolock	3
10.2	91-01190-12	Base, without Electric Heat	1
10.2.1	79-02376-03	Box Assembly, Control Box	1
10.2.1.1	86-03187-01	Control Box Assembly, Welded	1
10.2.1.2	68-08160-01	Door, Control Box	1
10.2.1.3	44-00356-00	Hinge, Two Piece Plastic	2
10.2.1.4	34-60236-16	Screw, M5 x 16mm, 0.62 Long	2
10.2.1.5	34-60235-00	Nut, Lock, M5	2
10.2.1.6	34-60068-20	Screw, Captive Washer, M6 x 20mm Long	2
10.2.1.7	58-60306-06	Washer, Nylon, M6 - 18	2
10.2.1.8	58-60306-05	Washer, Nylon, M5 - 15	2
10.2.2	12-00460-06	Circuit Board, Relay and Fuse	1
10.2.2.1	10-00286-21	Relay, DER, EFMR1, EFMR2, EFMR3, GPR, RR, SSR	7
10.2.2.2	10-00385-04	Relay, HR1, RCR, SR	3
10.2.2.3	22-60254-08	Connector, 4-Pin, C4	1
10.2.2.4	22-02336-00	Fuse, 30A, F8, F9, F10	3
10.2.2.5	22-02336-02	Fuse, 5A, F2, F4, F11	3
10.2.2.6	22-02336-04	Fuse, 10A, F5	1
10.2.2.7	22-02336-06	Fuse, 15A, F3	1
10.2.3	62-02138-00	Decal, Warning, High Voltage	1
10.2.4	42-00715-01	Gasket, Door, Control Box	1
10.2.5	62-11144-00	Decal, Carrier	1
10.2.6	22-02984-00	Harness, Engine	1
10.2.6.1	68-08126-00	Bracket, Grommet	1
10.2.6.2	58-60298-05	Grommet, 26 to 35mm Diameter Cable	1
10.2.6.3	22-50078-05SV	Connector, 3-Wire, SP, EFM, RS	3
10.2.6.5	22-50078-01SV	Connector, 2-Wire, 3WV, UF, WTS, SAS, SCS	5
10.2.6.6	22-50078-02SV	Connector, 2-Wire, ATS RAS, HP2, OP, FH	5
10.2.6.7	22-50078-63SV	Connector, 1-Wire, DDS, FP	2
10.2.6.8	22-01585-00SV	Connector, 2-Wire, DTT, HP1, FHTH	3
10.2.6.9	12-60004-00	Module, Resistor/Diode, Alternator	1
10.2.6.10	22-04187-10	Connector, 3-Wire, SPT	1
10.2.6.11	22-02392-00SV	Connector, 2-Wire, CDT	1
10.2.6.12	22-50078-30SV	Connector, 1-Wire, SM	1
10.2.6.13	22-50098-06SV	Connector, 1-Wire, SS	1
10.2.6.14	22-50078-64SV	Connector, 1-Wire, MP+	1
10.2.6.15	22-60254-04	Connector, 2-Wire, C2	1
10.2.6.16	22-60254-06	Connector, 3-Wire, C3	1
10.2.6.17	22-60254-09	Connector, 4-Wire, C4	1
10.2.6.18	22-60300-12	Connector, 15-Wire, 1J, 2J	2
10.2.6.19	22-60275-21	Connector, 2-Wire, BC	1
10.2.6.20	22-50099-01	Connector, 60-Wire, MP	1
10.2.6.21	22-50099-44	Connector, 1-Wire, RSS, Buzzer	4
10.2.6.22	22-50078-21	Connector, 1-Wire, SSD	1
10.2.6.23	22-50078-07	Connector, 1-Wire, SSD	1

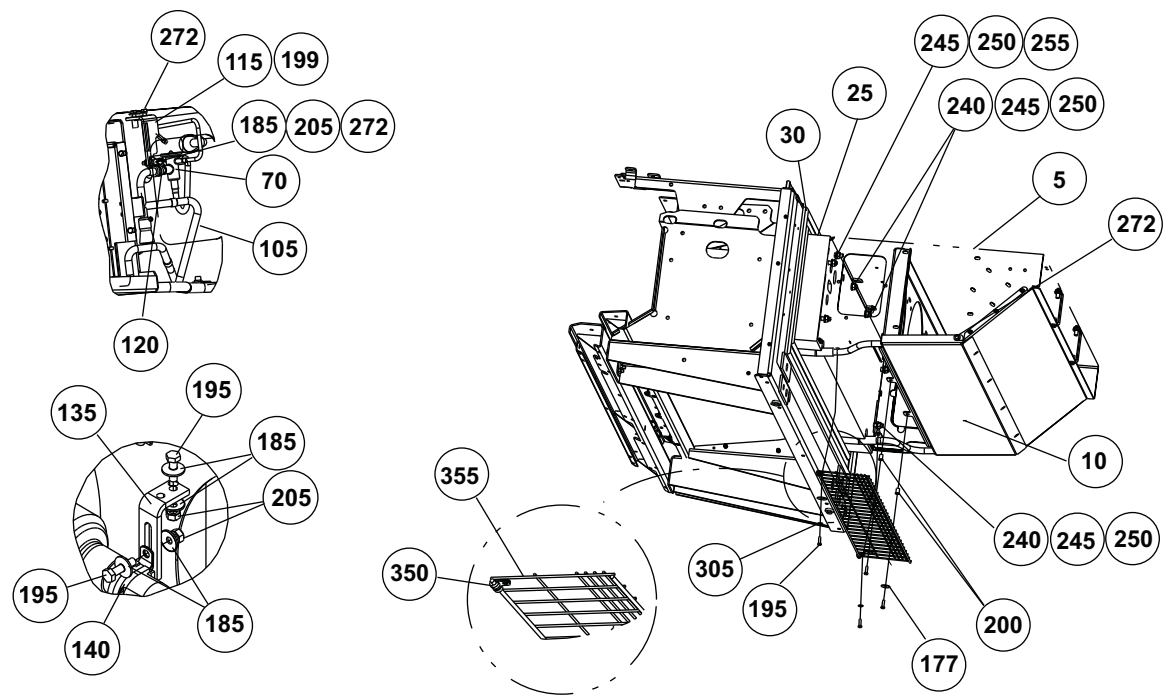
Item Number	Part Number	Part Description	Quantity
10.2.7	34-60089-05	Nut, Lock, M5 Twolock	12
10.2.8	34-00366-09	Washer, Plain, #10	2
10.2.9	34-00774-04	Rivet, Blind, 0.188 Diameter, 0.250 - 0.500	2
10.2.10	12-00649-47	Logic Board, Micro	1
10.2.11	58-00660-00	Washer, Condensate Drain	4
10.2.12	62-04135-00	Lamination, Schematic	1
10.2.13	34-00946-105	Nut, Hex, M5	2
10.2.14	34-00946-106	Nut, Hex, M6	1
10.2.15	34-01151-04	Washer, Flat, M5	10
10.2.16	34-01151-05	Washer, Flat, M6	4
10.2.17	34-01327-05	Washer, Lock, M5 Spring	2
10.2.18	34-01327-06	Washer, Lock, M6 Spring	1
10.2.19	34-60000-16	Screw, Mach. Hex Head, M5 x 16MM	4
10.2.20	34-00373-01	Clamp, Tube, .25 Diameter	1
10.2.21	42-60082-00	Gasket, Control Box	1
10.2.22	22-60340-04	Fuse, Midifuse 80A, F1	2
10.2.23	22-60599-00	Fuse Holder, Midival	1
10.2.24	10-01129-15	Switch, Toggle, 1-Pole, Off/On	1
10.2.25	42-00583-00	Seal, Panel Bushing	1
10.2.26	58-60306-13	Washer, Nylon, M12 x 2.4 Thick x 18 OD	1
10.2.27	58-04842-04	Grommet	3
10.2.28	22-02964-00	Cable Assembly, Cab Command, 10M	1
10.2.29	10-00375-02	Buzzer, Warning	1
10.2.30	34-01184-04	Nut, Lock, M4 Nylock	17
10.2.31	22-02336-02	Fuse, 5A, F2, F4, F6, F11	4
10.2.32	22-02336-06	Fuse, 15A, F3, F7	2
10.2.33	22-02336-00	Fuse, 30A, F8, F9, F10	3
10.2.34	22-02336-50	Fuse, Removal Tool	1
10.2.35	22-02336-04	Fuse, 10A, F5	1
10.2.36	58-00836-18	Spacer, Nylon	7
10.2.37	58-00079-02	Sta-Strap, Nylon	3
10.2.38	62-60223-28	Decal, SUFR	1
10.3	91-01186-00	Box Assembly, Standby, 208 - 230V	1
10.3.1	22-02955-00	Receptacle, 230V, 50A, 3-Phase	1
10.3.2	22-02937-00	Box, Conduit	1
10.3.3	22-02324-02	Bushing, 0.177 ID x 0.59, 8 AWG	7
10.3.4	22-04183-01	Heat Shrink, 1.00 ID, Black	1
10.3.5	58-04842-05	Grommet, Tap	1
10.3.6	58-00079-02	Sta-Strap, 0 - 1.75 Diameter Cable	1
10.3.7	22-50122-41	Terminal, Ring, #10, 8 - 10 AWG	1
10.3.8	22-02343-06	Connector, 1 NPT	1
10.3.9	22-02954-00	Adapter, Receptacle, Inlet	1
10.3.10	66-U---1--9782-1	Cable, 8/4, SO, Black, 90°C	16.88
10.3.11	34-06136-02	Nut, Lock, 1.00 NPT	1
10.3.12	62-02255-00	Decal, Voltage, 230V	1
10.3.13	62-03914-00	Decal, Check Rotation	1
10.3.14	66-U---1--1251-3	O-Ring, 1.00, Hub Sealing	1
10.3.15	68-08332-01	Bracket	1
10.3.16	34-60002-56	Washer, M6, Belleville	3
10.3.17	34-01184-06	Nut, Lock, M6, Nylock	3

Item Number	Part Number	Part Description	Quantity
10.4	22-02989-00	Cable Assembly, Standby Motor	1
10.5	91-01185-00	Panel Assembly, Standby	1
10.5.1	10-00433-11	Contactor, 43A	1
10.5.2	10-00473-06	Overload, 9 to 45A	1
10.5.3	22-02952-00	Harness, MC/OL, Control	1
10.5.3.1	22-60254-07	Connector, 3-Pin, C3	1
10.5.4	22-02953-00	Wire, Ground	1
10.5.5	34-06330-12	Screw, M4 x 12LG, Socket, HD	2
10.5.6	34-01184-05	Nut, Lock, M5, Nylock	1
10.5.7	34-00944-04	Washer, Flat, M4	2
10.5.8	34-00944-05	Washer, M5, Flat	1
10.5.9	68-08383-00	Panel Assembly, Standby	1
10.6	22-60241-03	Terminal, Pin, 1.5mm, Wire	1
30	12-00325-02	Cab, Command, Micro Control	1
35	22-60030-00	Harness, Info-Start	1
35.1	22-50078-63SV	Connector, 1-Wire	1
37	22-02907-00	Harness, + Micro	1
40	22-02973-05	Harness Assembly, RAS	1
40.1	12-00500-04	Sensor, Thermistor	1
40.2	22-50078-01SV	Connector, 2-Wire	1
50	22-02941-00	Cable, Battery, Positive, Red	1
55	22-02941-01	Cable, Battery, Negative, Black	1
62	22-02983-02	Harness, Alt. B+	1
75	22-02979-02	Harness, Fuel Pump	1
75.1	22-01585-00SV	Connector, 2-Wire	1
75.2	22-50078-64SV	Connector, 1-Wire	1
90	34-01153-35	Screw, Cap, Hex Head, M8 x 35mm, 1.378	1
93	34-01152-20	Screw, Cap, Hex Head, M6 x 20mm, 0.787	4
95	34-01184-58	Nut, Lock, M8 Nylock	3
97	34-01184-106	Nut, Lock, M6 Nylock	3
100	34-01184-05	Nut, Lock, M5 Nylock	2
103	34-00944-06	Washer, Flat, M6	2
104	34-00945-06	Washer, Lock, M6	2
105	34-00946-56	Nut, Hex, M6 - 1.0, 0.236	1
110	34-01153-20	Screw, Cap, Hex Head, M8 x 20mm, 0.787	1
120	34-60095-27	Washer, Lock, M6 x 14mm	6
122	34-60095-46	Washer, Lock, M6 x 18mm	1
125	34-00372-123	Washer, Lock, M8 External Tooth	4
128	34-60002-06	Washer, M6, Bellville	1
130	34-60002-08	Washer, M8, Belleville	5
133	34-00946-08	Nut, Hex, M8 - 1.25	1
135	34-00946-58	Nut, Hex, M8 - 1.25	1
137	34-01197-10	Screw, Cap, Hex Head, M4 x 10mm, 0.394	2
138	34-60095-24	Washer, Lock, M4 x 10mm	2
140	34-00366-12	Washer, Plain, 5/16	3
160	34-00876-25	Screw, Cap, Hex Head, M8 x 25mm, 0.98	1
163	34-01266-20	Screw, Hex Head Sems. M6 x 20mm	2

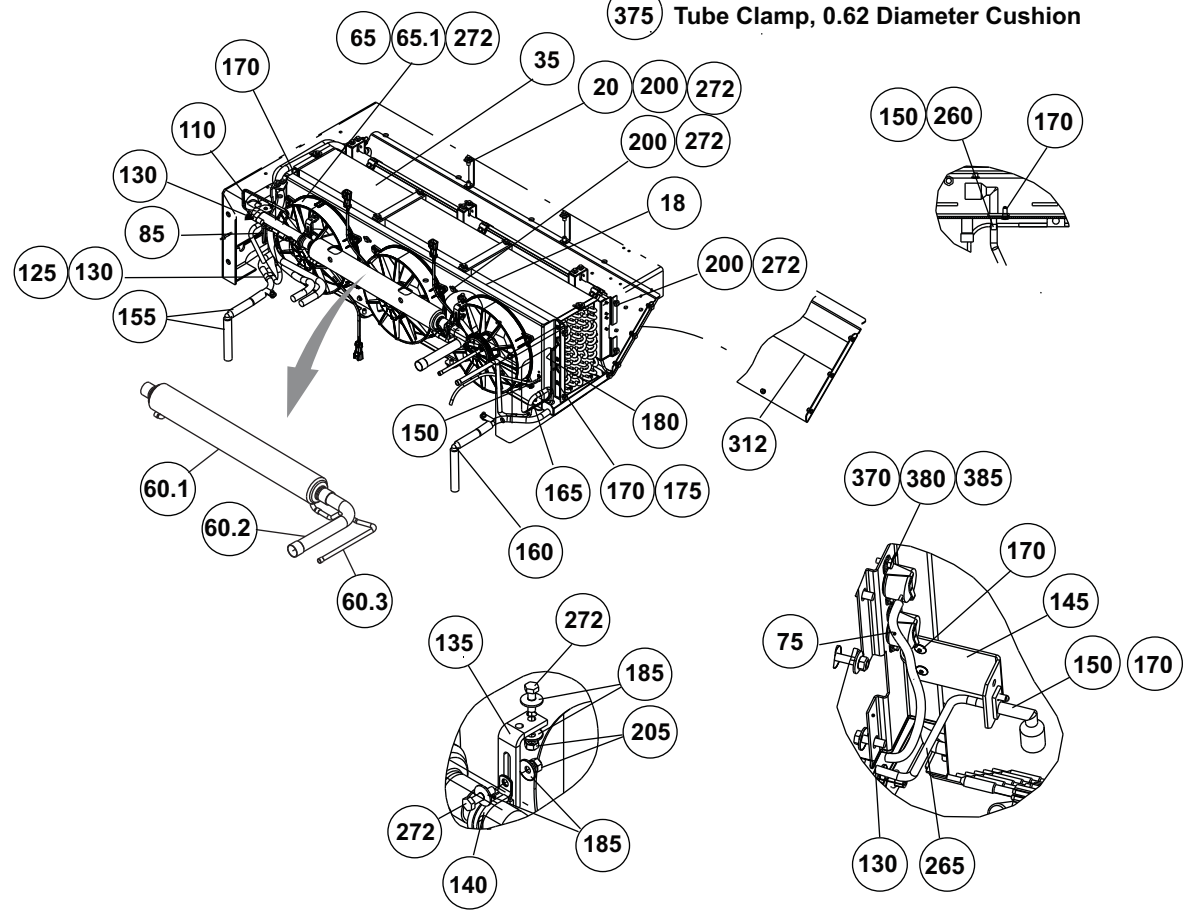


Item Number	Part Number	Part Description	Quantity
168	58-05099-02	Sta-Strap	1
198	58-00079-00	Sta-Strap, Cable Clamp, 0 - 4.00 Diameter	28
205	58-05078-00	Sta-Strap	3
220	34-00373-05	Clamp, Tube, 0.50 Diameter, Cushioned	2
240	58-00079-02	Sta-Strap, Cable Clamp, 0 - 1.75 Diameter	16
242	58-05100-00	Sta-Strap	11
250	34-01152-35	Screw, Cap, Hex Head, M6 x 35mm, 1.378	2
265	34-06048-00	Rivet, 0.187 Diameter, 0.187 - 0.375	2
320	44-60150-02	Clip, Harness Retainer	4
325	44-60163-00	Base, Tie Wrap	1
326	58-05100-03	Sta-Strap	5
330	22-01637-00	Harness, ATS	1
330.1	12-01104-05	Sensor, Thermistor	1
330.2	22-50078-01SV	Connector, 2-Wire	1
350	68-60274-00	Bracket	1
500	62-04170-00	Decal, Cab Command	1
505	34-00372-122	Washer, Lock, M6 External Tooth	2
510	34-01152-40	Screw, Cap, Hex Head, M6 x 40mm, 1.575	1
540	34-60201-03	Nut, Hex, M8	1
545	34-00967-30	Screw, Cap, Hex Head, M6 x 30mm	1
550	34-00967-50	Screw, Hex Head, M6 x 50mm	2
655	30-00006-00	Cable, Braided, Ground	1.337
660	30-00007-00	Terminal, Ring, 5/16 Stud, #6 AWG	4

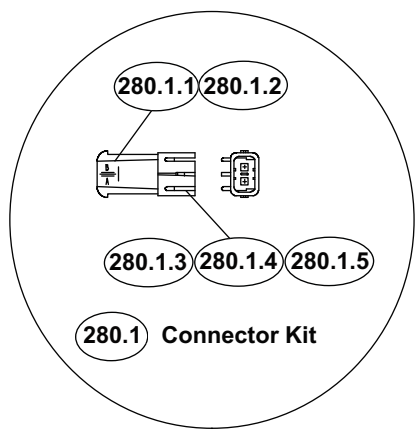
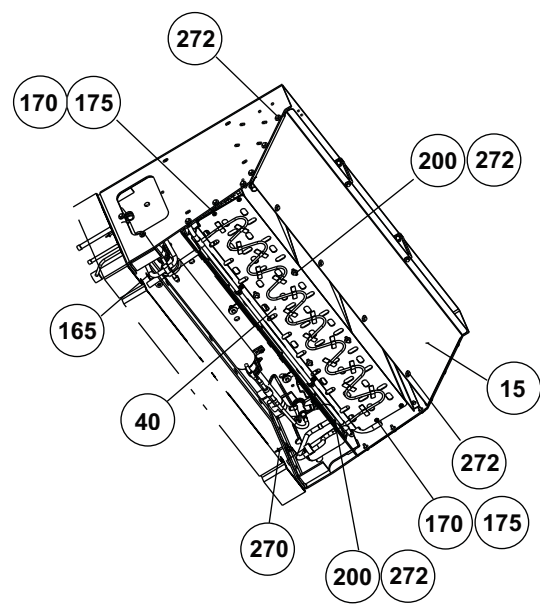
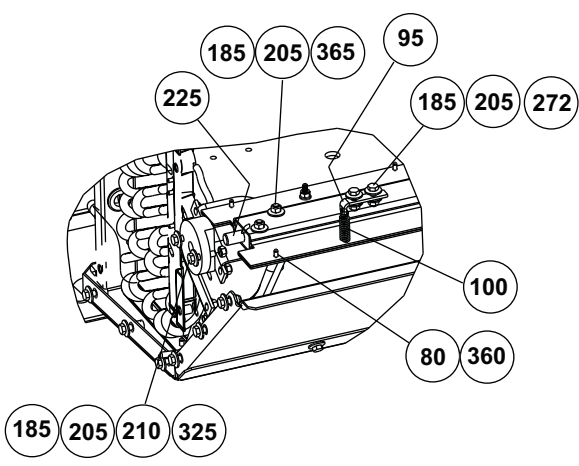
# Evaporator Kit



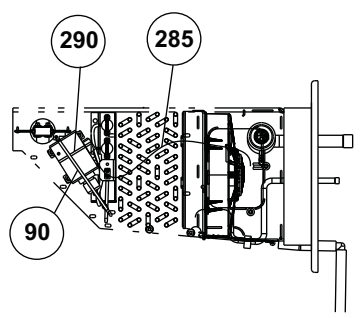
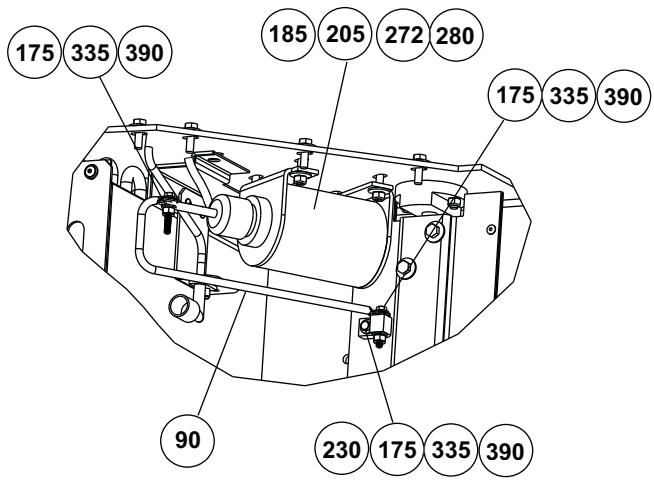
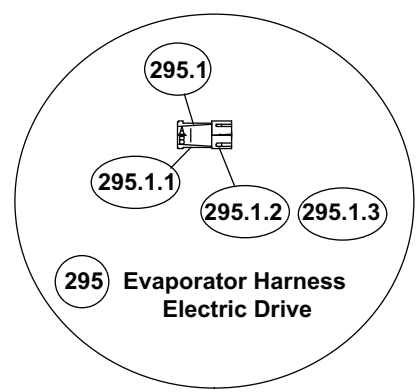
375 Tube Clamp, 0.62 Diameter Cushion



# Evaporator Kit



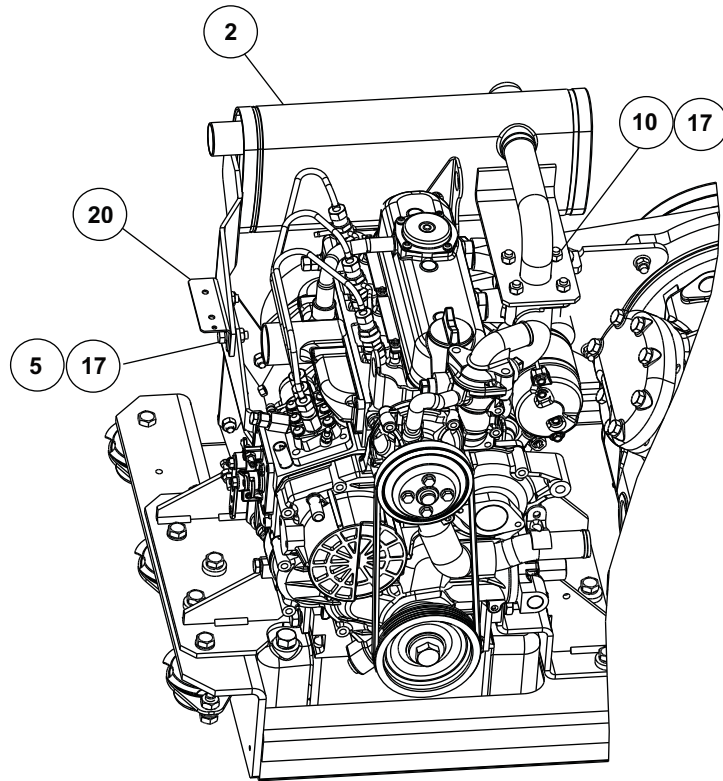
**375 Tube Clamp, 0.62 Diameter Cushion**



Item Number	Part Number	Part Description	Quantity
		Evaporator Kit - Includes:	
5	86-03210-00	Wrapper Assembly	1
10	86-03206-00	Drain Pan Assembly	1
15	67-60023-00	Drain Pan Assembly	1
18	68-08427-00	Fan Deck	1
20	68-60296-00	Bracket, Wrapper Support	2
25	58-60165-01	Bulkhead	1
30	42-01216-02	Gasket, Evaporator, Bulkhead	1
35	08-01066-00	Coil, Evaporator	1
40	86-03207-00	Plate Assembly, Hot Gas	1
60	81-02620-00	Tube Assembly, Heat Exchanger - Includes:	1
60.1	08-60040-00	Heat, Exchanger	1
60.2	56-06486-24	Tube, Formed, 1-1/8 OD, Copper	1
60.3	56-03879-00	Tube, Liquid, 3/8 OD, Copper	1
65	54-00673-00	Fan Motor Assembly - Includes:	3
65.1	22-50078-02	Connector, 2-Pin	1
70	14-00273-14	Valve, Expansion, Hermetic Liquid	1
75	22-60002-02	Harness, Klixon - Includes:	1
75.1	22-50078-08	Connector, Male, 3-Wire, EFM - Includes:	1
75.1.1	22-50078-08A	Lock, Secondary	1
75.1.2	22-50078-47E	Terminal, Female, 14-16 GA	3
75.1.3	22-02394-03	Seal, Cable, Purple	3
80	68-60310-01	Blade, Damper	2
85	56-03958-00	Tube, Liquid, 3/8 OD, Copper	1
90	68-60311-00	Rod, Linkage	1
95	68-11266-00	Eyelet, Shutter	1
100	73-60005-00	Spring, Speed Control	1
105	56-04067-00	Tube, Defrost, 1/2 OD, Copper	1
110	56-03948-00	Tube, Equalizer, 1/4 OD, Copper	1
115	68-61890-00	Angle, TXV Support	1
120	34-00373-05	Clamp, Tube, 0.50 Diameter, Cushioned	1
125	14-00273-20	Clamp, Banding, TXV Bulb Strap	2
130	42-00032-00	Insulation, Prestite	5
135	68-07142-01	Bracket, Mounting, Heat Exchanger	2
140	34-00373-65	Clamp, Tube, 1.12 Diameter, Cushioned	2
145	68-10745-01	Bracket, Mounting, Air Sensing Fitting	1
150	58-60297-00	Fitting, Air Sensing	2
155	58-00529-00	Hose, 5/8 ID	1.8333
160	58-01296-00	Elbow, Male Barbed	2
165	56-04068-00	Tube, Defrost, 1/2 OD, Copper	1
170	34-00928-13	Rivet, Blind, 0.187 Diameter, 0.126-0.250	9
175	34-60002-55	Washer, M5 Belleville	16
177	34-00662-20	Washer, Plain, 0.281 x 1.00	4
180	58-00065-66	Grommet, 0.56 x 0.81	2
185	34-60095-46	Washer, Lock, M6 x 18mm	27
195	34-01152-20	Screw, Cap, Hex Head, M6 x 20mm, 0.787	4
199	34-06051-135	Rivnut, M6	2

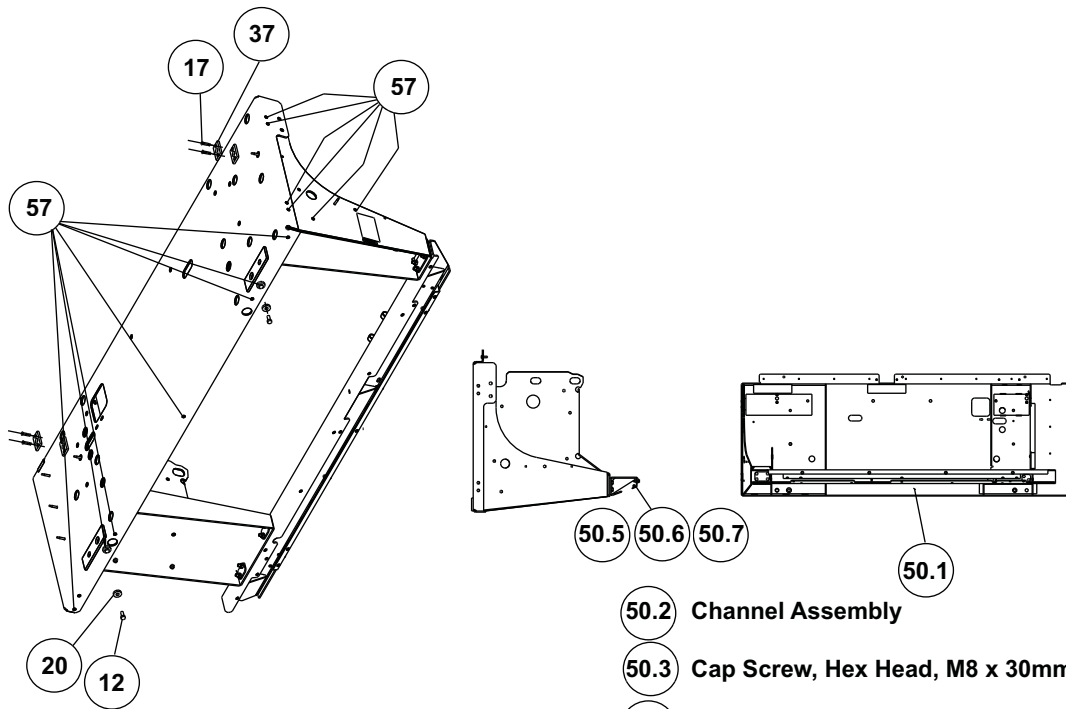
Item Number	Part Number	Part Description	Quantity
		Evaporator Kit - Includes:	
200	34-06051-200	Rivnut, M6	28
205	34-01184-106	Nut, Lock, M6 Nylock	17
210	34-01336-25	Screw, Cap, Hex Head, M6 x 25mm	4
225	48-60068-00	Shaft, Articulation	2
230	48-60069-00	Adapter, Linkage	1
240	34-01261-10110	Screw, Cap, Hex Head, M10 x 110mm, 4.331	2
245	34-01184-10	Nut, Lock, M10 Nylock	8
250	66-U---1--5321-17	Washer, Flat, 3/8	16
255	34-01261-10120	Screw, Cap, Hex Head, M10 x 120mm, 4.724	6
260	58-01149-00	Tube, Red, Vinyl Purchase Length	2.4
265	22-01100-00	Tube, Vinyl, 3/16 x 0.06 W	2.4
270	34-06048-00	Rivet, 0.187 Diameter, 0.187-0.375	2
272	34-60068-20	Screw, Captive Washer, M6 x 20mm	63
280	10-66810-00	Solenoid, 12 Volts, DC - Includes:	1
280.1	22-50078-02SV	Connector Kit - Includes:	1
280.1.1	22-50078-02	Connector, 2-Wire	1
280.1.2	22-50078-01A	Lock, Secondary	1
280.1.3	22-02394-02	Seal, Cable, Green	2
280.1.4	22-50078-47A	Terminal, Male	2
280.1.5	22-50078-47D	Terminal, Female	2
285	22-60255-00	Harness, Damper	1
290	58-00079-02	Sta-Strap, Cable Clamp, 0-1.75 Diameter	5
295	22-60001-00	Harness, Evap, Electric Drive - Includes:	1
295.1	22-50078-01SV	Connector Kit, EFM1, EFM2, EFM3 - Includes:	3
295.1.1	22-50078-01A	Lock, Secondary	3
295.1.2	22-50078-47A	Terminal, Male	6
295.1.3	22-02394-02	Seal, Cable, Green	6
305	34-60095-27	Washer, Lock, M6 x 14mm	2
312	42-01292-00	Foam Strip	1
325	58-60223-00	Bushing, Articulation	2
335	34-00795-09	Nut, Self-Locking, #10-32	3
350	34-00373-51	Clamp, Tube, 0.25 Diameter, Cushioned	2
355	73-00342-01	Grille, Evaporator	1
360	34-00928-09	Rivet, Blink, 0.156 Diameter	14
365	34-01152-35	Screw, Cap, Hex Head, M6 x 35mm	4
370	34-01197-10	Screw, Cap, Hex Head, M4 x 10mm	4
375	34-00373-07	Clamp, Tube, 0.62 Diameter, Cushion	1
380	34-06051-130	Rivnut, M4	4
385	34-60095-24	Washer, Lock, M4	4
390	34-00658-10	Screw, Machine Hex Head, #10-32	3

## Exhaust Kit

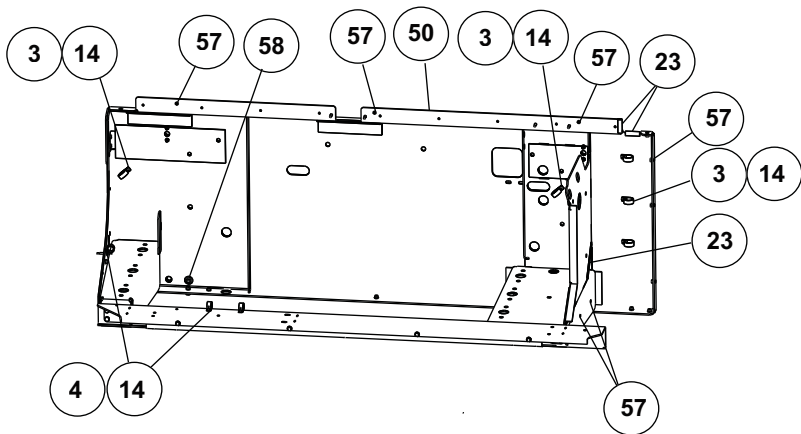


Item Number	Part Number	Part Description	Quantity
2	30-60051-01	Muffler, Exhaust	1
5	34-00876-20	Screw, Cap, Hex Head, M8 x 20mm, 0.79	2
10	34-00946-08	Nut, Hex, M8 x 1.25	4
17	34-60002-08	Washer, M8 Belleville	6
20	68-08425-00	Bracket	1

# Frame Kit



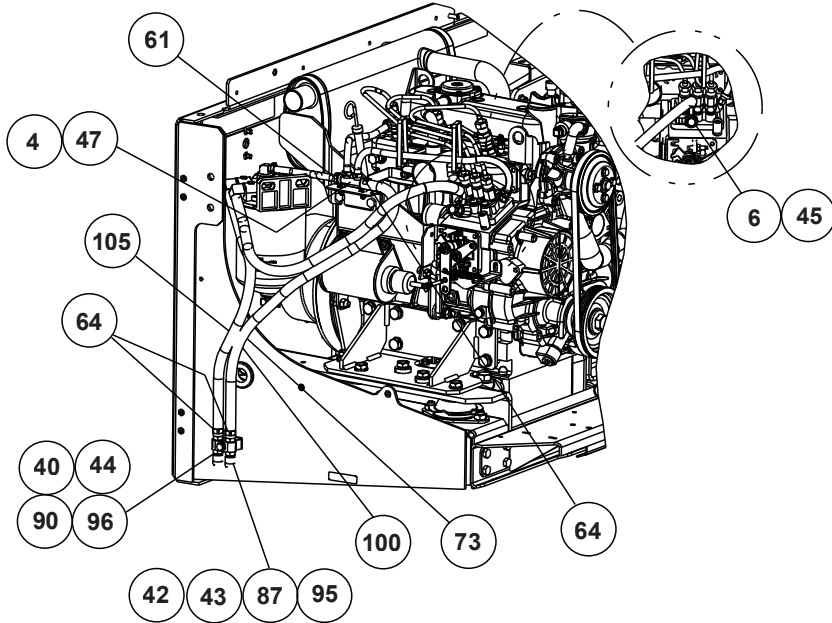
- 50.2 Channel Assembly
- 50.3 Cap Screw, Hex Head, M8 x 30mm, 1.18
- 50.4 Lock Nut, M8 Nylock
- 50.8 Plate
- 50.9 Plate
- 50 Frame Assembly



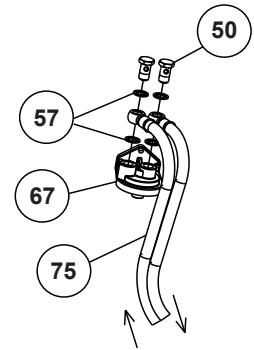
Item Number	Part Number	Part Description	Quantity
		Frame Kit, Supra 960 - Includes:	
3	44-01139-01	Clamp, Cable, 1.00 Diameter, Harness	2
4	44-01139-02	Clamp, Cable, 0.750 Diameter, Harness	3
12	34-00876-20	Screw, Cap, Hex Head, M8 x 20mm, 0.79	2
14	34-06048-00	Rivet, 0.187 Diameter, 0.187 - 0.375	4
17	34-01274-00	Rivet, Monobolt, 0.250 Diameter, 0.125 - 0.475	4
20	34-01249-21	Spacer, M10 x 25 OD x 6 Thick	2
23	42-00183-20	Trim, Flexible	0.8333
37	68-07486-00	Plate	2
50	79-02423-01	Frame Assembly - Includes:	1
50.1	86-03205-01	Frame Assembly, Weldment	1
50.2	86-03160-01	Channel Assembly	1
50.3	34-00876-30	Screw, Cap, Hex Head, M8 x 30mm, 1.18	8
50.4	34-01184-58	Nut, Lock, M8 Nylock	8
50.5	67-60303-01	Angle	1
50.6	34-60095-27	Washer, Lock, M6 x 14mm OD	4
50.7	34-01152-20	Screw, Cap, Hex Head, M6 x 20mm, 0.787	4
50.8	68-07663-00	Plate	2
50.9	68-07663-01	Plate	4
57	34-01314-25	Rivnut, M6	21
58	34-06051-107	Rivnut, M8	2



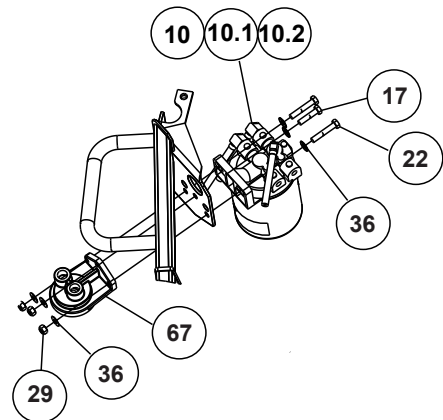
# Fuel System Kit



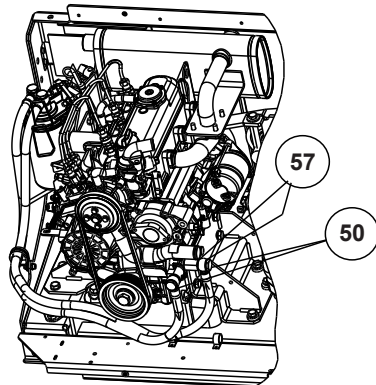
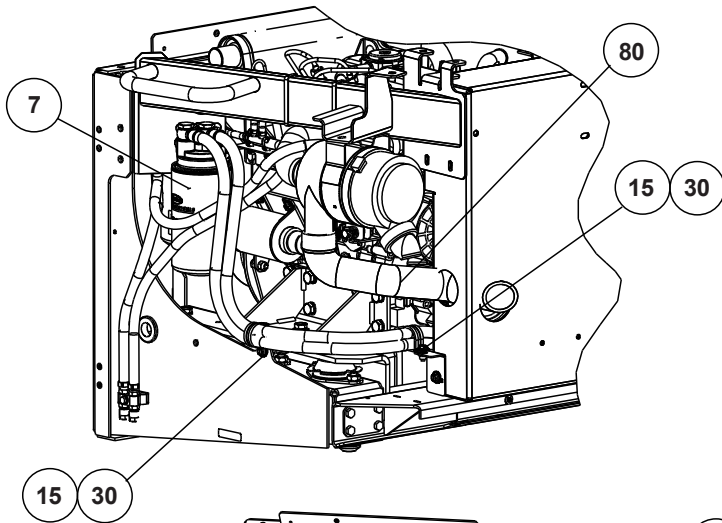
Fuel Line Routings



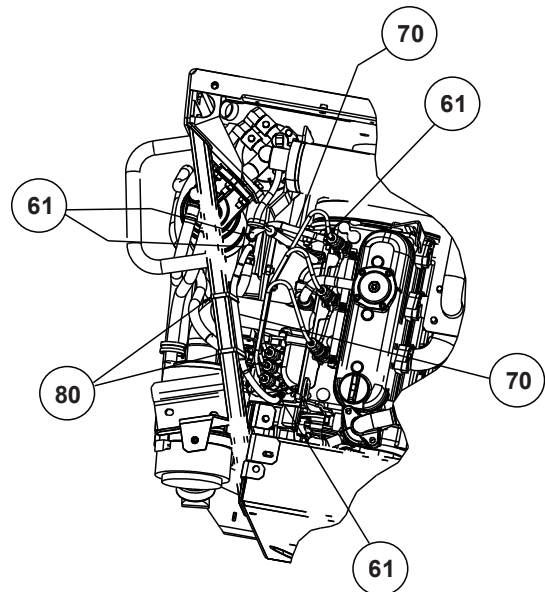
Oil Filter Head Detail



Filter Mounting Detail

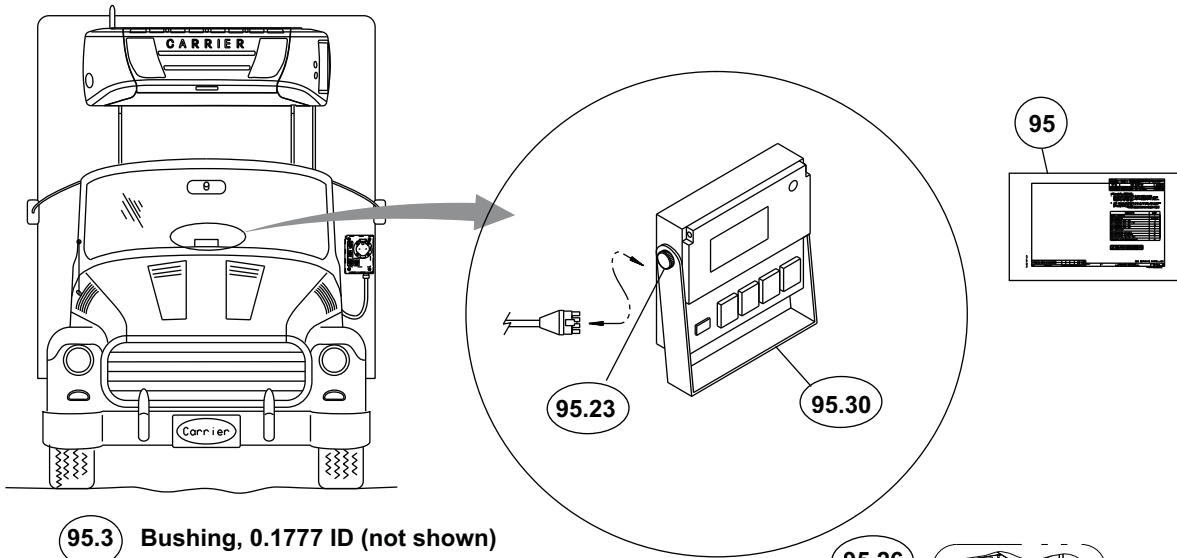


Oil Line Routings



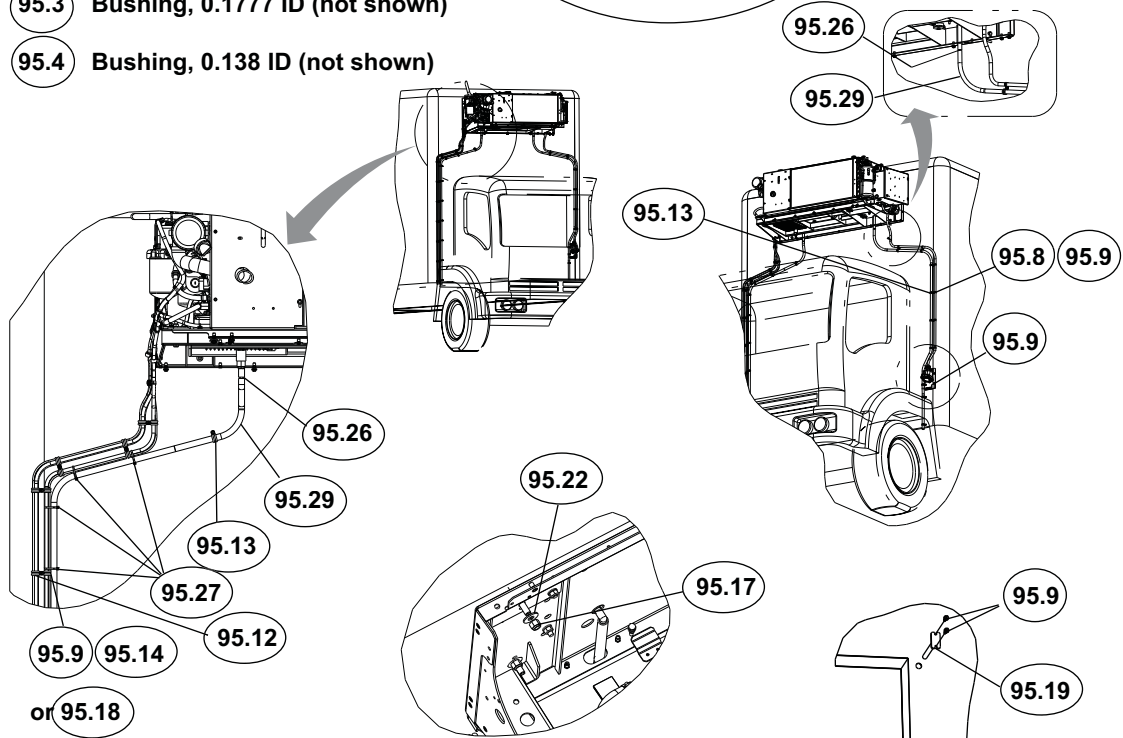
Item Number	Part Number	Part Description	Quantity
4	58-05100-00	Sta-Strap	2
6	25-34359-00	Washer, Crush	2
7	30-01121-00	Filter, Oil	1
10	30-01115-17	Filter Assembly, Fuel	1
10.1	30-01115-52	Filter Head, Fuel, with Fittings	1
10.2	30-01115-56	Fitting, Brass, Bleed with 0.023 Orifice	1
10.3	30-01090-05	Filter, Fuel	1
15	34-00373-17	Clamp, Tube, 1.25 Diameter, Cushioned	1
17	34-00876-35	Screw, Cap, Hex Head, M8 x 35mm, 1.38	1
22	34-00876-45	Screw, Cap, Hex Head, M8 x 45mm, 1.77	2
29	34-01184-58	Nut, Lock, M8 Nylock	3
30	34-01266-20	Screw, Hex Head, Sems, M6 x 20mm, Slotted	1
36	34-60002-08	Washer, M8 Belleville	6
40	40-01170-02	Fitting, Fuel Hose, 1/4 ID	1
42	40-01174-02	Fitting, Fuel Hose, 3/16 ID	1
43	40-01168-01	Nut, Compression, 1/4 OD	1
44	40-01168-02	Nut, Compression, 3/8 OD	1
45	40-60282-00	Fitting, Fuel-Line, Inlet	1
47	40-60073-00	Fitting, 4-Way, Fuel	1
50	30-60055-05	Bolt, Banjo, 16 x 150	4
57	42-60025-00	Seal, Bonded	8
61	44-00293-06	Clamp, Stepless, Ear, 7/16 Diameter	8
64	44-00293-08	Clamp, Stepless, Ear, 1/2 Diameter	3
67	48-60063-03	Filter Head, Mounting, Oil	1
70	58-00659-00	Hose, 3/16 ID, Fuel	1.75
73	58-04184-00	Hose, Fuel, 1/4 ID, Bulk Length	1.5833
75	58-60209-00	Hose Assembly, 7/16 OD x 44.29 Long	2
80	58-05099-00	Sta-Strap, Cable Clamp	9
87	40-00409-01	Sleeve, 1/2 Flexguard	1
90	40-00409-02	Sleeve, 1/2 Flexguard	1
95	40-01169-00	Compression Sleeve, 1/4 OD Tube	1
96	40-01169-01	Compression Sleeve, 3/8 OD Tube	1
100	58-01390-00	Tube, Fuel, 1/4 OD	25
105	58-01391-00	Tube, Fuel, 3/8 OD	25

# Mounting Kit - Units with Standby



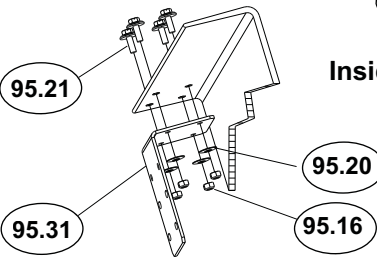
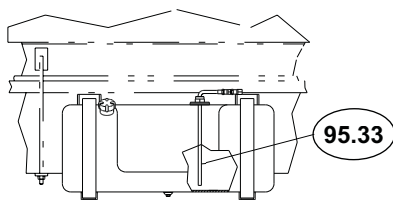
95.3 Bushing, 0.1777 ID (not shown)

95.4 Bushing, 0.138 ID (not shown)



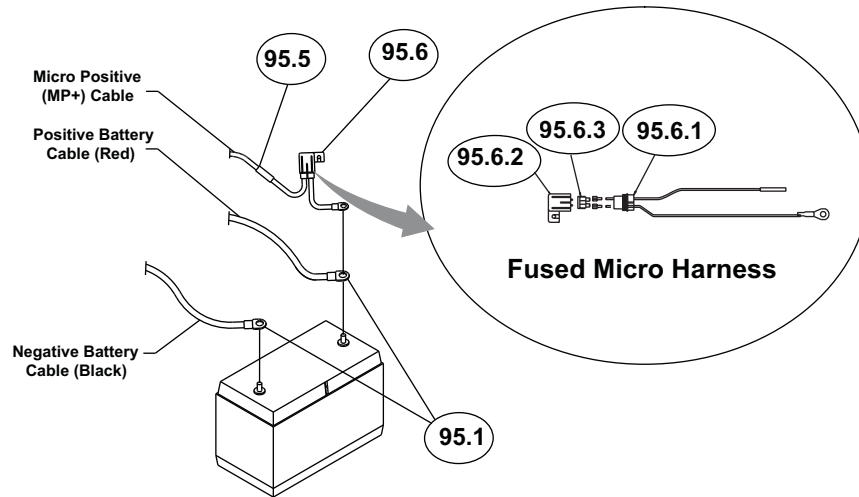
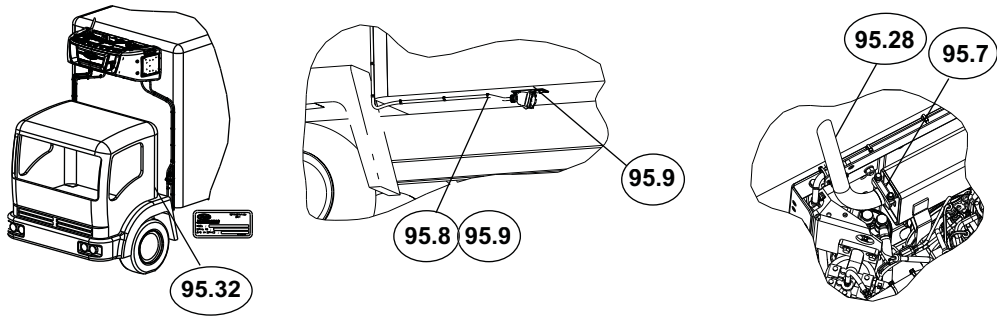
or 95.18

Inside Truck Body

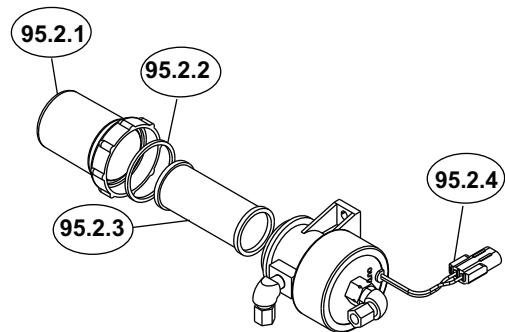


Fuel Pump Mounting Bracket

# Mounting Kit - Units with Standby

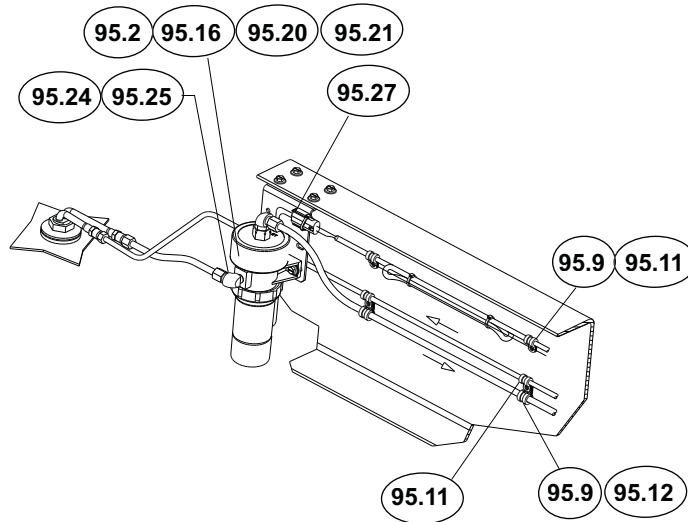
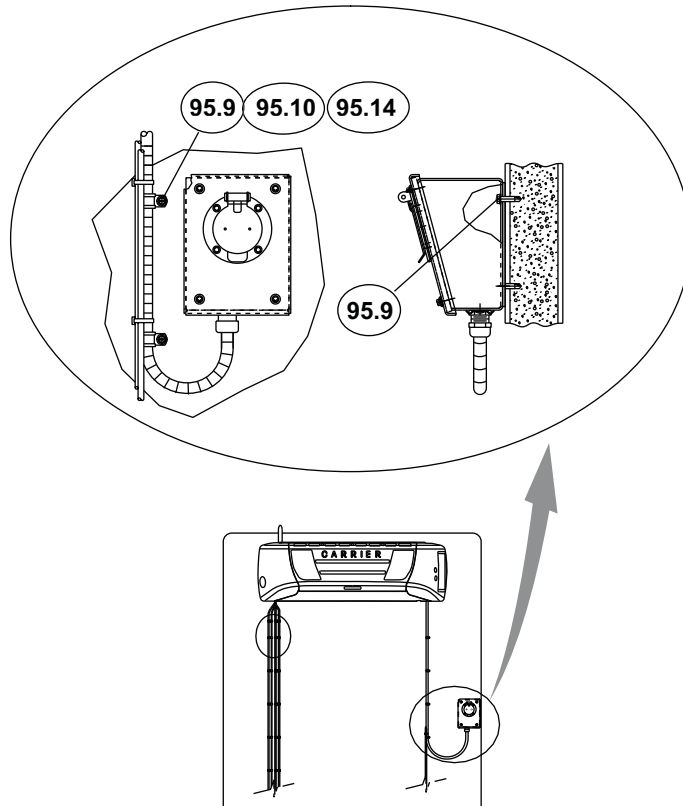


**Battery Cable and MP+ Cable Termination**



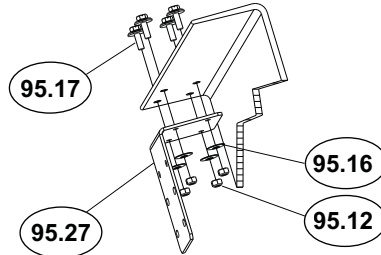
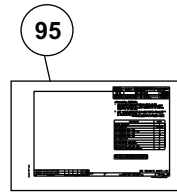
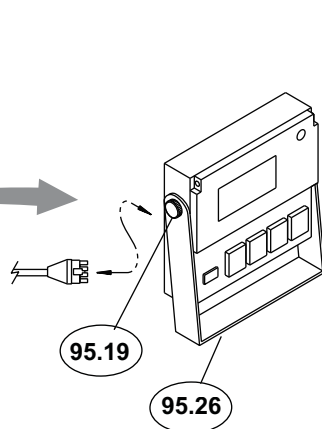
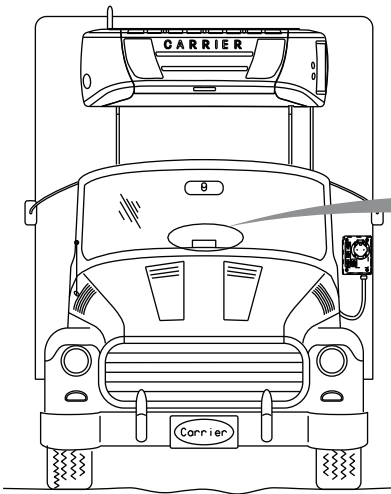
**95.2 Fuel Pump, Electric, Connector**

# Mounting Kit - Units with Standby

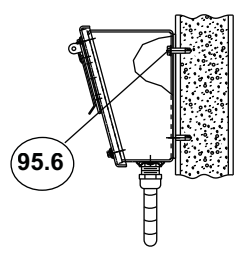
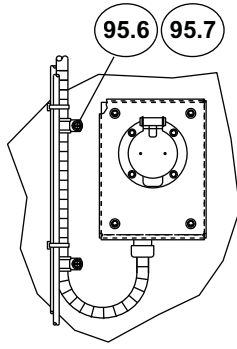
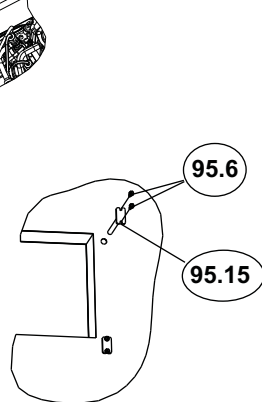
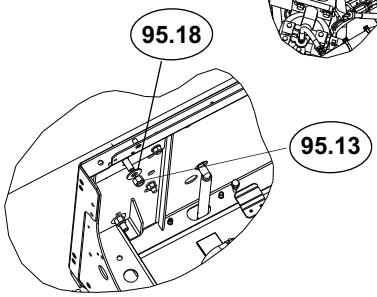
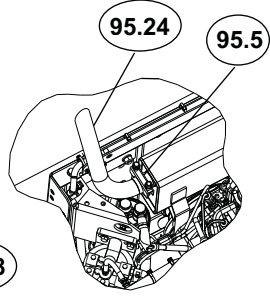
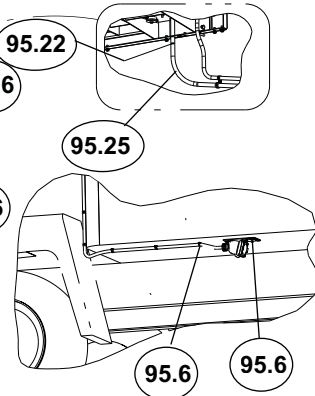
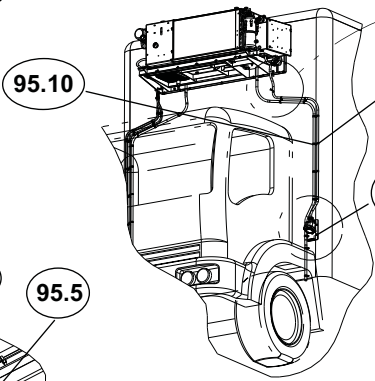
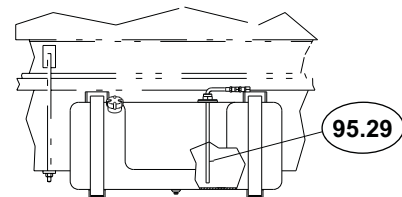
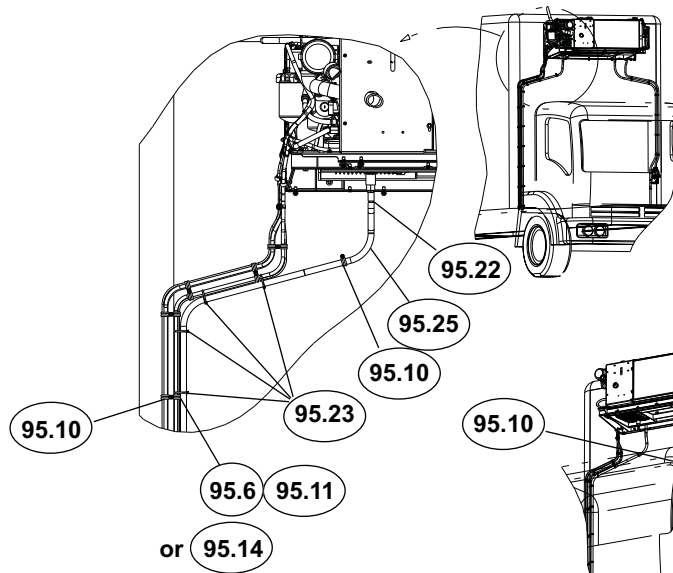


Item Number	Part Number	Part Description	Quantity
		Mounting Kit, 230V/60HZ - Includes:	
95	98-03352-00	Installation Instructions, 230V/60HZ	1
95.1	22-00819-02	Terminal, Battery Cable, 2 AWG x 3/8, Stud	2
95.2	30-01108-03	Pump, Fuel, Electric, Connector	1
95.2.1	30-01108-23	Bowl, Fuel Pump	1
95.2.2	30-01108-22	Gasket, Fuel Bowl	1
95.2.3	30-01108-20	Filter, Fuel Pump, 70 Micron	1
95.2.4	22-02392-00SV	Connector, 2 Wire, Mates with 22-01585-00SV	1
95.3	22-02324-02	Bushing, .177 ID, 8AWG	5
95.4	22-02324-11	Bushing, .138 ID, 10AWG	5
95.5	22-01327-02	Tube, Heat Shrink	1
95.6	22-02915-00	Harness, Fused Micro	1
95.6.1	22-50078-22	Holder, Fuse	1
95.6.2	22-50078-23	Cover, Fuse Holder	1
95.6.3	22-02336-02	Fuse, 5A	1
95.7	30-01052-03	Clamp, U-Bolt, 3/8-16 x 1.50, Diameter	1
95.8	34-00373-07	Clamp, Tube, 0.62 Diameter, Cushioned	6
95.9	34-01276-08	Screw, Hex Washer Head, 1/4 x 1.00, Self-Tapping	50
95.10	34-00373-05	Clamp, Tube, 0.50 Diameter, Cushioned	20
95.11	34-00373-51	Clamp, Tube, 0.25 Diameter, Cushioned	30
95.12	34-00373-53	Clamp, Tube, 0.38 Diameter, Cushioned	20
95.13	34-00373-61	Clamp, Tube, 0.88 Diameter, Cushioned	20
95.14	34-00373-65	Clamp, Tube, 1.12 Diameter, Cushioned	6
95.15	34-00373-59	Clamp, Tube, 0.75 Diameter, Cushioned	20
95.16	34-01184-56	Nut, Lock, M6 Nylock	6
95.17	34-00361-15	Nut, Self-Locking, 1/2-13	4
95.18	34-00928-13	Rivet, Blind, .187 Diameter	10
95.19	34-01235-04	Bolt, T-Head, 1/2-13, UNRC 2A	4
95.20	34-60002-06	Washer, M6 Belleville	8
95.21	34-01266-20	Screw, Hex Head, Sems, M6 x 20mm, Slotted	6
95.22	34-00366-15	Washer, Plain, 1/2	4
95.23	34-60005-00	Screw, Thumb, M4 x 8mm, Black Zinc	2
95.24	40-00343-07	Connector, Male, 3/8 Tube x 1/8 NPTE	1
95.25	40-00342-02	Elbow, Male, 3/8 Tube x 1/8 NPTE	2
95.26	40-01167-00	Fitting, Water Drain	2
95.27	58-00079-02	Sta-Strap, Cable Clamp, 0-1.75 Diameter	50
95.28	30-60018-00	Exhaust Pipe, Supra	1
95.29	58-01286-02	Hose, 16 x 22, Plastic	1
95.30	68-60059-02	Bracket, Mounting	1
95.31	68-60343-00	Bracket, Pump	1
95.32	62-04056-00	Decal, Model Info	1
95.33	65-01091-00	Tube, Pickup, Fuel Tank	1

# Mounting Kit - Units without Standby

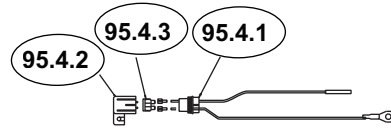
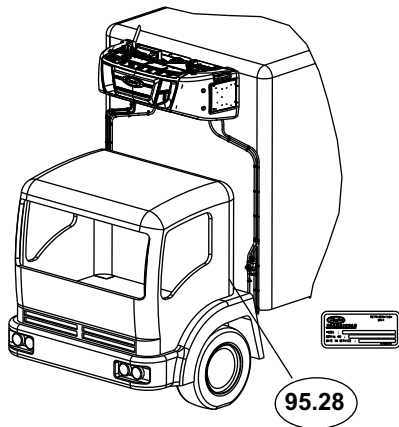


## Fuel Pump Mounting Bracket

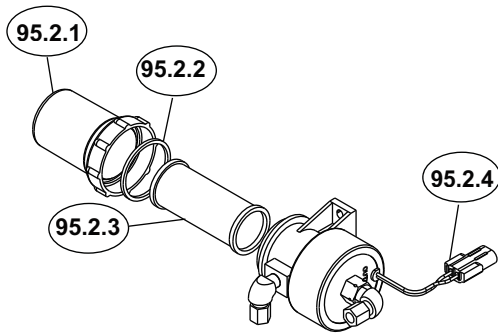


## Inside Truck Body

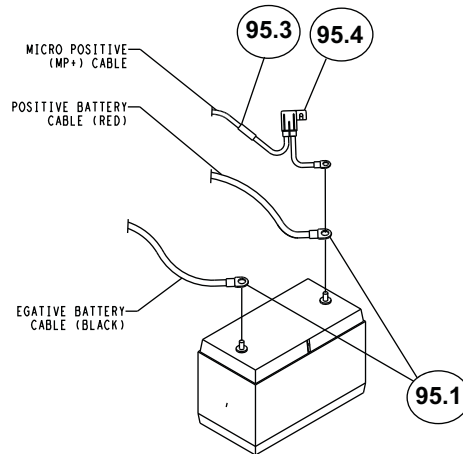
# Mounting Kit - Units without Standby



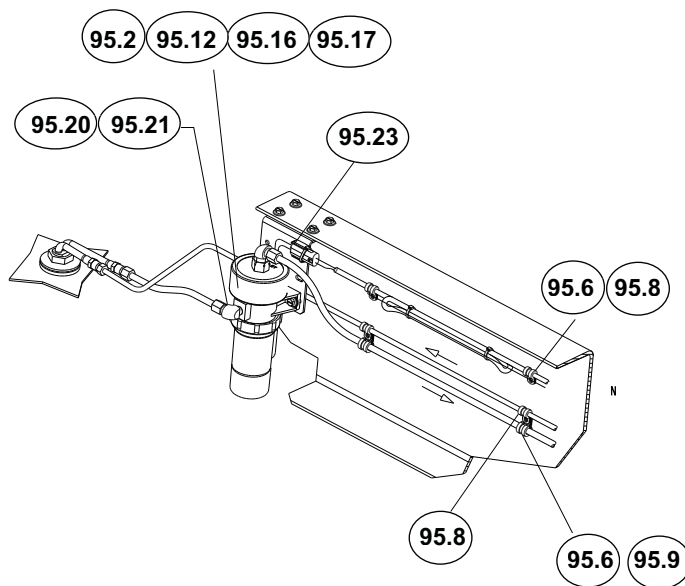
**Fused Micro Harness**



**95.2 Fuel Pump, Electric, Connector**



**Battery Cable and MP+ Cable Termination**

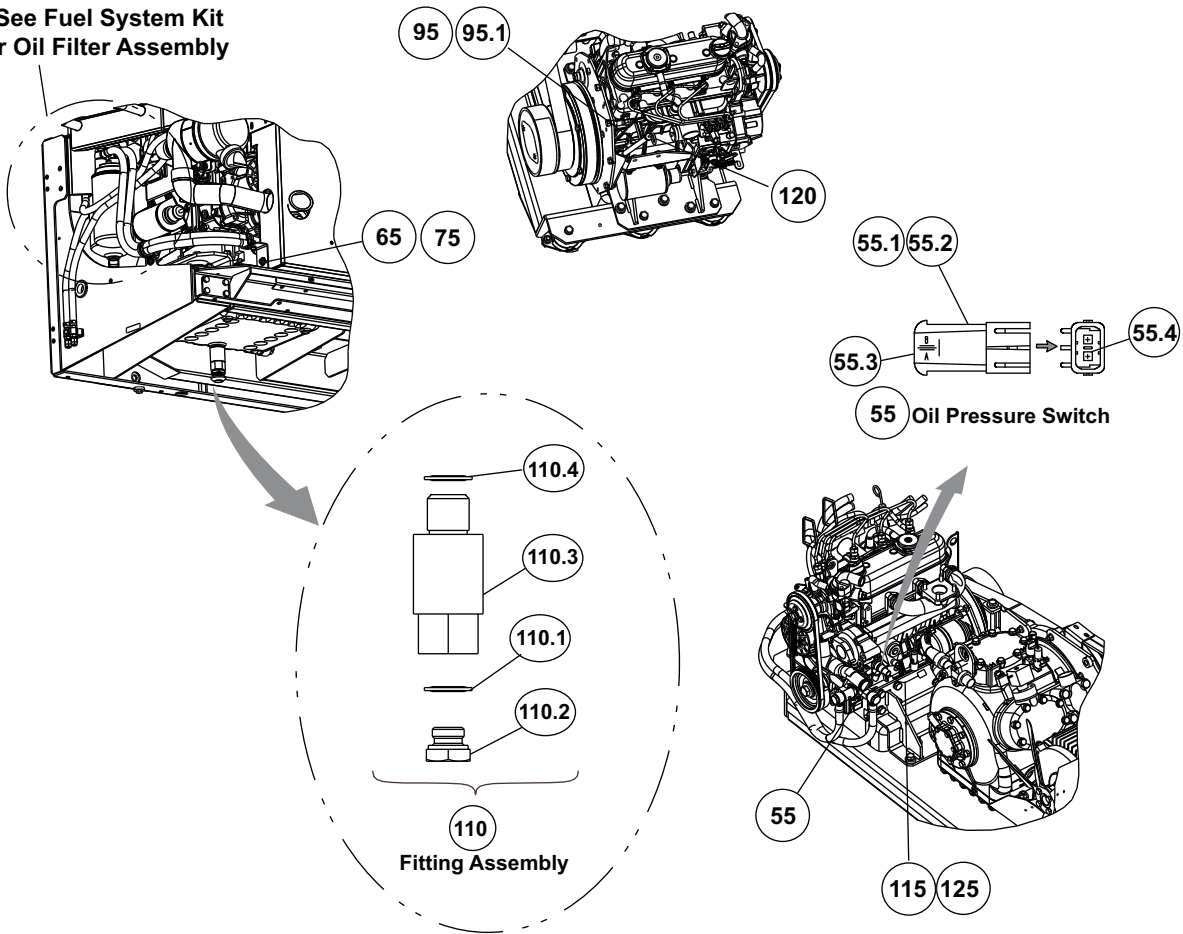




Item Number	Part Number	Part Description	Quantity
		Mounting Kit, Units without Standby - Includes:	
95	98-03352-02	Installation Instructions, No Standby - Includes:	1
95.1	22-00819-02	Terminal, Battery Cable, 2 AWG x 3/8, Stud	2
95.2	30-01108-03	Pump, Fuel, Electric, Connector - Includes:	1
95.2.1	30-01108-23	Bowl, Fuel Pump - Includes:	1
95.2.2	30-01108-22	Gasket, Fuel Bowl	1
95.2.3	30-01108-20	Filter, Fuel Pump, 70 Micron	1
95.2.4	22-02392-00SV	Connector, 2 Wire, Mates with 22-01585-00SV	1
95.3	22-01327-02	Tube, Heat Shrink	1
95.4	22-02915-00	Harness, Fused Micro - Includes:	1
95.4.1	22-50078-22	Holder, Fuse	1
95.4.2	22-50078-23	Cover, Fuse Holder	1
95.4.3	22-02336-02	Fuse, 5A	1
95.5	30-01052-03	Clamp, U-Bolt, 3/8-16 x 1.50 Diameter	1
95.6	34-01276-08	Screw, Hex Washer Head, 1/4 x 1.00, Self-Tapping	50
95.7	34-00373-05	Clamp, Tube, 0.50 Diameter, Cushioned	30
95.8	34-00373-51	Clamp, Tube, 0.25 Diameter, Cushioned	30
95.9	34-00373-53	Clamp, Tube, 0.38 Diameter, Cushioned	20
95.10	34-00373-61	Clamp, Tube, 0.88 Diameter, Cushioned	20
95.11	34-00373-59	Clamp, Tube, 0.75 Diameter, Cushioned	20
95.12	34-01184-56	Nut, Lock, M6 Nylock	6
95.13	34-00361-15	Nut, Self-Locking, 1/2-13	4
95.14	34-00928-13	Rivet, Blind, .187 Diameter	10
95.15	34-01235-04	Bolt, T-Head, 1/2-13, UNRC 2A	4
95.16	34-60002-06	Washer, M6 Belleville	8
95.17	34-01266-20	Screw, Hex Head, Sems, M6 x 20mm, Slotted	6
95.18	34-00366-15	Washer, Plain, 1/2	4
95.19	34-60005-00	Screw, Thumb, M4 x 8mm, Black Zinc	2
95.20	40-00343-07	Connector, Male, 3/8 Tube x 1/8, NPTE	1
95.21	40-00342-02	Elbow, Male, 3/8 Tube x 1/8 NPTE	2
95.22	40-01167-00	Fitting, Water Drain	2
95.23	58-00079-02	Sta-Strap, Cable Clamp, 0 - 1.75 Diameter	50
95.24	30-60018-00	Exhaust Pipe	1
95.25	58-01286-02	Hose, 16 x 22, Plastic	1
95.26	68-60059-02	Bracket, Mounting	1
95.27	68-60343-00	Bracket, Pump	1
95.28	62-04056-00	Decal, Model Info	1
95.29	65-01091-00	Tube, Pickup, Fuel Tank	1

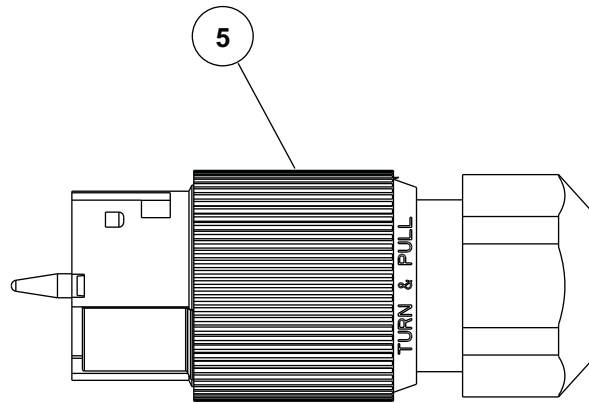
## Oil Filter Assembly

See Fuel System Kit  
for Oil Filter Assembly



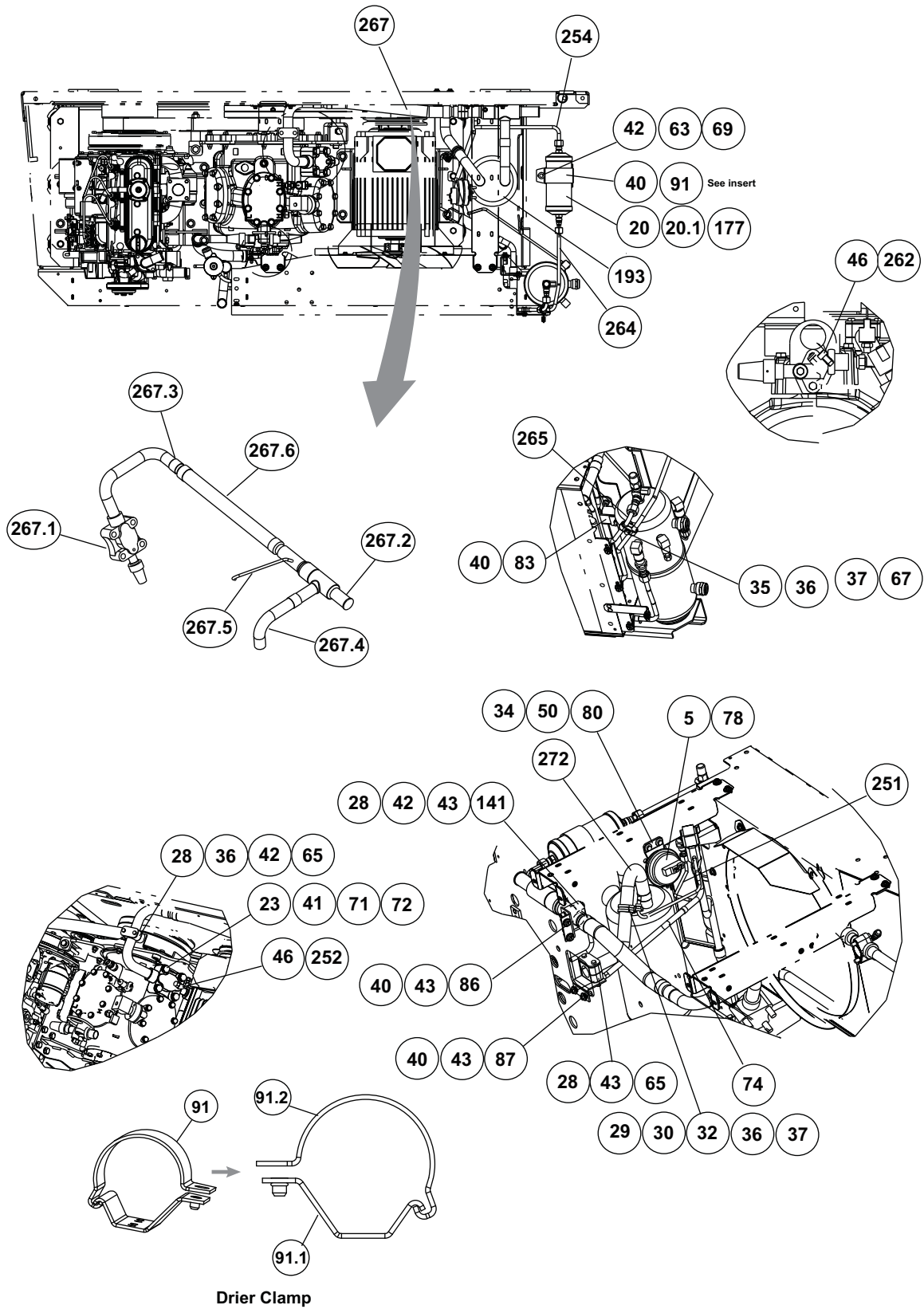
Item Number	Part Number	Part Description	Quantity
		Oil Filter Assembly - Includes:	
55	12-00592-01	Switch, Pressure Oil - Includes:	1
55.1	22-50078-01	Connector, Male, 2-Pin	1
55.2	22-50078-01A	Secondary Lock	1
55.3	22-02394-00	Seal, Cable	2
55.4	22-50078-47A	Terminal, Male	2
65	34-01266-20	Screw, Hex Head, Sems M6 x 20mm, Slotted	1
75	67-01079-00	Bracket, Tube	1
95	79-60522-00	Tube Assembly - Includes:	1
95.1	42-00243-07	O-Ring, 0.35 x 0.50	1
110	79-60704-01	Fitting Assembly - Includes:	1
110.1	42-60025-00	Seal, Bonded	1
110.2	48-60127-00	Plug, Male, M16 x 1.5	1
110.3	48-60445-01	Fitting, Supra	1
110.4	42-60025-01	Seal, Bonded	1
115	58-00858-00	Tube, Slit, 1/4, Bulk Corrugated	0.46
120	30-60081-00	Gauge, Oil	1
125	58-00079-02	Sta-Strap, Cable Clamp, 0 - 1.75 Diameter	2

## Standby Plug Kit (Multi-Temp Only)

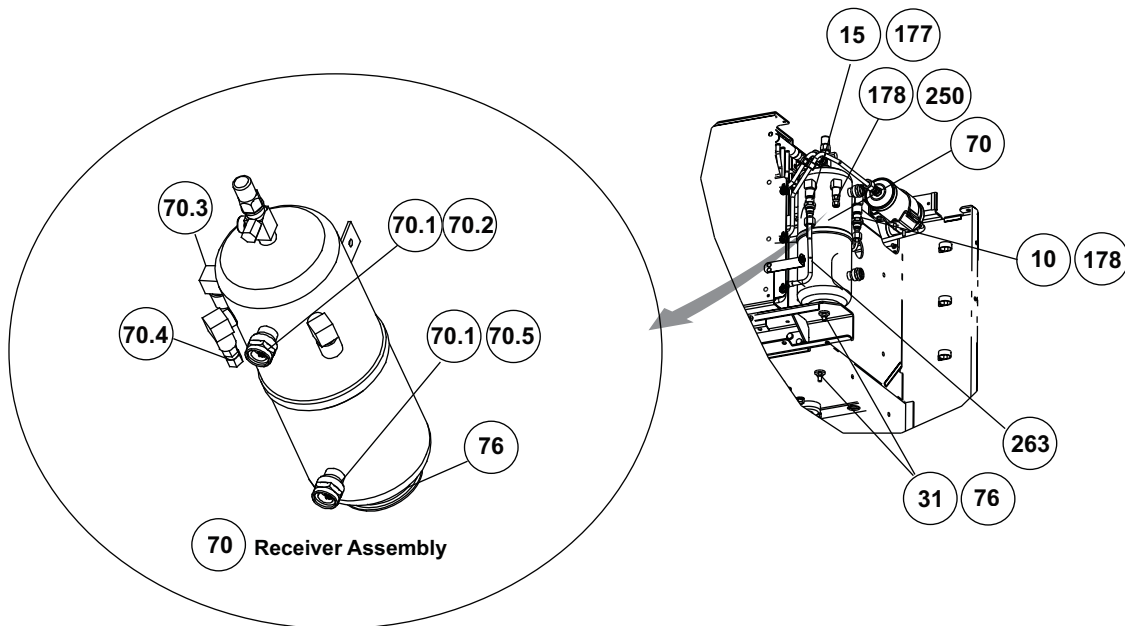


Item Number	Part Number	Part Description	Quantity
	76-02007-00	Standby Plug Kit, 230V - Includes:	
5	22-02977-00	Plug, Female, 250V, 50A, 3-Phase	1
NS	22-02324-01	Bushing, 0.142 x 0.472, 10 AWG	4
NS	22-02324-02	Bushing, 0.177 x 0.59, 8 AWG	4

# Refrigerant Kit



## Refrigerant Kit

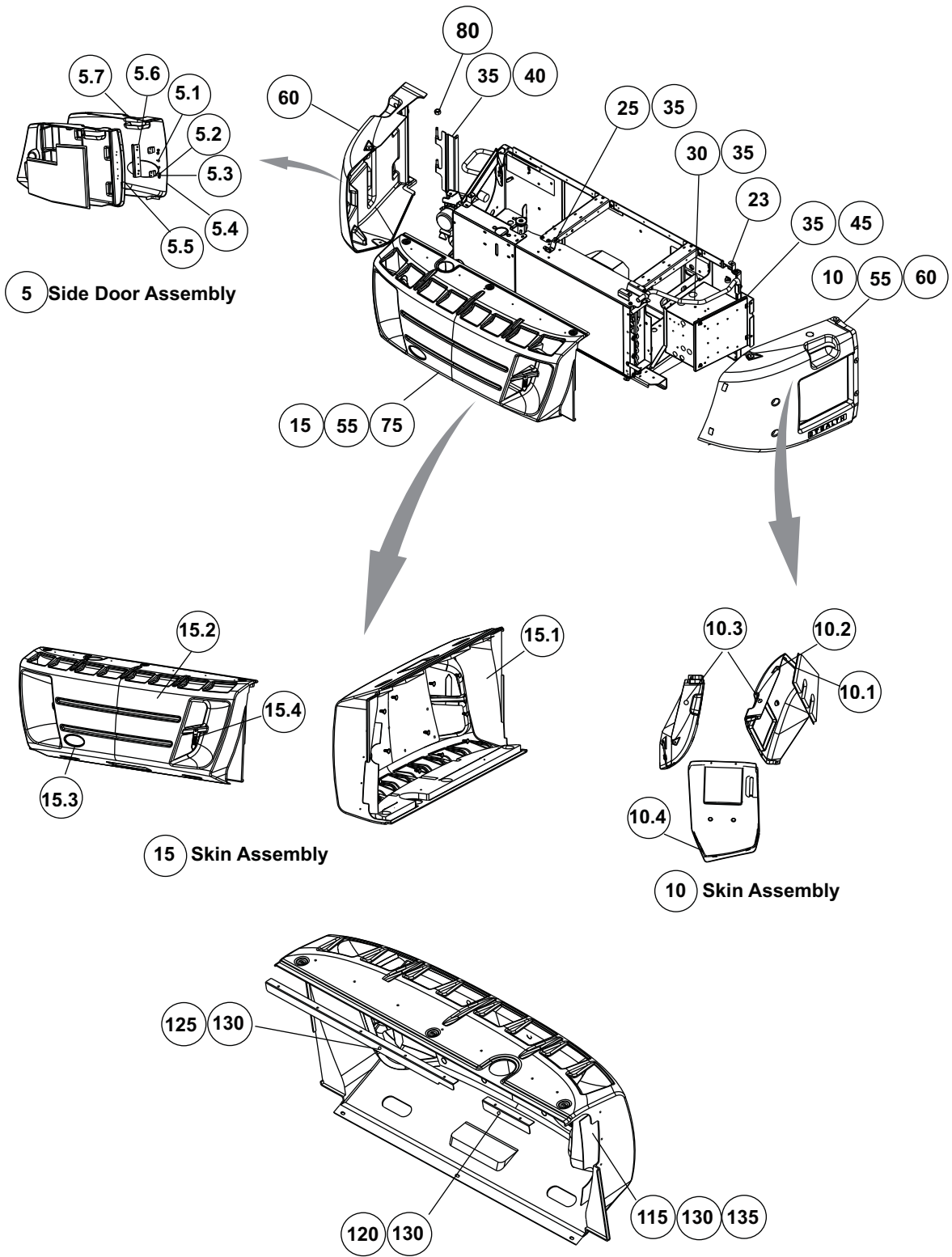


See Condenser Kit for parts for the 3-Way Valve

Item Number	Part Number	Part Description	Quantity
		Refrigerant Kit - Includes:	
5	12-01039-03	Switch, Air, 1.00 +/- .07", W.G.	1
10	14-60026-00	Check Valve, 1/4 M, ORS	1
15	14-60026-01	Check Valve, 3/8 M, ORS	1
20	14-00326-03	Filter Drier, 3/8 ORS - Includes:	1
20.1	42-00243-10	O-Ring, 0.31 x 0.44	7
23	34-00308-19	Screw, Cap, Hex Head, 1/2-13 x 2.75	4
28	34-00967-60	Screw, Cap, Hex Head, M6 x 60mm, 2.362	6
29	34-00373-15	Clamp, Tube, 1.12 Diameter, Cushioned	1
30	34-00373-51	Clamp, Tube, 0.25 Diameter, Cushioned	1
31	34-01249-25	Spacer	2
32	34-01152-16	Screw, Cap, Hex Head, M6 x 16mm, 0.629	1
34	34-01152-20	Screw, Cap, Hex Head, M6 x 20mm, 0.787	2
35	34-01152-30	Screw, Cap, Hex Head, M6 x 30mm, 1.181	1
36	34-01184-106	Nut, Lock, M6 Nylock	4
37	34-60095-27	Washer, Lock, M6 x 14mm	4
40	34-01266-20	Screw, Hex Head, Sems, M6 x 20mm, Slotted	9
41	34-00944-12	Washer, Flat, M12	4
42	34-60002-06	Washer, M6	5
43	34-01314-24	Rivnut, Hex, M6	6
46	40-00086-04	Cap, Seal, 1/4 Female Flare	2

Item Number	Part Number	Part Description	Quantity
50	34-60095-46	Washer, Lock, M6 x 18mm	2
63	34-01249-20	Spacer	1
65	44-00285-61	Clamp, Tube, 1-1/8, 3 Pieces	2
67	44-60006-01	Clamp, Double, 9.5/9.5	1
69	34-00967-25	Screw, Cap, Hex Head, M6 x 25mm, 0.984	1
70	65-60055-03	Receiver - Includes:	1
70.1	48-60205-00	Fitting, Valve, 1/2 BSP	2
70.2	14-00220-03	Sight Glass, 1/2-14 BSP	1
70.3	48-60283-00	Fitting, 3/8, -24 UNF	1
70.4	14-00272-01	Valve, Relief	1
70.5	14-00220-05	Sight Glass, 1/2-14 BSP	1
71	17-44141-00	Gasket, Suction, Valve	1
72	58-00869-00	Bag, Felt, Suction Filter	1
74	56-03925-00	Tube, Hot Gas, 1/2 OD	1
76	34-01184-58	Nut, Lock, M8 Nylock	2
78	34-00733-00	Nut, Hex, with Lockwasher, #10-32	2
80	68-60014-00	Bracket, Air, Switch	1
83	86-03178-00	Bracket Assembly, Receiver	1
86	68-08369-00	Support, Tube	1
87	68-08369-01	Support, Tube	1
91	79-60541-00	Clamp, Drier - Includes:	1
91.1	67-60361-00	Bracket, Drier	1
91.2	68-61934-00	Bracket, Drier	1
141	44-00285-76	Clamp, Tube, 1.18	1
177	42-00243-09	O-Ring, 0.364 x 0.504	4
178	42-00243-10	O-Ring, 0.301 x 0.441	4
193	65-60035-01	Accumulator	1
250	14-00272-01	Valve, Relief	1
251	82-01013-00	Tube, Equalizer	1
252	40-00102-04	Elbow, 90 Street, 1/4 MFL x 1/4 MPT	1
254	82-60217-00	Tube Assembly, 3/8 x 0.031W, Copper	1
262	40-00102-03	Elbow, 90 Street, 1/4 Flare x 1/8 NPT	1
263	82-01021-00	Tube Assembly	1
264	82-01014-00	Tube Assembly	1
265	82-01015-00	Tube Assembly	1
267	81-02562-03	Tube Assembly, Suction Line - Includes:	1
267.1	14-00171-01	Valve, Service, 1-1/8, Tube	1
267.2	14-00205-01	Valve, Evaporator, CPR	1
267.3	56-03709-00	Tube, Suction, 1-1/8 OD	1
267.4	56-03710-00	Tube, Suction, 1-1/8 OD	1
267.5	56-03922-00	Tube, 1/4 OD	1
267.6	73-60024-00	Vibrasorber, 1-1/8 x 1-1/8	1
272	56-03881-00	Tube, Suction, 1-1/8 OD	1

# Skins, Door Assembly



Item Number	Part Number	Part Description	Quantity
		Skins, Door Assembly - Includes:	
5	79-60478-06	Door Assembly - Includes:	1
5.1	34-00774-10	Rivet, Blind, 0.189 Diameter	2
5.2	34-60068-20	Screw, M6 x 20mm Long	4
5.3	44-60113-00	Hinge	2
5.4	58-60541-03	Door, Outside	1
5.5	58-60544-01	Door, Inside	1
5.6	67-60487-00	Bracket	1
5.7	62-61454-00	Decal, Safety	1
10	79-60599-02	Skin Assembly - Includes:	1
10.1	56-61458-00	Tube, Roadside, 10mm OD Steel	1
10.2	58-60550-20	Panel Skin, Control Box	1
10.3	62-61454-00	Decal, Safety	1
10.4	58-60700-00	Stiffener, Door	4
15	79-60799-04	Skin Assembly - Includes:	1
15.1	58-60855-00	Panel, Front	1
15.2	62-61648-00	Logo, Carrier	1
15.3	34-60263-08	Washer, Quicklock	4
15.4	62-03905-00	Decal, Air Flow Indicator	1
23	67-01064-02	Bracket, Mounting, Door, Top, Roadside	1
25	67-01056-00	Bracket, Mounting, Front Grille, Center	1
30	86-61073-00	Channel Assembly	1
35	34-01266-20	Screw, Hex Head, Sems, M6 x 20mm, Slotted	8
40	44-01178-00	Hinge	1
45	67-01048-00	Bracket, Mounting, Door, Side, Roadside	1
55	34-01266-25	Screw, Cap, Hex Head, M6 25mm, 1.0	8
60	58-60681-00	Washer, Nylon, M6 - 30	5
75	58-60306-06	Washer, Nylon, M6 - 18	3
80	34-01184-58	Nut, Lock, M8	1
115	58-60603-00	Deflector	1
120	68-61980-01	Angle	1
125	68-61980-00	Angle	1
130	34-00774-13	Rivet, Blind, 0.189 Diameter	11
135	34-01331-05	Washer, Flat, M5	4



North America  
Carrier Transicold  
700 Olympic Drive  
Athens, GA 30601 Usa  
Phone: 1-706-357-7223  
Fax: 1-706-355-5435

Central America  
and Mexico  
Ejercito Nacional 253-A Piso 5  
Colonia Anahuac  
11320 Mexico, D.F.  
Phone: 5531501 0  
Fax: 5531501 0 ext. 1005



**United  
Technologies**

**Building & Industrial Systems**

Carrier Transicold Division  
Carrier Corporation  
P.O. Box 4805  
Syracuse, NY 13221 USA

[www.carrier.transicold.com](http://www.carrier.transicold.com)



A member of the United Technologies Corporation family. Stock symbol - UTX  
©2017 Carrier Corporation - Printed in U.S.A. - 03/17