

## SS38 ROMAN SHADE SYSTEM

The SS38 Roman Shade System offers an elegant square profile, housing new operating mechanisms designed for efficient and smooth operation.

### AESTHETICAL FEATURES

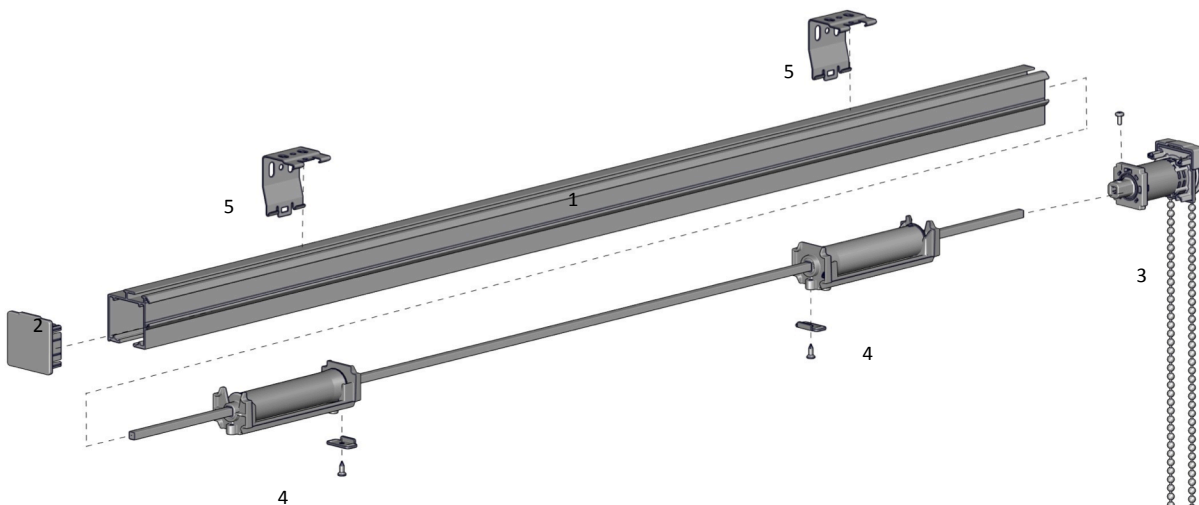
- Contemporary slimline aluminium profile.
- End covers for a neat overall finish.

### PRODUCTION / ASSEMBLY FEATURES

- Low profile non-obtrusive mounting clips.
- Optional spline or hook and loop touch tape fabric attachment.
- Effortless installation.

### FUNCTIONAL BENEFITS

- Smooth and quiet operation.
- Guided spool system.
- Straight drop and up to 30 degree angled applications.



## SYSTEM INDEX

1	SS38 Head Rail [incl. crimp tape + rod] SS38-0130-xxx580
2	SS38 Head Rail End Cap SS38-0120-xxx040
3	SS38 Drive Unit SS38-0420-069051 - Planetary Drive SS38-0411-069051 - Direct Drive
4	SS38 Spool cone [incl. 4m of 1.4 mm white cord & clamp] SS38-8341-580451
5	SS38 Low Profile Mounting Clip SS38-02120-069034

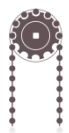
## COLOR RANGE



pure white 069

## CHAIN CONTROL OPTIONS

Planetary Drive [3.5:1]



Direct Drive [1:1]



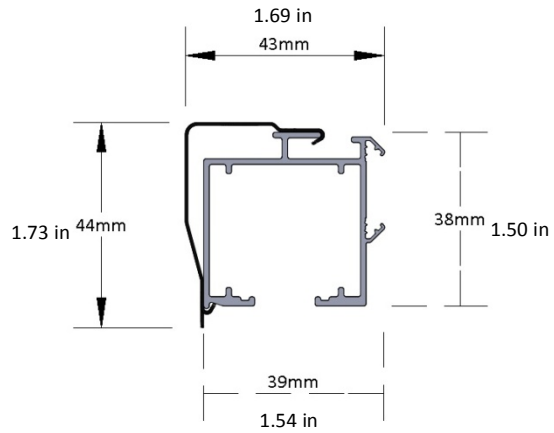
Chainhold



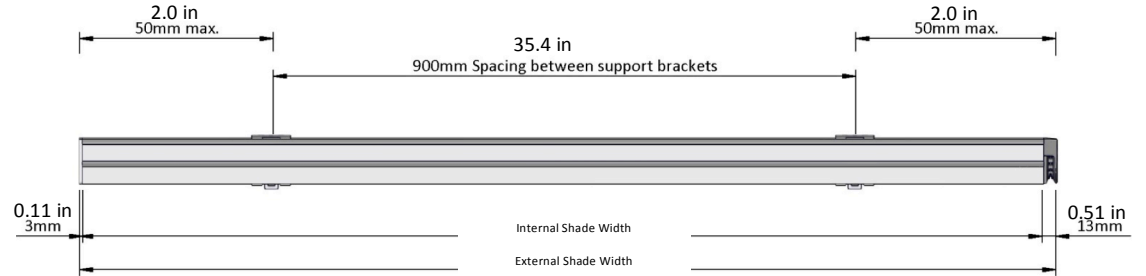
SPECIFICATIONS

PROFILE DIMENSIONS

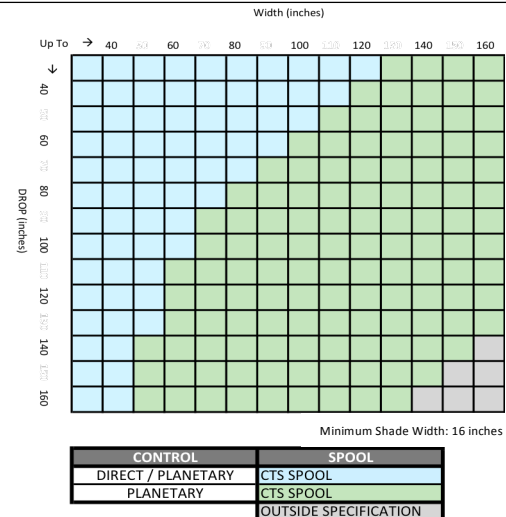
LOW PROFILE MOUNTING CLIP



DEDUCTION



SYSTEM CAPACITY



Parameters

Fabric Density: 5 ounces/square yard – medium weight sheer  
 Weight Bar: No Sew Roman Bar by Rollease Acmeda