

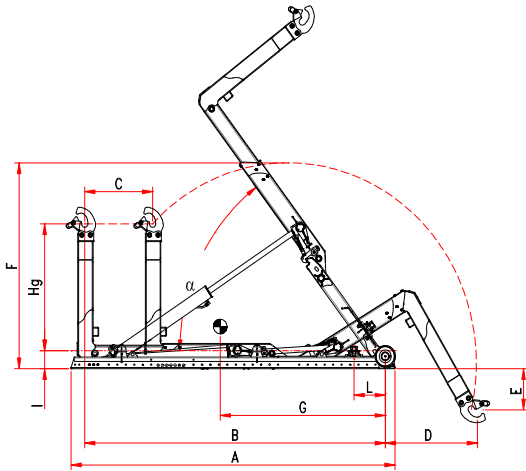


b.o.b. Sistemi Idraulici S.p.A.

**unilift®**

COMPANY WITH  
QUALITY SYSTEM  
CERTIFIED BY DNV GL  
= ISO 9001 =

**HOOKLIFT « T 22.000 MS »**



MODEL	T 22.000 XXC MS	T 22.000 XC MS	T 22.000 C MS	T 22.000 N MS	T 22.000 NL MS	T 22.000 L MS	T 22.000 XL MS
<b>Hg</b>	53,88"/61,75" (1.369/1.569mm)	53,88"/61,75" (1.369/1.569mm)	53,88"/61,75" (1.369/1.569mm)	53,88"/61,75" (1.369/1.569mm)	53,88"/61,75" (1.369/1.569mm)	53,88"/61,75" (1.369/1.569mm)	53,88"/61,75" (1.369/1.569mm)
<b>A</b>	146,85" (3.730 mm)	150,78" (3.830 mm)	158,66" (4.030 mm)	170,44" (4.330 mm)	178,34" (4.530 mm)	186,22" (4.730 mm)	200" (5.080 mm)
<b>B</b>	131,88" (3.350 mm)	139,76" (3.550 mm)	147,63" (3.750 mm)	159,44" (4.050 mm)	137,32" (4.250 mm)	175,19" (4.450 mm)	181,1" (4.600 mm)
<b>C</b>	27,55" (700 mm)	31,5" (800 mm)	31,5" (800 mm)	31,5" (800 mm)	31,5" (800 mm)	31,5" (800 mm)	39,37" (1.000 mm)
<b>D</b>	46,45" (1.180 mm)	42,51" (1.080 mm)	34,64" (880 mm)	45,66" (1.160 mm)	37,79" (960 mm)	29,92" (760 mm)	58,26" (1.480 mm)
<b>E</b>	19,29" (490 mm)	19,29" (490 mm)	19,29" (490 mm)	19,29" (490 mm)	19,29" (490 mm)	19,29" (490 mm)	9,93" (100 mm)
<b>F</b>	89,76" (2.280 mm)	89,76" (2.280 mm)	89,76" (2.280 mm)	99,6" (2.530 mm)	99,6" (2.530 mm)	99,6" (2.530 mm)	113,38" (2.880 mm)
<b>G</b>	73,22" (1.860 mm)	76,77" (1.950 mm)	83,07" (2.110 mm)	88,97" (2.260 mm)	94,09" (2.390 mm)	99,21" (2.520 mm)	97,63" (2.480 mm)
<b>I</b>	7,87" (200 mm)	7,87" (200 mm)	7,87" (200 mm)	7,87" (200 mm)	7,87" (200 mm)	7,87" (200 mm)	8,66" (220 mm)
<b>L</b>	10,62" (270 mm)	14,56" (370 mm)	22,44" (570 mm)	18,5" (470 mm)	26,37" (670 mm)	26,37" (670 mm)	19,68" (500 mm)
<b>Weight*</b>	2.585 lb (1.175 Kg)	2.640 lb (1.200 Kg)	2.695 lb (1.225 Kg)	2.785 lb (1.265 Kg)	2.840 lb (1.290 Kg)	2.895 lb (1.315 Kg)	3.670 lb (1.665 Kg)
<b>a</b>	55°	53°	50°	53°	49°	45°	55°
<b>Container min. max.</b>	12' - 13' (3.657-3.962 mm)	12' - 14' (3.657-4.267 mm)	13' - 15' (3.962-4.572 mm)	13' - 16' (3.962-4.876 mm)	14' - 16' (4.267-4.876 mm)	14' - 17' (4.267-5.181 mm)	14' - 17' (4.267-5.181 mm)
<b>LIFTING CAPACITY</b>	22.000 lb (10.000 Kg)	22.000 lb (10.000 Kg)	22.000 lb (10.000 Kg)	22.000 lb (10.000 Kg)	22.000 lb (10.000 Kg)	22.000 lb (10.000 Kg)	22.000 lb (10.000 Kg)
<b>TIPPING CAPACITY</b>	22.000 lb (10.000 Kg)	22.000 lb (10.000 Kg)	22.000 lb (10.000 Kg)	22.000 lb (10.000 Kg)	22.000 lb (10.000 Kg)	22.000 lb (10.000 Kg)	22.000 lb (10.000 Kg)

**\*Weight: basic hooklift weight without kit and options**

The technical details shown in this sheet are indicative and can be changed by the builder without prior notice

**B.O.B. Sistemi Idraulici S.p.A.** – Regione Oltre Rea, 32 – 12060 Monchiero (CN) - Italia

P. I.V.A. 00496180043 - Tel.: +39 (0173) 780002/3 – Fax: +39 (0173) 780004

Internet: [www.bobspa.com](http://www.bobspa.com) - E-mail: [info@bobspa.com](mailto:info@bobspa.com)