

Lang ACDR U.S. Patent #1 (99 Claims)

U.S. Patent

Jan. 2, 2001

Sheet 3 of 17

US 6,167,829 B1

Low Drag, High Speed Ship

Lang ACDR U.S. Patent #2 (93 Claims)

U.S. Patent

Aug. 27, 2002

Sheet 1 of 17

US 6,439,148 B1

Low Drag, High Speed Ship

Both patents use the same set of drawings

FIG. 1

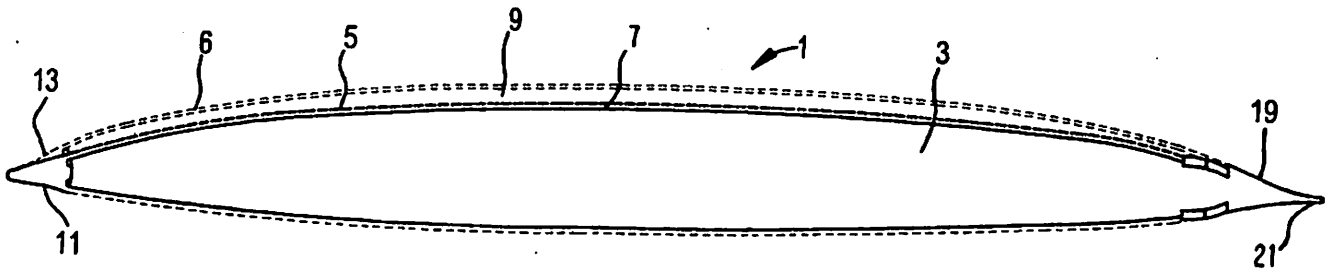


FIG. 10

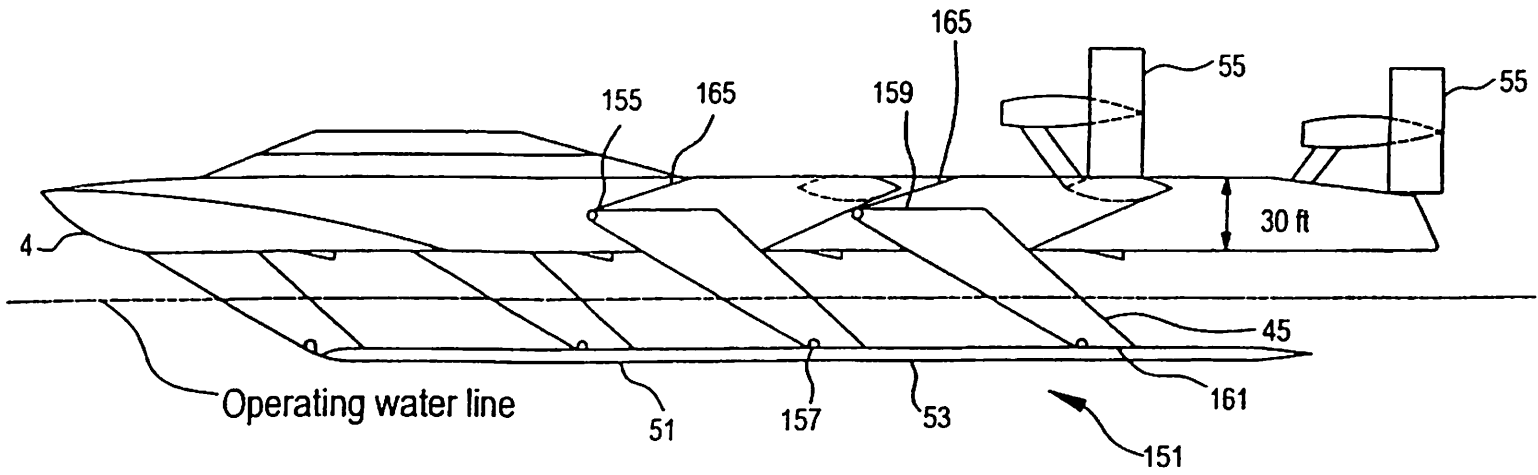


FIG. 18B

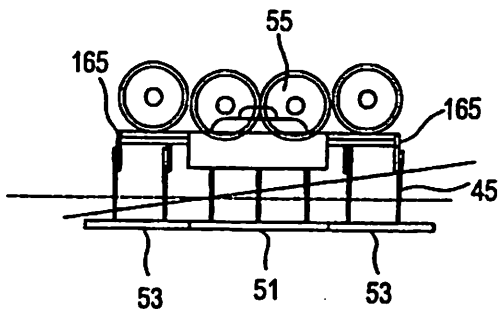


FIG. 18C

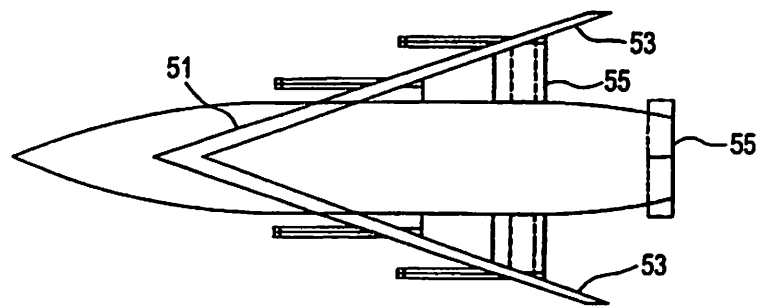


FIG. 44A

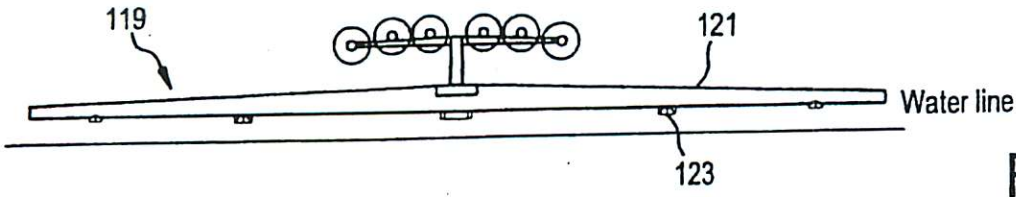


FIG. 44B

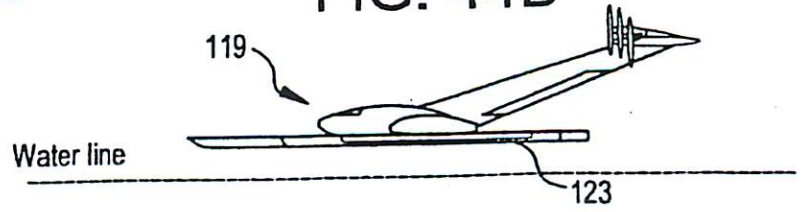


FIG. 44C

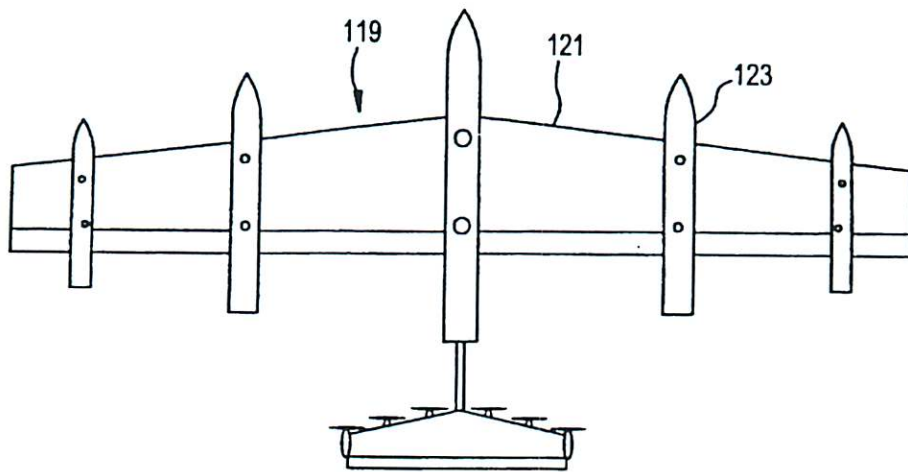


FIG. 44D

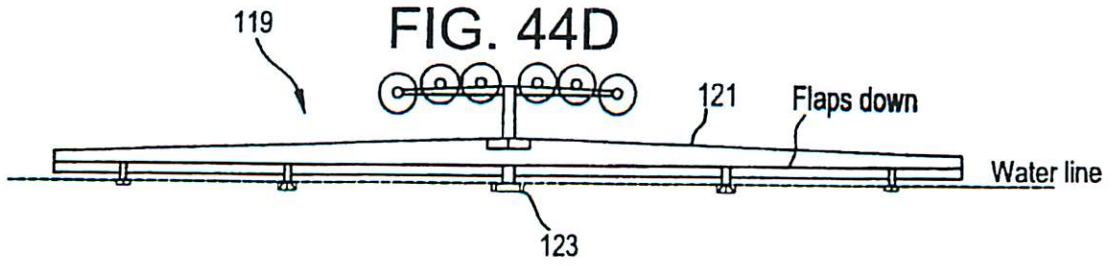


FIG. 44E

